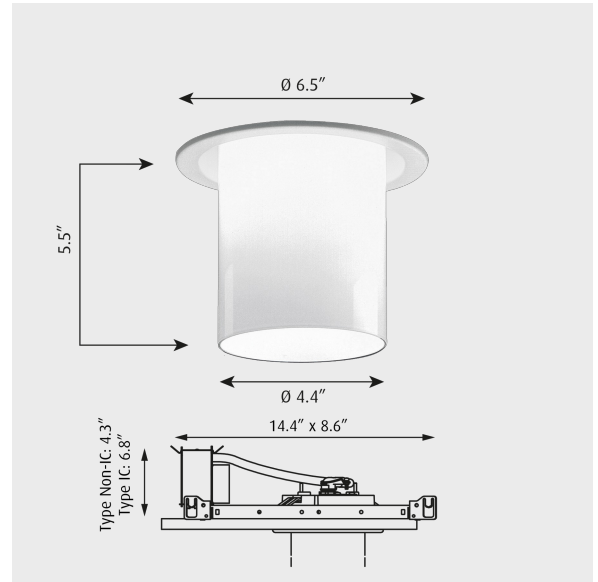


BALLERUP

Project name:

Project type:

Notes:



Design

C. J. Nørgaard Pedersen & P. Hougaard Nielsen

Product description

Recessed downlight with a three layer handblown clear and white glass cylinder trim. The 4.4" diameter by 5.5" high glass cylinder provides soft light for both the ceiling and space. The position of the LED is recessed above the ceiling which significantly reduces the angle of glare. The Ballerup is easily paired with the smaller Ballerup Mini.

Variant options

Mounting	Light source	Lumen	Voltage frequency
Type ic	LED 3000K 16W	1018	120-277V/60HZ
Type non-ic	LED 3500K 16W	1040	

Light description

Round symmetrical light distribution with low glare and reflected light through the glass illuminates the adjacent ceiling. LED is recessed above ceiling to reduce angle of direct view. Aluminum reflector with matte finish for flood beam angle. Standard CCT is 3000K or 3500K, IC or non-IC housing, 0-10V driver.

Mounting

Mounting frame with extendable hanger bars to be installed prior to closing the ceiling. Ceiling cutout is a 5.6" diameter in ceiling up to 1" in thickness. Mounting frame is 14.4" x 8.6". Non-IC height is 4.3" above ceiling, and IC is 6.8". Hanger bar length 14" to 24". Junction box allows pass through wiring and has knockouts for 1/2" trade size conduit.

Finishing Section is a replaceable electrical assembly which includes LED, heatsink, and electronic LED driver for 120-277V operation and 0-10V dimming control. The Finishing Section connects to Mounting Frame (Rough-in Section) with a 5-pole tool-less quick connector and can be removed through the ceiling cutout. Heat sink mounted with two retractable tabs actuated by screws driven from below ceiling. Glass trim attaches to the heat sink by steel ring with tabs that engage with a twist-lock mechanism. Trim is 5.5" tall with 4.4" glass cylinder and a 6.5" diameter metal trim.

Information

Electrical:
 System Wattage: 16W
 LED Wattage: 14 W
 Delivered lumens: 1,018- 1,040
 Efficacy: 64 lm/W - 65 lm/W
 Certifications:
 cULus, Damp Location
 Protection class IP20
 Controllability: 0-10V Dimming
 Color Rendering: Ra≥90

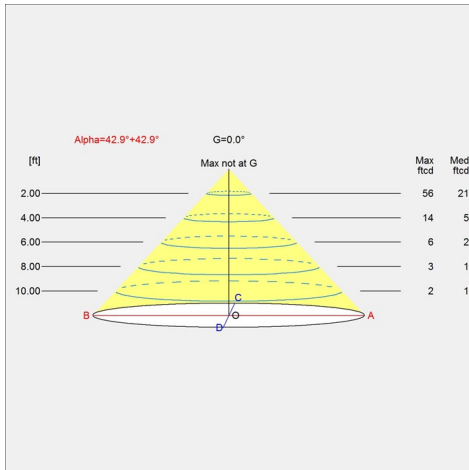
Finish

White

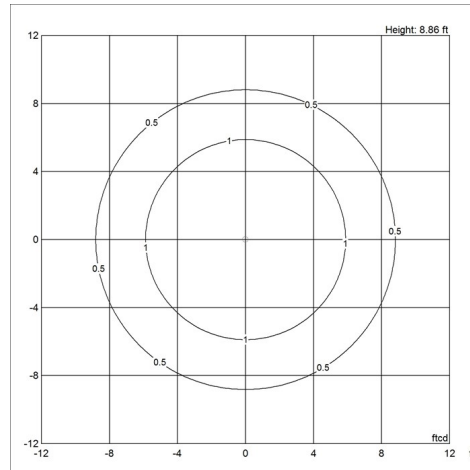
Light distribution diagrams

For the full data set on all variants, see louispoulsen.com.

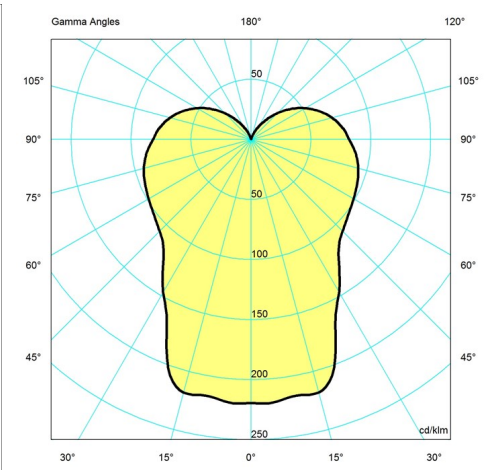
Cartesian



Isolux



Polar



Material

Mounting frame and hanger bars are stamped galvanized steel, 0.04" thick. Heat sink is die-cast aluminum with matte white finish and forms the ceiling flange. LED enclosure: Injection molded high-transmittance white polycarbonate. Glass cylinder is three-layered, glossy, opal white, handblown glass 0.2" thick. Standard finish is matte surface powder coat with minimum 2 mils thickness in white.

Weight

Min: 8.001 lbs Max: 8.058 lbs

Other functions

Alternative finishes. LED in 2700K, 4000K and 5000K . Alternative dimming controls. Lower Wattages. Tunable white system.

Voltage

120-277V/60HZ

Variant options

Mounting	Light source	Lumen	Voltage frequency	Variant number
Type non-ic	LED 3000K 16W	1018	120-277V/60HZ	10000136675
Type ic	LED 3000K 16W	1018	120-277V/60HZ	10000136987
Type ic	LED 3500K 16W	1040	120-277V/60HZ	10000136988
Type non-ic	LED 3500K 16W	1040	120-277V/60HZ	10000136676