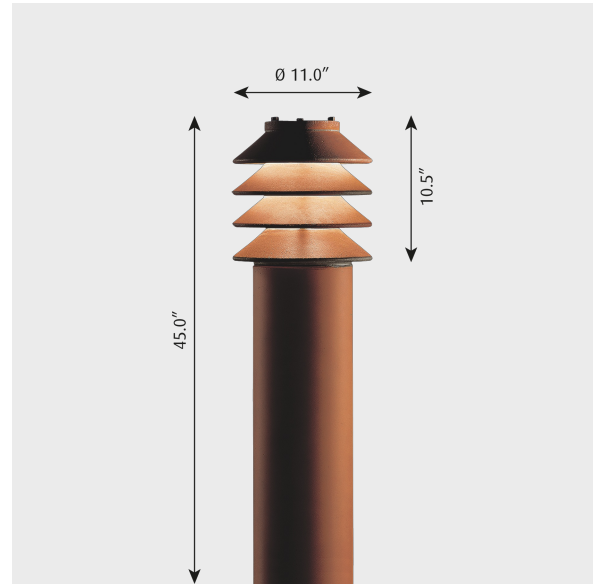


BYSTED

Project name:

Project type:

Notes:

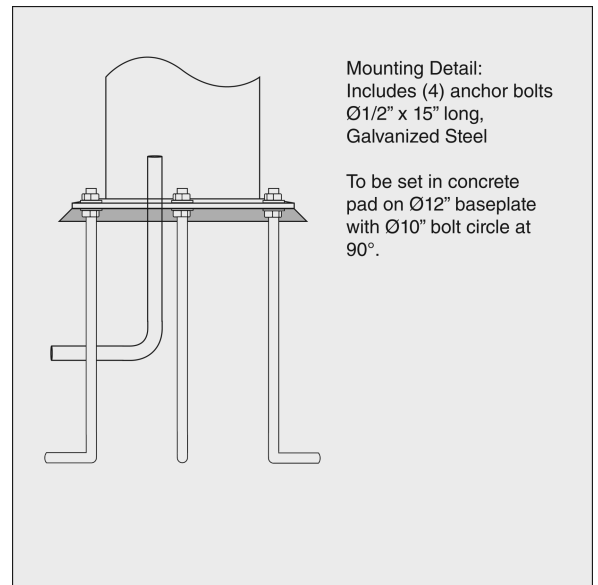


Design

Peter Bysted

Product description

Robust Cor-ten Cast Iron bollard which is protected by its naturally patinated rust color finish, providing its distinctive aesthetic. Light gently emanates through four "floating" conical iron shades. Internal clear diffuser combined with white undersides maximized light output. The oxidation of the materials gives a rough and rusty permanent appearance. The "living" surface makes the fixture adaptable into the natural surroundings.



Variant options

Light source

LED 3000K 29W

Voltage frequency

120-277V/60HZ

Light description

The luminaire emits symmetrical glare-free light directed downwards. The LED illuminates a series of conical louvers, ensuring uniform light. Features good, functional and pleasant lighting comfort. Form of the luminaire can be appreciated illuminated at night as well as during the daylight. Standard CCT in 3000K, controlled by electronic dimmable driver.

Mounting

Base plate dimension: 12" diameter. Base plate: Mounted to a concrete base with 4 anchor bolts on a bolt circle of 10" diameter. Anchor bolts to be embedded into a concrete foundation by others. Note: care must be taken to install the Bysted fixture in a drainage pit or in grass to prevent surface staining.

Information

Electrical:
 System Wattage: 29W
 LED Wattage: 27W
 Delivered lumens: 412 lm
 Efficacy: 14.2 lm/W
 Certifications:
 cULus, Wet Location
 Protection class IP44
 IK class 10
 BUG Rating: B0-U2-G1
 Controllability: 0-10V Dimming
 Min.-Max. Ambient Temp: -30°C to +40°C
 Color Rendering: Ra>80
 Please contact Louis Poulsen for 2700K, LED Replacement Kit and more info about supported Light Management Systems.

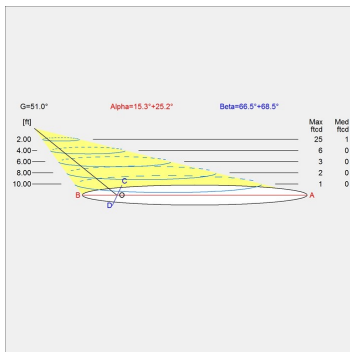
Finish

Corten steel

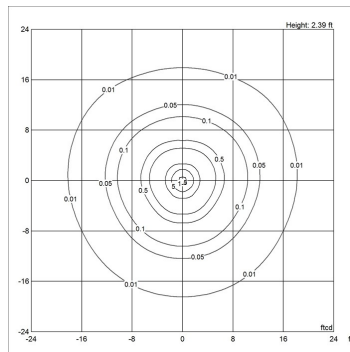
Light distribution diagrams

For the full data set on all variants, see louispoulsen.com.

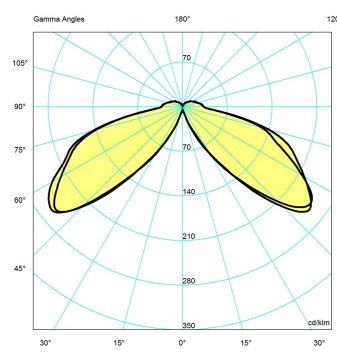
Cartesian



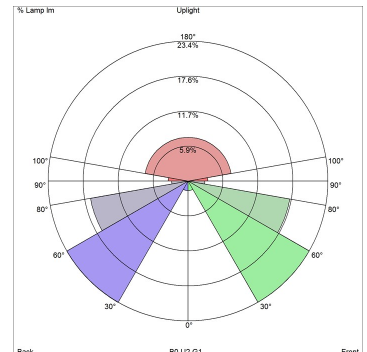
Isolux



Polar



Bug



Material

Luminaire head: Die cast iron. Post: Corten steel. Base plate: Corten steel. Internal shade struts: stainless steel. Lens: clear, U. V. -stabilized polycarbonate. LED heatsink: die-cast aluminum. Anchor bolts: Hot-dipped galvanized steel.
 Standard finish is exposed corten steel or iron that develops rusted exterior surface.

Weight

86.75

Other functions

LED in 2700K, 3500K, or 4000K. Amber LED available for sea turtle nesting areas. Custom pole heights. Alternative dimming controls, including wireless systems. LED retrofit kit is available for existing incandescent or metal halide variants.

Voltage

120-277V/60HZ

Variant options

Light source

LED 3000K 29W

Voltage frequency

120-277V/60HZ