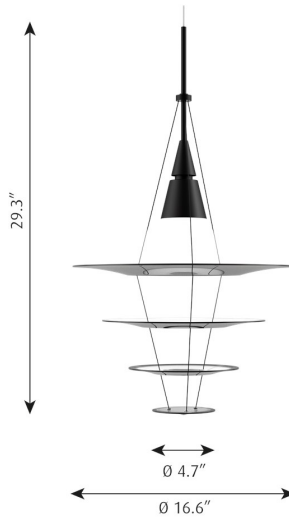


ENIGMA 425

Designed by Shoichi Uchiyama



Description

The fixture emits glare-free, soft, comfortable downward light. The shade design ensures even illumination of the surface. The matte upper surface diffuses the light, while the shiny lower surface ensures optimal reflection.

Variants

VARIANT NUMBER	COLOR, RAL	W / H / L (IN) / W (LB)
10000146254	BLK, 728	16.6 / 29.3 / 16.6 IN / 2.5 LB
10000146255	BLK, 369	16.6 / 29.3 / 16.6 IN / 2.5 LB

Materials & Finishes

MATERIALS

Cone and pendant tube: Lacquered or wet painted brushed aluminum. Wire: Stainless steel. Shades: Acrylic.

FINISHES

Brushed aluminum, clear coated or black wet painted. Shades: White or black acrylic.

louis poulsen

Mounting

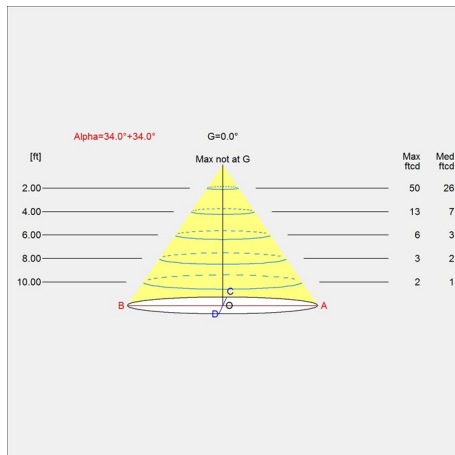
Canopy: White. Cord type: 3-conductor, 18 AWG white PVC power cord. Cord length: 12'.
For mounting instructions, see download section on the product detail page.

Information

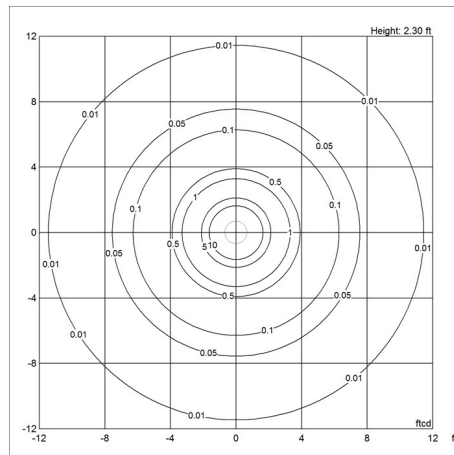
Electrical:
System Wattage: 8W
LED Wattage: 7 W
Delivered lumens: 341 - 487
Efficacy: 42.6 lm/W - 60.9 lm/W
Certifications:
cULus, Dry Location
Protection class IP20
Controllability: Phase dimming
Actual performance dependent upon screw-base lamp used. For the E-socket product variants, bulbs are not included. LED light source is part of the product.

Light distribution diagrams

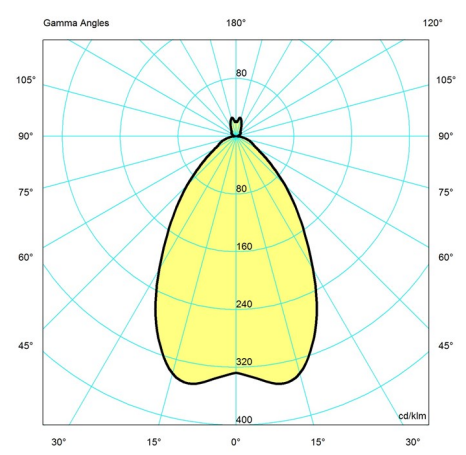
CARTESIAN



ISOLUX



POLAR



Variant Options

For particular variant options, please check our online Product Variants Configurator on the product detail page.

VARIANT NO.	LIGHT SOURCE	VOLTAGE/FRQ	LUMEN	FEATURES	CABLE
10000146254	1x8W 1/50W/PAR16 GU10 US	120V	424	-	White cord
10000146255	1x8W 1/50W/PAR16 GU10 US	120V	341	-	Black cord