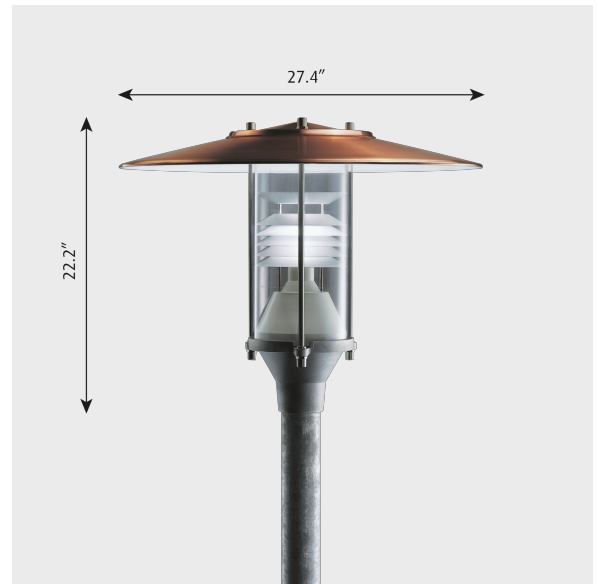


KASTRUP

Project name:

Project type:

Notes:



Design

Bennet Windinge & Povl Ernst Hoff

Product description

Cylindrical post top fixture with wide top shade and 3 vertical supports. The top shades are made of brushed copper that will patina over time. A clear lens combined with 3 vertical struts create an open and strong profile. A system of louvers surrounding the light source combined with the white painted lower surface of the top shade controls glare while providing a wide and comfortable light distribution. Integrated electronic driver allows for multiple mounting options. Available in one finish.

Variant options

Light source

LED 3000K 57W
LED 4000K 57W

Lumen

3137
3388

Voltage frequency

120-277V/60HZ

Transition to pole

T-DRA-5 IN-3 IN
T-RSA-4.5 IN

Light description

The luminaire emits symmetrical glare-free light directed downwards and outwards. The louver assembly surrounding the light source combined with the white painted bottom surfaces of the shades produce glare-free, uniform light. Feature a high level of vertical light for people to feel safe and comfortable. Features good, functional and pleasant lighting comfort. Form of the luminaire can be appreciated illuminated at night as well as during the daylight. Standard CCT in 3000K or 4000K, controlled by electronic dimmable driver.

Mounting

Mounts onto either dual round aluminum (DRA-5IN-3IN) or round straight aluminum (RSA-4.5IN) pole with provided tenon. Slip fits directly onto pole top of 3.0 inch diameter by 4.0 inch depth.

Information

Electrical:
 System Wattage: 57W
 LED Wattage: 52 W
 Delivered lumens: 3,137 - 3,388
 Efficacy: 55.0 lm/W - 59.4 lm/W
 Certifications:
 cULus, Wet Location
 Protection class IP65
 BUG Rating: B1-U4-G2
 Controllability: 0-10V Dimming
 Min.-Max. Ambient Temp: -30°C to +65°C
 Color Rendering: Ra>80
 Wind Load EPA: 1.3 sq ft

Finish

Brushed copper

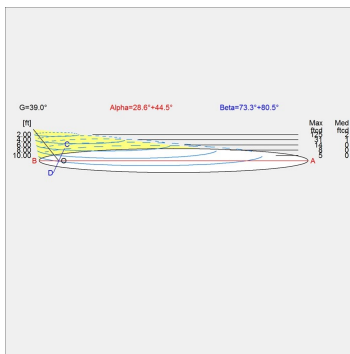
Voltage

120-277V/60HZ

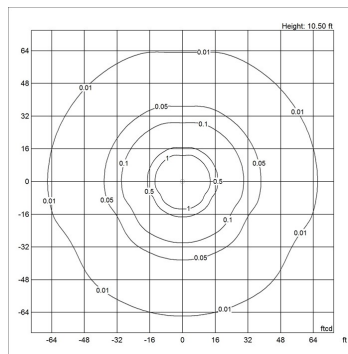
Light distribution diagrams

For the full data set on all variants, see louispoulsen.com.

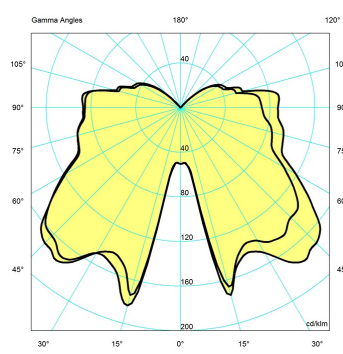
Cartesian



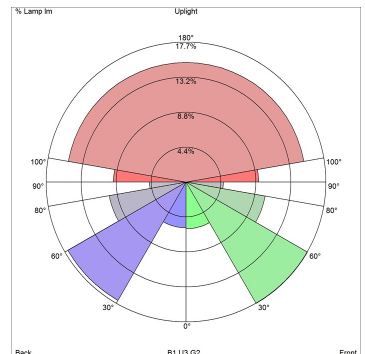
Isolux



Polar



Bug



Material

Top shades are spun, untreated copper, 0.04 inch thick, with lower surfaces with high-reflectance white finish. Console is die-cast aluminum. Lens is extruded, UV stabilized clear acrylic, 0.12 inch thick. Vertical supports and hardware are high quality stainless steel. Die cast aluminum heatsink, 0.2 inch thick. Sandblasted glass LED enclosure, 0.10 inch thick. Spun aluminum louvre reflectors with specular finish. 0.03 inch thick. Top shades have brushed, exposed copper that will patina, with white, powder coated bottom surfaces. Housings have matte, textured surface powder coat with minimum 2 mils thickness in natural painted aluminum.

Weight

Min: 18.999 lbs Max: 18.999 lbs

Other functions

LED in 2700K or 3500K. Amber LED available for sea turtle nesting areas. Partial or full house side shield available. Aluminum top shade with custom powder coated finish available. Surge protector with 10,000 Amp current rating. Mounting onto other pole diameters. Custom finishes. Alternative dimming controls, including wireless systems.

Specification notes

Consult factory for product specifications for Photo Sensor and Wireless Control options.

Variant options

Light source	Lumen	Voltage frequency	Transition to pole	Variant number
LED 3000K 57W	3137	120-277V/60HZ	T-DRA-5 IN-3 IN	10000128527
LED 4000K 57W	3388	120-277V/60HZ	T-DRA-5 IN-3 IN	10000128526
LED 3000K 57W	3137	120-277V/60HZ	T-RSA-4.5 IN	10000128530
LED 4000K 57W	3388	120-277V/60HZ	T-RSA-4.5 IN	10000128531