

KIPP BOLLARD

Project name:

Project type:

Notes:

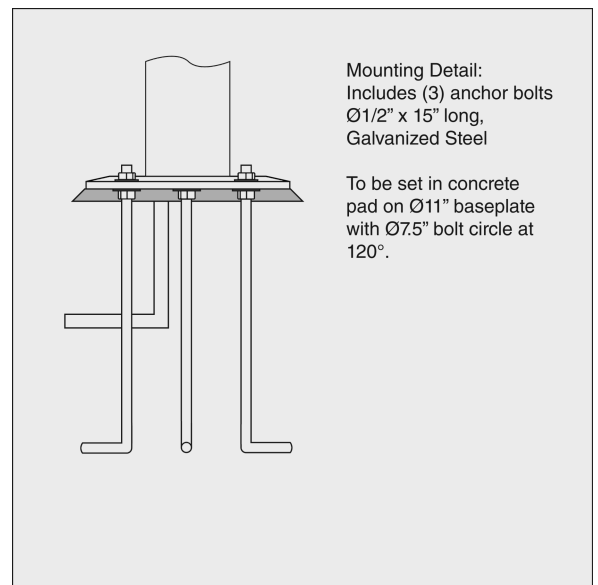


Design

Alfred Homann

Product description

Clean modern conical design—geometrically balanced with layers of light formed by clear outer lens and diffuse internal cone of light. Glare-free. Timeless design, simplistic while being sophisticated. Cast Aluminum curved top is supported by 3 slender arms. Available in two colors. Part of a family.



Variant options

Color

- Black
- Natural paint aluminum

Light source

LED 3000K 20W

Light description

The luminaire emits symmetrical glare-free light directed downwards and outwards. The LED is surrounded by an opal acrylic conical diffuser, ensuring uniform light. Features good, functional and pleasant lighting comfort. Form of the luminaire can be appreciated illuminated at night as well as during the daylight. Standard CCT in 3000K or 4000K, controlled by electronic dimmable driver.

Mounting

Base plate dimension: 11" diameter. Base plate: Mounted to a concrete base with 3 anchor bolts on a bolt circle of 7.5" diameter. Anchor bolts to be embedded into a concrete foundation by others. Overall height: 51.8 inches.

Information

Electrical:
 System Wattage: 28W
 LED Wattage: 26W
 Delivered lumens: 1,454-1,523 lm
 Efficacy: 51.9-54.4 lm/W
 Certifications:
 cULus, Wet Location
 Protection class IP65
 IK class 10
 BUG Rating: B1-U3-G1
 Controllability: 0-10V Dimming
 Min.-Max. Ambient Temp: -40°C to +70°C
 Color Rendering: Ra>80
 Please contact Louis Poulsen for 2700K.

Finish

Black, Natural paint aluminum

Material

Diffuser: Injection molded white opal acrylic. Top shade: Die cast aluminum. Enclosure: Injection molded clear U. V. stabilized polycarbonate. Frame: Die cast aluminum. Post: Extruded aluminum. Base plate: Die cast aluminum. Anchor bolts: Hot-dipped galvanized steel. Standard finish is matte, textured surface powder coat with minimum 2 mils thickness in black or natural painted aluminum.

Weight

Min: 19.39 lbs Max: 19.533 lbs

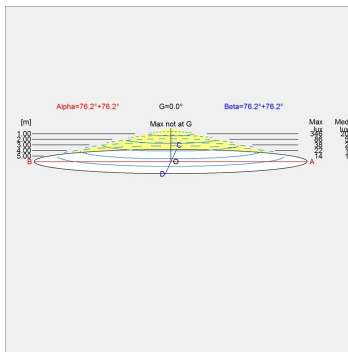
Other functions

LED in 2700K or 3500K. Amber LED available for sea turtle nesting areas. Custom finishes. Custom pole heights. Alternative dimming controls, including wireless systems.

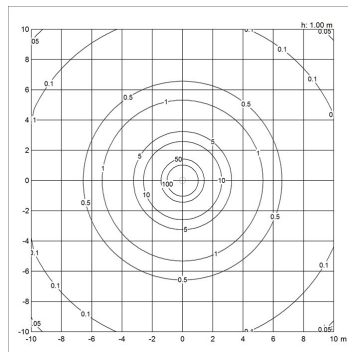
Light distribution diagrams

For the full data set on all variants, see louis Poulsen.com.

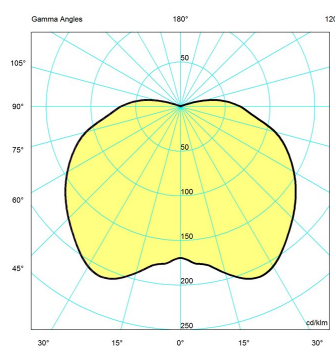
Cartesian



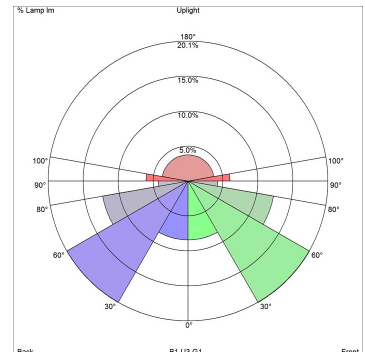
Isolux



Polar



Bug



Variant options

Color

Natural paint aluminum

Black

Light source

LED 3000K 20W

LED 3000K 20W

Variant number

5747931602

5747931615