

# KIPP POST

**Project name:**

**Project type:**

**Notes:**



## Design

Alfred Homann

## Product description

Low profile conical-shaped luminaire supported by pole tenon with three arms in die-cast aluminum for heat transfer optimization from COB. Luminaire is sealed by clear enclosure and features an inner opal diffuser concealing the COB. Pole tenon features a unique mechanism where two of the support arms act as hinge points where third incorporates a screw to gain access to the COB by tilting the head. Part of a family. Available in two colors, in high or low intensity, and as Dark Sky friendly (BUG rating U=2).

## Variant options

Color	Light source	Lumen	Voltage frequency	Distribution/Trim	Lighting control
<input checked="" type="radio"/> Black	LED 3000K 30W	2217	120-277V/60HZ	BUG U2 BUG U3	Dim 0-10v hi
<input type="radio"/> Natural paint aluminum	LED 3000K 42W	2286			
	LED 3000K 82W	2816			
	LED 4000K 30W	2909			
	LED 4000K 42W	7472			
	LED 4000K 82W	7664			
					Dim 0-10v li

## Specification notes

a. BUG U=2 only available with lower Wattage variants.

## Light description

The luminaire emits symmetrical glare-free light directed downwards and outwards. The angle of the internal diffuser, combined with the slightly curved and inside painted white top shade, ensures a wide band of glare-free, uniform light. Features a high level of vertical light for people to feel safe and comfortable. Features good, functional and pleasant lighting comfort. Form of the luminaire can be appreciated illuminated at night as well as during the daylight. Standard CCT in 3000K or 4000K, controlled by electronic dimmable driver.

## Mounting

Mounts to standard RSA-4.5" poles with an I.D. 4.1" by a die-cast aluminum tenon 0.18" thickness that supports the electronic constant current driver that resides inside the pole.

## Information

Electrical:  
 System Wattage: 41W or 82W  
 LED Wattage: 38 W or 75 W  
 Delivered lumens: 3,011 - 6,888  
 Efficacy: 73.4 lm/W - 84.0 lm/W  
 Certifications:  
 cULus, Wet Location  
 Protection class IP65  
 IK class 10  
 BUG Rating: B2-U3-G2  
 Controllability: 0-10V Dimming  
 Min.-Max. Ambient Temp: -40°C to +70°C  
 Color Rendering: Ra≥80  
 Wind Load EPA: 1.7 sq ft  
 Please contact Louis Poulsen for 2700K and more info about supported Light Management Systems.

## Finish

Black, Natural paint aluminum

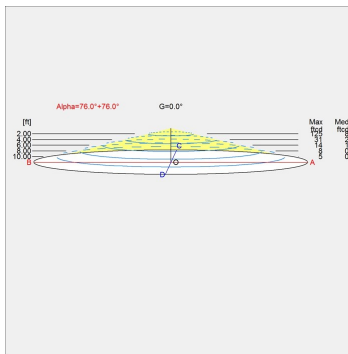
## Voltage

120-277V/60HZ

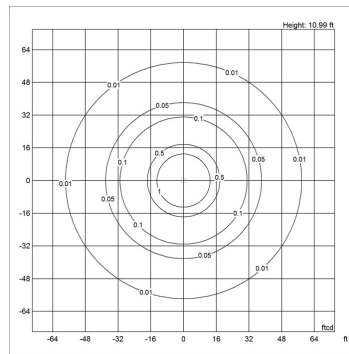
## Light distribution diagrams

For the full data set on all variants, see [louispoulsen.com](http://louispoulsen.com).

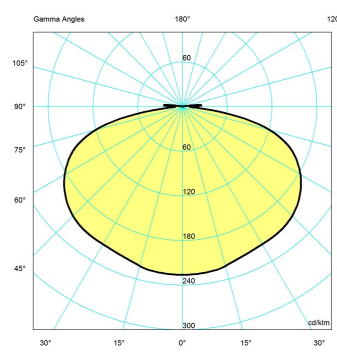
Cartesian



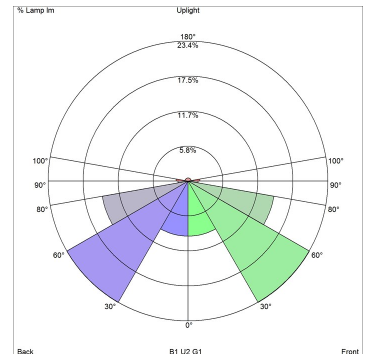
Isolux



Polar



Bug



## Material

Top shade: Injection molded U. V. and weather resistant ASA, 0.12" thick. Internal conical diffuser: Injection molded opal acrylic, 0.08" thick. Enclosure: Injection molded U. V. stabilized clear polycarbonate, 0.16" thick. Pole tenon with supporting arms: Die-cast aluminum. COB enclosure: Frosted polycarbonate 0.12" thick, for optimization of the light uniformity on the internal diffuser, sealed with silicone gasket. Hardware is high quality stainless steel. Standard finish are matte, textured surface powder coat with minimum 2 mils thickness in black or natural painted aluminum.

## Weight

Min: 27.236 lbs Max: 28.396 lbs

## Other functions

Product modifications: LED retrofit kit for incandescent and metal halide products available. LED available with CCT of 2700K, 3500K, or 5000K. Amber LED available for sea turtle nesting areas. Partial or full house side shield available. Surge protector with 10,000 Amp current rating. Dark Sky Friendly option (BUG Rating U=2). Mounting onto other pole diameters. Custom finishes. Alternative dimming controls, including wireless systems.

## Specification notes

a. BUG U=2 only available with lower Wattage variants.

## Variant options

Color	Light source	Lumen	Voltage frequency	Distribution/Trim	Lighting control	Variant number
<input type="radio"/> Natural paint aluminum	LED 3000K 30W	2217	120-277V/60HZ	BUG U2	Dim 0-10v li	5747912964
<input type="radio"/> Natural paint aluminum	LED 3000K 82W	7472	120-277V/60HZ	BUG U3	Dim 0-10v hi	5747920655
<input type="radio"/> Natural paint aluminum	LED 4000K 82W	7664	120-277V/60HZ	BUG U3	Dim 0-10v hi	5747920668
<input checked="" type="radio"/> Black	LED 3000K 82W	7472	120-277V/60HZ	BUG U3	Dim 0-10v hi	5747920671
<input checked="" type="radio"/> Black	LED 4000K 82W	7664	120-277V/60HZ	BUG U3	Dim 0-10v hi	5747920684
<input type="radio"/> Natural paint aluminum	LED 4000K 30W	2286	120-277V/60HZ	BUG U2	Dim 0-10v li	5747912977
<input checked="" type="radio"/> Black	LED 3000K 30W	2217	120-277V/60HZ	BUG U2	Dim 0-10v li	5747912980
<input checked="" type="radio"/> Black	LED 4000K 30W	2286	120-277V/60HZ	BUG U2	Dim 0-10v li	5747912993
<input type="radio"/> Natural paint aluminum	LED 3000K 42W	2816	120-277V/60HZ	BUG U3	Dim 0-10v li	5747915709
<input type="radio"/> Natural paint aluminum	LED 4000K 42W	2909	120-277V/60HZ	BUG U3	Dim 0-10v li	5747915712
<input checked="" type="radio"/> Black	LED 3000K 42W	2816	120-277V/60HZ	BUG U3	Dim 0-10v li	5747915725
<input checked="" type="radio"/> Black	LED 4000K 42W	2909	120-277V/60HZ	BUG U3	Dim 0-10v li	5747915738