

# LP GRAND WALL

**Project name:**

**Project type:**

**Notes:**



## Design

Christian Flindt

## Product description

A series of circular luminaires scaling from moderate to very large diameters while maintaining short heights. LP Grand is perceived as a set of coinciding rings based around a diffused plane of light. A large angled reflector circumferences the diffuser and reduces the contrast around the edge. A revolved top reflector is perfectly curved to distribute uplight in a wide angle. A colored outer band creates an interreflection of light resulting in a graceful glow of light on the outside of the top and bottom reflector. In total, it creates four rings of light surrounding the central diffuser. Part of a family with a range of sizes and mounting options.

## Variant options

Dimension	Color	Mounting	Light source	Lumen	Voltage frequency	Class	Distribution/Trim	Lighting control
12.6 IN	● Black	-	LED 2700K 12W	1052	120-277V/60HZ	-	-	Dim 0-10v
22.8 IN	● Champagne	Wall	LED 3000K 12W	1151		I	W/UPLIGHT	Phase+dim 0-10v
	○ White	Wall & surface	LED 3000K 60W	1166				
			LED 3500K 60W	5354				
			LED 4000K 12W	5547				

## Light description

Very wide, mostly downward light distribution from the flat bottom diffusing lens. Careful design of LED positioning and modern diffusing materials maximize light transmission while eliminating hot spots and glare. The interaction of light and shadow between the inner and outer rings creates a sense of depth while providing a gentle transition from the space to the illuminated diffuser. Standard CCT in 3000K or 3500K, controlled by electronic driver.

## Mounting

To be mounted over a 4" octagonal outlet box. Load-bearing anchors & screws provided by others. Small and medium sized fixtures use a flat mounting plate of 0.6" steel with four anchor points, with the fixture secured to mounting plate by three heavy duty spring rings engaging with stainless steel pegs. The largest size uses a ceiling mounted crossbar frame of 29 inches wide, fixture mounts onto the crossbar with four steel hooks that engage by a twistlock motion. The 22.8 IN fixture may be mounted onto either ceiling or wall, while the medium and large sizes are only ceiling mounted. Electronic class II drivers for 120-277V operation and synchronous 0-10V dimming control integral to fixture.

## Information

Electrical:  
System Wattage: 60W, 113W or 200W  
LED Wattage: 55W, 108W or 184W  
Delivered lumens: 5,463 - 22,529  
Efficacy: 91.1 lm/W - 112.6 lm/W  
Certifications:  
cULus, Damp Location  
Protection class IP20  
Controllability: 0-10V Dimming  
Color Rendering: Ra≥90

## Other functions

Alternative finishes. LED in 2700K and 4000K. Alternative dimming controls. Dual circuit wiring for separate uplight / downlight control. Downlight-only distribution. Tunable white LED system.

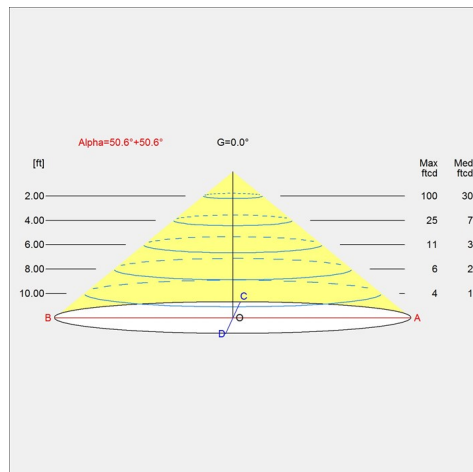
## Specification notes

- a. 22.8 IN size available only in 60W.
- b. 34.6 IN size available only in 114W.
- c. 58.3 IN size available only in 200W.

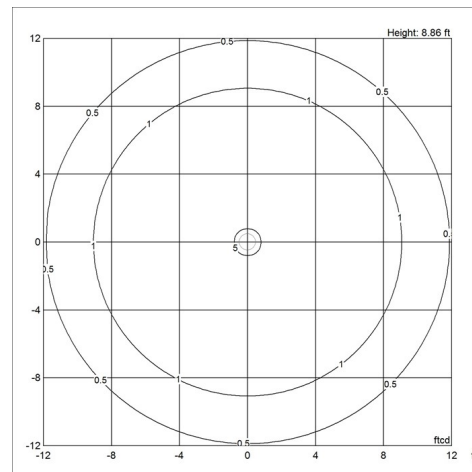
## Light distribution diagrams

For the full data set on all variants, see [louispoulsen.com](http://louispoulsen.com).

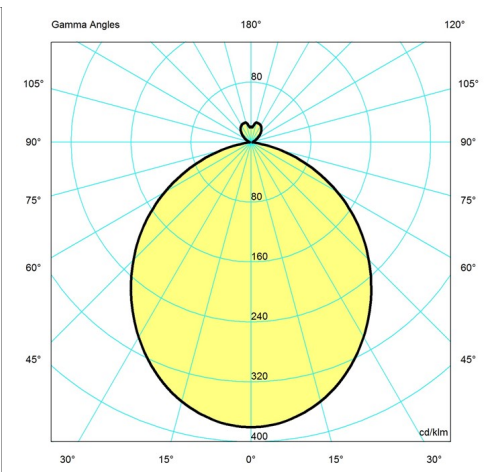
Cartesian



Isolux



Polar



## Material

Outer ring, top and bottom reflectors are high quality polycarbonate materials of ABS thermoplastic, polyethylene, and/or polyurethane depending upon the pendant size. Components are thin-walled and contoured to provide rigidity while reducing weight. Materials are UV resistant to prevent fading. Diffusers of white acrylic formulated for high light transmission and diffusion. Internal framing of .06" thick aluminum. Mounting plates 0.6" thick steel. Cable: white PVC coated, 5-conductor, 18 AWG. Three 0.06 IN stainless steel aircraft-type wires. Canopy plates with matte white powder coat of minimum 2 mils thickness. Outer ring is wet painted.  
Blk, Champagne, Wht

## Weight

Min: 14.661 lbs Max: 5.6 lbs

## Dimensions

12.6 IN, 22.8 IN

## Finish

Black, Champagne, White

## Voltage

120-277V/60HZ

## Variant options

Dimension	Color	Mounting	Light source	Lumen	Voltage frequency	Class	Distribution/Trim	Lighting control	Variant number
22.8 IN	● Black	-	LED 3000K 60W	5354	120-277V/60HZ	-	-	Dim 0-10v	5743912560
22.8 IN	○ White	-	LED 3000K 60W	5354	120-277V/60HZ	-	-	Dim 0-10v	5743912544
22.8 IN	● Champagne	-	LED 3000K 60W	5354	120-277V/60HZ	-	-	Dim 0-10v	5743912557
22.8 IN	○ White	-	LED 3500K 60W	5547	120-277V/60HZ	-	-	Dim 0-10v	5743912573
22.8 IN	● Champagne	Wall	LED 3500K 60W	5547	120-277V/60HZ	-	W/UPLIGHT	Dim 0-10v	5743912586
22.8 IN	● Black	-	LED 3500K 60W	5547	120-277V/60HZ	-	-	Dim 0-10v	5743912599
12.6 IN	○ White	Wall & surface	LED 2700K 12W	1052	120-277V/60HZ	I	W/UPLIGHT	Phase+dim 0-10v	5741939244
12.6 IN	● Champagne	Wall & surface	LED 2700K 12W	1052	120-277V/60HZ	I	W/UPLIGHT	Phase+dim 0-10v	5741939257
12.6 IN	● Black	Wall & surface	LED 2700K 12W	1052	120-277V/60HZ	I	W/UPLIGHT	Phase+dim 0-10v	5741939260
12.6 IN	○ White	Wall & surface	LED 3000K 12W	1151	120-277V/60HZ	I	W/UPLIGHT	Phase+dim 0-10v	5741939309
12.6 IN	● Champagne	Wall & surface	LED 3000K 12W	1151	120-277V/60HZ	I	W/UPLIGHT	Phase+dim 0-10v	5741939312
12.6 IN	● Black	Wall & surface	LED 3000K 12W	1151	120-277V/60HZ	I	W/UPLIGHT	Phase+dim 0-10v	5741939325
12.6 IN	○ White	Wall & surface	LED 4000K 12W	1166	120-277V/60HZ	I	W/UPLIGHT	Phase+dim 0-10v	5741939367
12.6 IN	● Champagne	Wall & surface	LED 4000K 12W	1166	120-277V/60HZ	I	W/UPLIGHT	Phase+dim 0-10v	5741939370
12.6 IN	● Black	Wall & surface	LED 4000K 12W	1166	120-277V/60HZ	I	W/UPLIGHT	Phase+dim 0-10v	5741939383