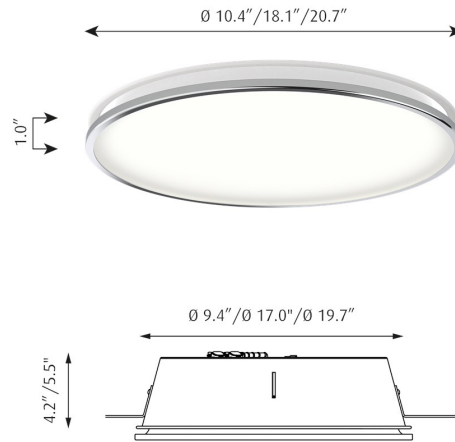


## MUNKEGAARD

Designed by Arne Jacobsen



### Description

The fixture resembles a glass disc hovering just below the ceiling. This impression is primarily created by the illuminated opening. The diffuser provides soft uniform lighting. This fixture gives the room the illusion of extra height.

### Variants

VARIANT NUMBER	COLOR, RAL	W / H / L (IN) / W (LB)
10000122540	CHR, 901	10.4 / 6.7 / 10.4 IN / 4.4 LB
10000122541	CHR, 901	18.1 / 6.8 / 18.1 IN / 8.0 LB
10000122542	CHR, 901	20.7 / 6.8 / 20.7 IN / 9.9 LB
10000122568	SATIN CHR PLA, 905	10.4 / 6.7 / 10.4 IN / 4.4 LB
10000122581	SATIN CHR PLA, 905	18.1 / 6.8 / 18.1 IN / 8.0 LB
10000122591	SATIN CHR PLA, 905	20.7 / 6.8 / 20.7 IN / 9.9 LB
10000156009	BRASS, 937	10.4 / 6.7 / 10.4 IN / 4.4 LB
10000156010	BRASS, 937	18.1 / 6.8 / 18.1 IN / 8.0 LB
10000156011	BRASS, 937	20.7 / 6.8 / 20.7 IN / 9.9 LB

### Materials & Finishes

#### MATERIALS

Shade: 2-layer: matte-white acrylic and toughened glass. Edge ring: High lustre chrome plated, satin chrome plated or brushed cleared lacquered, brass.

## FINISHES

High lustre chrome plated, satin chrome plated or brushed brass. matte-white acrylic/toughened clear glass.

## Mounting

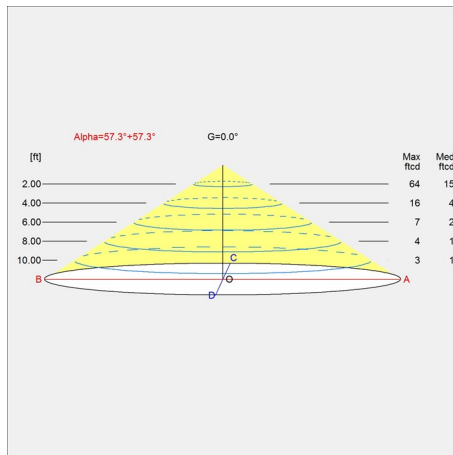
Semi-recessed: Provided with vertically adjustable brackets spaced equally. Luminaire frame should be structurally supported independent of the ceiling suspension and installed prior to closing the ceiling. Ceiling types: Accessible and non-accessible ceilings. Ceiling cutout: Ø9.5" (for Ø10.4"), Ø17" (for Ø18.1") and Ø19.5" (for Ø20.7"). For mounting instructions, see download section on the product detail page.

## Information

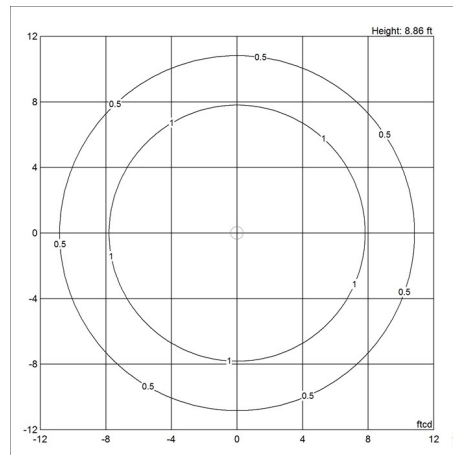
For LED replacement kit please do contact Louis Poulsen. The innovation of the LED technology is constant. The specifications mentioned are based on present technology. For the E-socket product variants, bulbs are not included. LED light source is part of the product.

## Light distribution diagrams

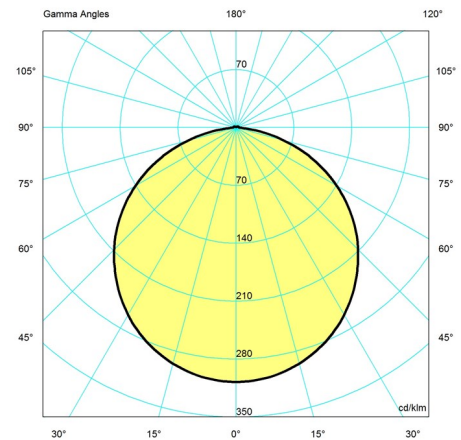
### CARTESIAN



### ISOLUX



### POLAR



## Variant Options

For particular variant options, please check our online Product Variants Configurator on the product detail page.

VARIANT NO.	LIGHT SOURCE	VOLTAGE/FRQ	LUMEN	FEATURES	CABLE
10000122540	LED 3000K 15W	120-277V/60HZ	760	Dim 0-10v	-
10000122541	LED 3000K 30W	120-277V/60HZ	2147	Dim 0-10v	-
10000122542	LED 3000K 42W	120-277V/60HZ	3104	Dim 0-10v	-
10000122568	LED 3000K 15W	120-277V/60HZ	760	Dim 0-10v	-
10000122581	LED 3000K 30W	120-277V/60HZ	2147	Dim 0-10v	-

# louis poulsen

10000122591	LED 3000K 42W	120-277V/60HZ	3104	Dim 0-10v	-
10000156009	LED 3000K 15W	120-277V/60HZ	760	Dim 0-10v	-
10000156010	LED 3000K 30W	120-277V/60HZ	2147	Dim 0-10v	-
10000156011	LED 3000K 42W	120-277V/60HZ	3104	Dim 0-10v	-

---

Specification  
Notes

- a. 10.4 IN size available only in 15W.
- b. 18.1 IN size available only in 30W.
- c. 20.7 IN size available only in 42W.

---