

NYHAVN PARK POST

Project name:

Project type:

Notes:



Design

Alfred Homann

Product description

Low profile post top luminaire comprising of a domed top, a vertical column with three rings, and large conical shade. The conical shade and lower diffuser ensure comfortable light that is directed downwards in a wide beam. The small rings surround a clear cylinder that emits light. The rings are carefully designed to avoid striped shadows, controlling glare while illuminating the top of the conical shade. The shade interior has a white matte painted surface, ensuring uniform light distribution. The lower diffuser and LED electrical module are removable for servicing while keeping the fixture mounted.

Variant options

Light source

LED 3000K 78W
LED 4000K 78W

Lumen

7851
8053

Voltage frequency

120-277V/60HZ

Light description

The luminaire emits symmetrical glare-free light directed downwards and outwards. Features a high level of vertical light through the three rings for people to feel safe and comfortable. Features good, functional and pleasant lighting comfort. Form of the luminaire can be appreciated illuminated at night as well as during the daylight. Standard CCT in 3000K or 4000K, controlled by electronic dimmable driver.

Mounting

Post top: Mounts onto horizontal tenon 1.05IN diameter by 1.2IN long. Pair only with NYPA poles.

Information

Electrical:
 System Wattage: 80W
 LED Wattage: 74 W
 Delivered lumens: 7,850 - 8,000
 Efficacy: 98.1 lm/W - 100.0 lm/W
 Certifications:
 cULus, Wet Location
 Protection class IP65
 IK class 10
 BUG Rating: B3-U3-G2
 Controllability: 0-10V Dimming
 Min.-Max. Ambient Temp: -40°C to +85°C
 Color Rendering: Ra>80
 Wind Load EPA: 2.0 sq ft

Finish

Black texture

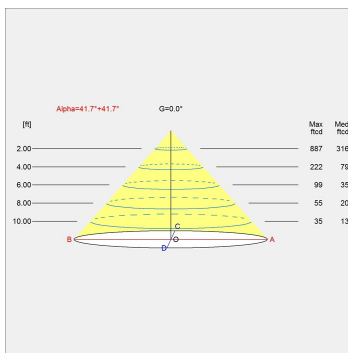
Voltage

120-277V/60HZ

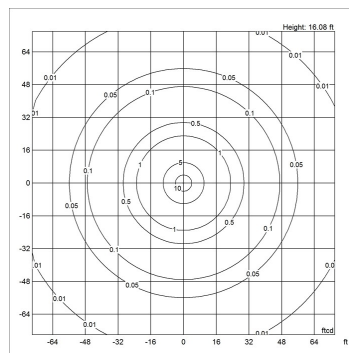
Light distribution diagrams

For the full data set on all variants, see louispoulsen.com.

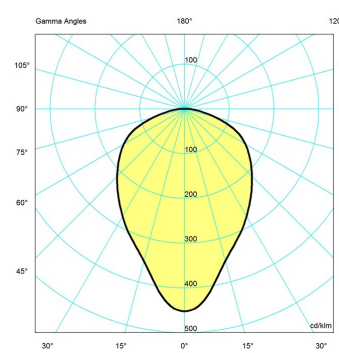
Cartesian



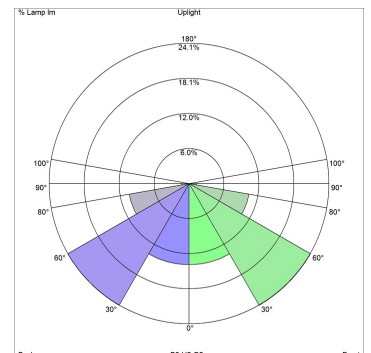
Isolux



Polar



Bug



Material

Housing and rings are die-cast aluminum. Conical shade is spun aluminum, .08 inch thick. Cylinder lens is UV stabilized, injection molded clear polycarbonate, 0.12 inch thick. Bottom diffuser is UV stabilized, sandblasted polycarbonate, 0.12 inch thick. Hardware is high quality stainless steel. Standard finish are matte, textured surface powder coat with minimum 2 mils thickness in black.

Weight

Min: 25.999 lbs Max: 25.999 lbs

Other functions

LED CCT in 2700K, 3500K, or 5000K. Amber LED available for sea turtle nesting areas. LED retrofit kit for incandescent and metal halide products available. Partial or full house side shield for clear cylinder available. Surge protector with 10,000 Amp current rating. Custom post arm designs. Custom finishes. Alternative dimming controls, including wireless systems.

Specification notes

Consult factory for product specifications for Photo Sensor and Wireless Control options.

Variant options

Light source	Lumen	Voltage frequency	Variant number
LED 4000K 78W	8053	120-277V/60HZ	10000151057
LED 3000K 78W	7851	120-277V/60HZ	10000151058