

PATERA OVAL

Designed by Øivind Slaatto



Description

The pendant is a glowing ellipsoid made up of diamond-shaped cells. Each cell has been carefully designed to capture light and to conceal the light source when viewed from angles above 40 degrees. Below 40 degrees, the lamp provides direct, downward light. The round opening underneath provides direct light with a soft transition toward the reflected light. The pendant can be used with or without a diffuser plate, depending on whether or not the view of the light source creates an unwanted glare.

Variants

VARIANT NUMBER	COLOR, RAL	W / H / L (IN) / W (LB)
5741936014	WHT, 062	19.7 / 14.2 / 19.7 IN / 3.7 LB
5741936069	WHT, 062	19.7 / 14.2 / 19.7 IN / 6.5 LB
5741936072	WHT, 062	19.7 / 14.2 / 19.7 IN / 6.5 LB

Materials & Finishes

MATERIALS

Shade: matte PVC sheet. Frame: White, opal, matte-coated injection-molded polycarbonate with steel reinforcing rods. Stem: aluminum. LED: Aluminum heatsink. Bottom diffuser: Injection-molded opal white acrylic.

FINISHES

louis poulsen

White, matte coated.

Mounting

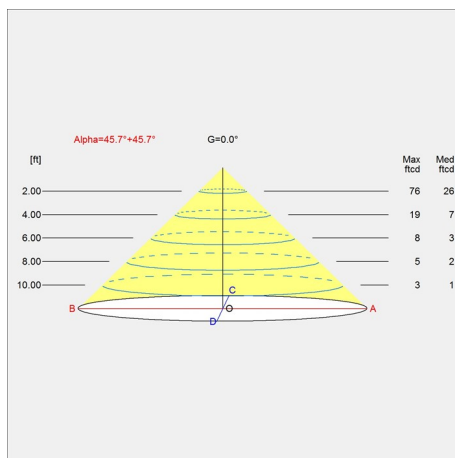
Canopy: White. Cord type: 2-conductor, 18 AWG white cloth-covered power cord. Cord length: 12'. LED: Canopy contains driver. For mounting instructions, see download section on the product detail page.

Information

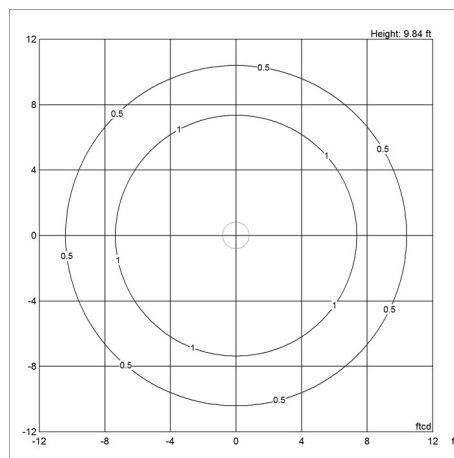
Electrical:
System Wattage: 41W (LED); 40W (INC)
LED
Wattage: 39W
Delivered lumens: 2,553 - 2,656 (LED)
Efficacy: 62 lm/W - 65 lm/W (LED)
Certifications:
cULus, Damp Location
Protection class IP20
Controllability: 0-10V Dimming (LED variants); Phase dimming (incandescent variant)
Color Rendering: $Ra \geq 90$ for LED variants.
Performance dependent upon screw-base lamp used in socketed variants. For the E-socket product variants, bulbs are not included. LED light source is part of the product.

Light distribution diagrams

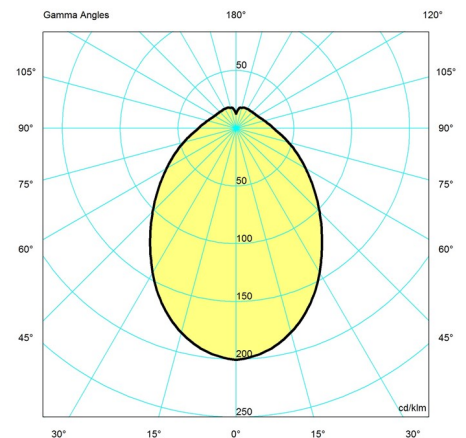
CARTESIAN



ISOLUX



POLAR



Variant Options

For particular variant options, please check our online Product Variants Configurator on the product detail page.

VARIANT NO.

LIGHT SOURCE

VOLTAGE/FRQ

LUMEN

FEATURES

CABLE

louis poulsen

5741936014	1x22W E26	120V	1017	-	White fabric cord
5741936069	LED 2700K 41W	120-277V/60HZ	2553	Dim 0-10v	White fabric cord
5741936072	LED 3000K 41W	120-277V/60HZ	2656	Dim 0-10v	White fabric cord

Specification Notes

- a. Incandescent variant available only in 120V.
 - b. LED variants available only in 120-277V with 0-10V dimming.
-