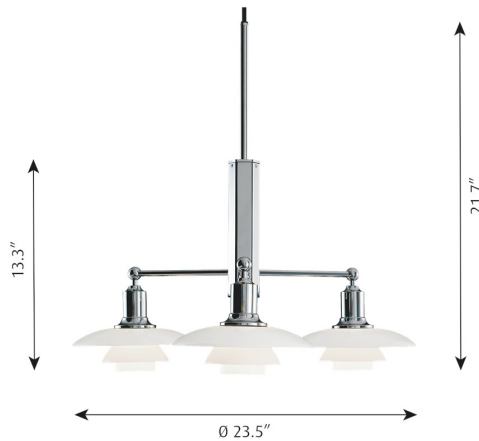


## PH 2/1 STEM FITTING

Designed by Poul Henningsen

---



---

### Description

The fixture is designed based on the principle of a reflective three-shade system, which directs the majority of the light downwards. The shades are made of handblown opal three-layer glass, which is glossy on the top and sandblasted matte on the underside, giving a soft and diffused light distribution.

---

### Variants

VARIANT NUMBER	COLOR, RAL	W / H / L (IN) / W (LB)
5741939590	HIGH LUSTRE CHROME PLATED, 900	23.5 / 21.7 / 23.5 IN / 6.7 LB

---

### Materials & Finishes

#### MATERIALS

Shades: Handblown white opal glass.  
Body: High lustre chrome plated, brass.  
Socket cover: High lustre chrome plated, spun aluminum.

#### FINISHES

High lustre chrome plated. White opal glass.

---

# louis poulsen

## Mounting

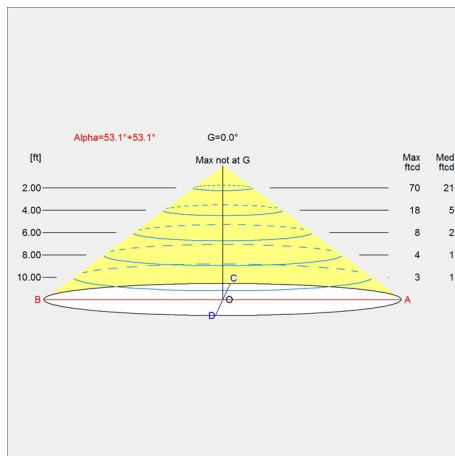
Canopy: White.  
 Cord length: 12'.  
 Cord type: 3-conductor, 18 AWG black braided fabric covered power cord. For mounting instructions, see download section on the product detail page.

## Information

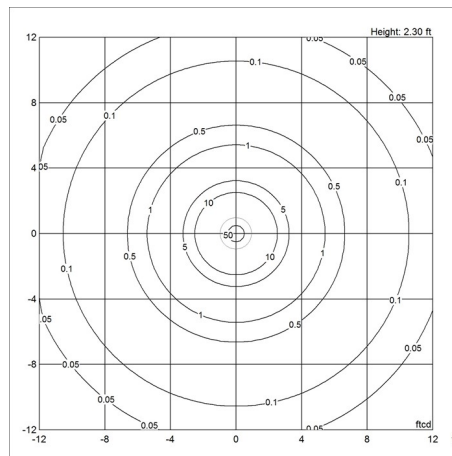
Electrical:  
 System Wattage: 30W  
 Delivered lumens: 1,025  
 Efficacy: 34 lm/W  
 Certifications:  
 cULus, Dry Location  
 Protection class IP20  
 Controllability: Phase dimming  
 Actual performance dependent upon screw-base lamp used. For the E-socket product variants, bulbs are not included. LED light source is part of the product.

## Light distribution diagrams

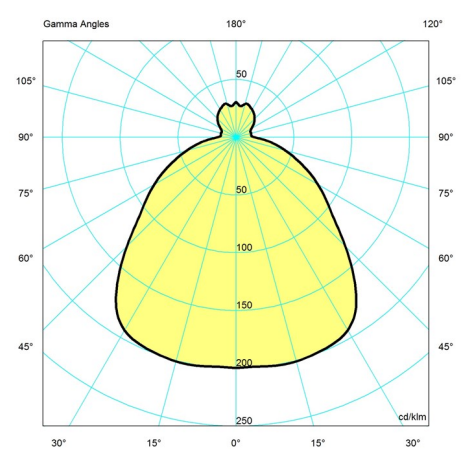
### CARTESIAN



### ISOLUX



### POLAR



## Variant Options

For particular variant options, please check our online Product Variants Configurator on the product detail page.

VARIANT NO.	LIGHT SOURCE	VOLTAGE/FRQ	LUMEN	FEATURES	CABLE
5741939590	3x10W G16.5/IF Candelabra US	120V	1025	-	Black fabric cord