

PH 2/1 TABLE

Designed by Poul Henningsen



Description

The fixture provides soft lighting. PH 2/1 is designed on the principle of a reflecting multi-shade system, creating harmonious and glare-free lighting. The shade design is based on a logarithmic spiral, with the center of the light source placed in the spiral's focal point.

Variants

| VARIANT NUMBER | COLOR, RAL | W / H / L (IN) / W (LB) |
|----------------|--------------------------------|----------------------------|
| 5744907105 | BRASS METALLISED | 7.9 / 14 / 7.9 IN / 3.4 LB |
| 5744907118 | HIGH LUSTRE CHROME PLATED, 900 | 7.9 / 14 / 7.9 IN / 3.4 LB |
| 5744907121 | BLACK METALIZED, 906 | 7.9 / 14 / 7.9 IN / 3.4 LB |

Materials & Finishes

MATERIALS

Shades: Hand-blown white opal glass. Top plate: Brass metallized, black metallized or high lustre chrome plated, machined brass. Base and stem: Brass metallized, black metallized or high lustre chrome plated, brass.

FINISHES

Brass metallized, black metallized or high lustre chrome plated. White opal glass.

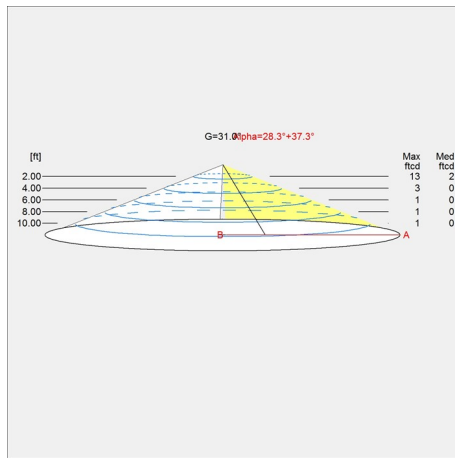
louis poulsen

Mounting

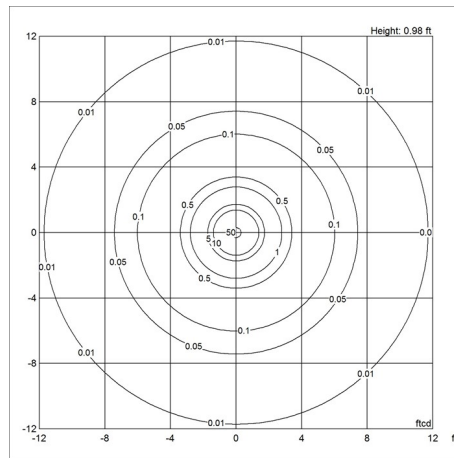
Cord type: Black for black and chrome colors; white for brass. Cord length: 10'. Switch: On/off switch on cord. For mounting instructions, see download section on the product detail page.

Light distribution diagrams

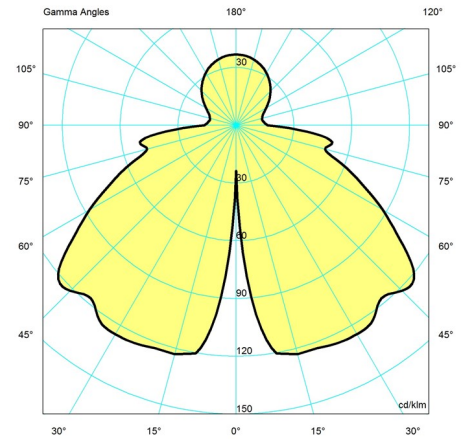
CARTESIAN



ISOLUX



POLAR



Variant Options

For particular variant options, please check our online Product Variants Configurator on the product detail page.

| VARIANT NO. | LIGHT SOURCE | VOLTAGE/FRQ | LUMEN | FEATURES | CABLE |
|-------------|--------------|-------------|-------|----------|------------|
| 5744907105 | 1x4W T-4 G9 | 120V | 304 | - | White cord |
| 5744907118 | 1x4W T-4 G9 | 120V | 304 | - | Black cord |
| 5744907121 | 1x4W T-4 G9 | 120V | 304 | - | Black cord |