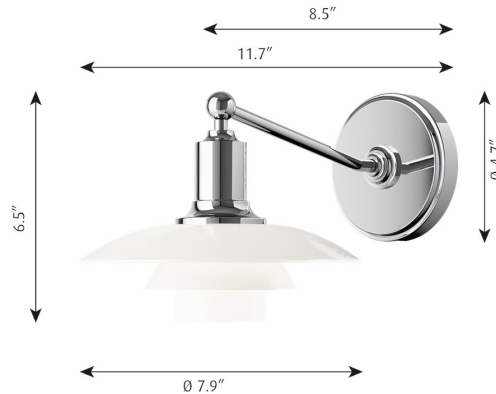


PH 2/1 WALL

Designed by Poul Henningsen



Description

The fixture is designed based on the principle of a reflective three-shade system, which directs the majority of the light downwards. The shades are made of mouth-blown opal three-layer glass, which is shiny on the top and sandblasted matte on the inside, giving a soft and diffuse light distribution.

Variants

VARIANT NUMBER	COLOR, RAL	W / H / L (IN) / W (LB)
5743912696	GLASS, 960	11.4 / 9.3 / 14.4 IN / 4.3 LB

Materials & Finishes

MATERIALS

Shades: Handblown white opal glass. Wall box: High lustre chrome plated, spun brass. Suspension: High lustre chrome plated, spun aluminum. Arm: High lustre chrome plated, brass.

FINISHES

White opal glass. High lustre chrome plated.

louis poulsen

Mounting

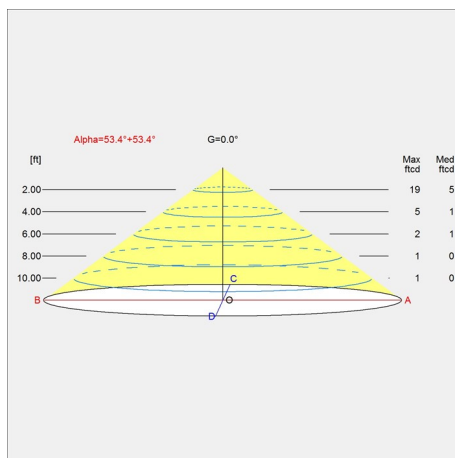
Surface: Mounted directly to finished surface over a 4" octagonal junction-box. Switch: On/off switch on the wall plate. For mounting instructions, see download section on the product detail page.

Information

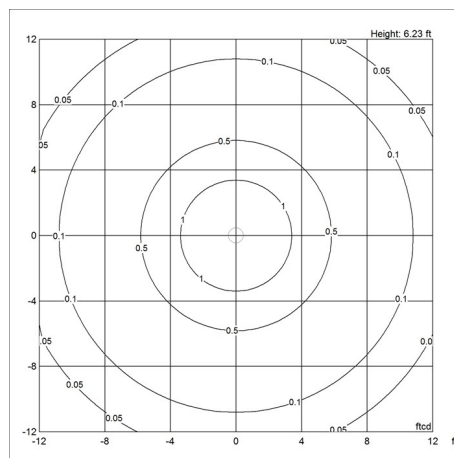
Electrical: System Wattage: 10W LED Wattage: 9 W Delivered lumens: 332 Efficacy: 33 lm/W
 Certifications: cULus, Dry Location Protection class IP20 Controllability: Phase dimming
 Actual performance dependent upon screw-base lamp used. For the E-socket product variants, bulbs are not included. LED light source is part of the product.

Light distribution diagrams

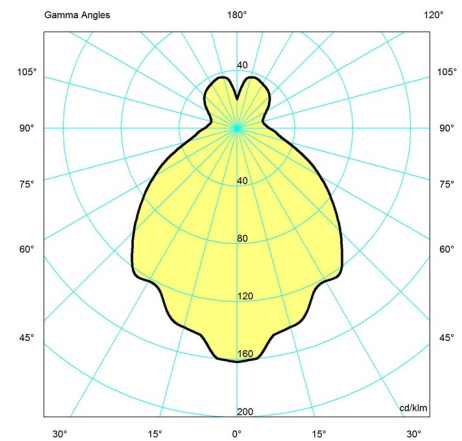
CARTESIAN



ISOLUX



POLAR



Variant Options

For particular variant options, please check our online Product Variants Configurator on the product detail page.

VARIANT NO.

5743912696

LIGHT SOURCE

1x10W E12

VOLTAGE/FRQ

120V/60Hz

LUMEN

292

FEATURES

-

CABLE

Without cord