

PH 2/2 QUESTION MARK PALE ROSE TABLE LAMP

Designed by Poul Henningsen



Description

The fixture has been designed on the principle of a reflecting multi-shade system, emitting a glare-free, downward directed light, while radiating a pleasantly delicate glow. The shades are made of mouth-blown four-layer pale rose opal glass, which is glossy on top and sandblasted matt opal white on the underside, providing a soft and uniform light distribution. The adjustable upper part of the lamp can be tilted 45 degrees to the right or left by turning the handle on the middle of the arm.

Variants

VARIANT NUMBER	COLOR, RAL	W / H / L (IN) / W (LB)
5744909970	PALE ROSE	10.8 / 16.1 / 7.9 IN / 5.1 LB

Materials & Finishes

MATERIALS

Mouth-blown four-layered pale rose coloured glass with a white sandblasted underside. Glossy on the outside, sandblasted white on the inside. Brass, brushed and untreated.

FINISHES

Untreated brushed brass with fine hairlines and pale rose opal glass.

Mounting

Cord type: White, braided fabric covered.

Cord length: 12'.

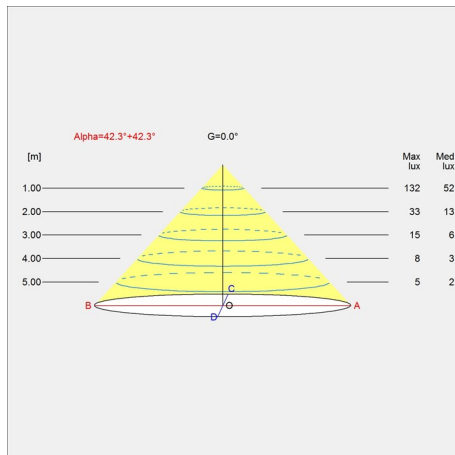
Switch: In-base on/off switch. For mounting instructions, see download section on the product detail page.

Information

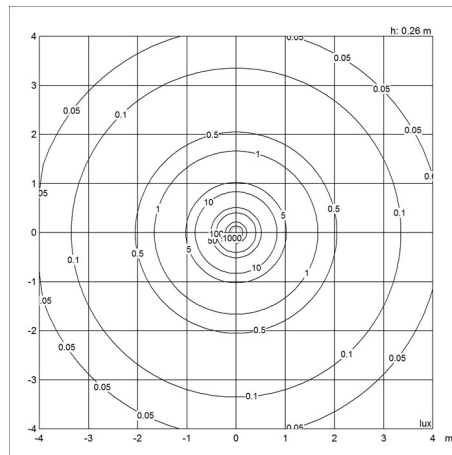
Please note that the brass is untreated. This means that the surface will change over time and develop a patina if left unpolished. The adjustable upper part of the lamp can be tilted 45 degrees to the right or left by turning the handle. For the E-socket product variants, bulbs are not included. LED light source is part of the product.

Light distribution diagrams

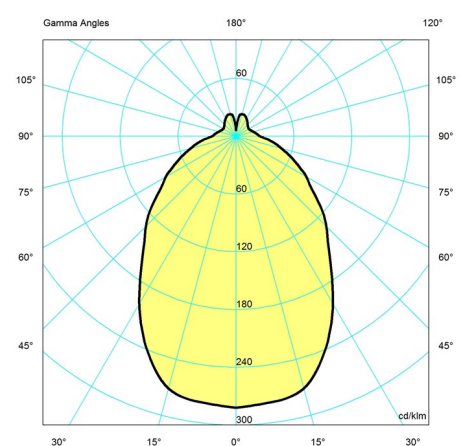
CARTESIAN



ISOLUX



POLAR



Variant Options

For particular variant options, please check our online Product Variants Configurator on the product detail page.

VARIANT NO.	LIGHT SOURCE	VOLTAGE/FRQ	LUMEN	FEATURES	CABLE
5744909970	1x25W A-19/medium		368	-	White fabric cord