

PH 3¹/₂-2¹/₂ TABLE

Designed by Poul Henningsen



Description

The louvre is 100% glare-free, with a design based on the principle of a reflective three-shade system, which directs most of the light downwards. For some variants, the top shade is made of deep drawn aluminum with white inner surface that ensures gentle, downward light distribution. The two bottom handblown opal glass shades ensure a large glare-free light surface, making optimum use of the light source to provide comfortable, functional lighting.

Variants

VARIANT NUMBER	COLOR, RAL	W / H / L (IN) / W (LB)
5744902702	RED, 274	13 / 17.7 / 13 IN / 5.6 LB
5744902715	WHT, 029	13 / 17.7 / 13 IN / 5.6 LB
5744902728	YELLOW, 292	13 / 17.7 / 13 IN / 5.6 LB
5744902731	GREEN, 554	13 / 17.7 / 13 IN / 5.6 LB

Materials & Finishes

MATERIALS

Shades: deep drawn aluminum. Base: silk matte brown, copper.

FINISHES

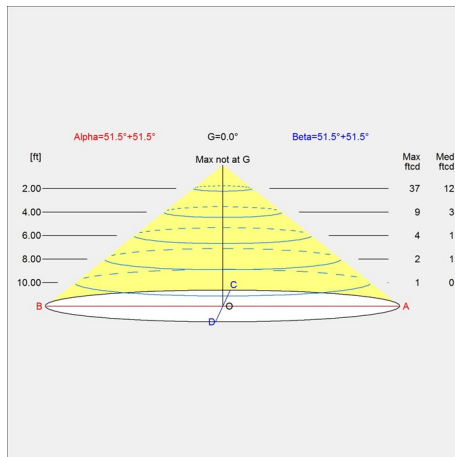
Red, green, yellow and white, powder coated. Base: silk matte brown, copper.

Mounting

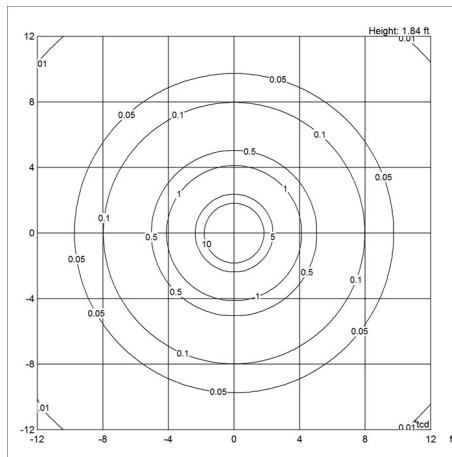
Cord type: Black. Cord length: 12'. Switch: In-line on/off switch provided. For mounting instructions, see download section on the product detail page.

Light distribution diagrams

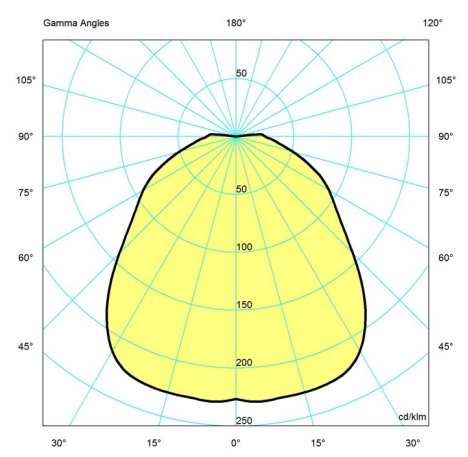
CARTESIAN



ISOLUX



POLAR



Variant Options

For particular variant options, please check our online Product Variants Configurator on the product detail page.

VARIANT NO.	LIGHT SOURCE	VOLTAGE/FRQ	LUMEN	FEATURES	CABLE
5744902702	1x10W G16.5/IF candelabra US	120V	457	-	-
5744902715	1x10W G16.5/IF candelabra US	120V	457	-	-
5744902728	1x10W G16.5/IF candelabra US	120V	457	-	-
5744902731	1x10W G16.5/IF candelabra US	120V	457	-	-