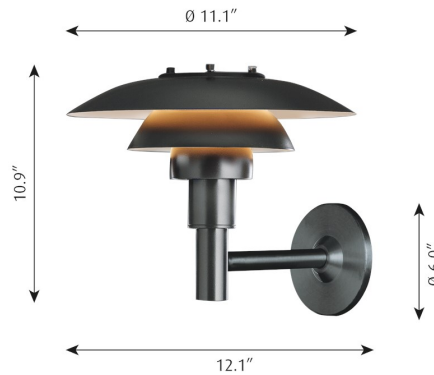


PH 3-2½ WALL

Designed by Poul Henningsen



Description

The fixture is designed based on the principle of a reflective three-shade system, which directs the majority of the light downwards. The shades have a matte white painted interior surface, diffusing the light in a comfortable way.

Variants

VARIANT NUMBER	COLOR, RAL	W / H / L (IN) / W (LB)
5743900022	BLK, 726	11.1 / 10.9 / 12.1 IN / 4.7 LB

Materials & Finishes

MATERIALS

Top shade: Spun stainless steel. Middle/lower shade: Spun stainless steel. Shadeholder: Die formed glass. Mounting plate: Die cast aluminum. Mounting plate cover: Spun aluminum. Arm: Stainless steel.

FINISHES

Black, powder coated.

louis poulsen

Mounting

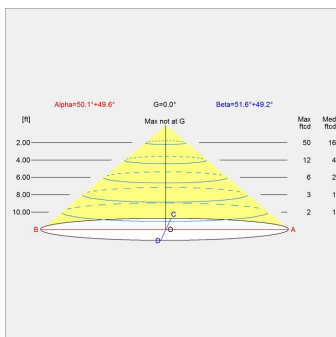
Surface: Mounted directly to finished surface over a recessed 4" octagonal junction box. For mounting instructions, see download section on the product detail page.

Information

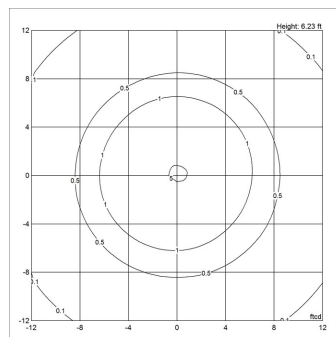
Electrical:
 System Wattage: 15 W
 Delivered lumens: 720 lm
 Efficacy: 48.0 lm/W
 Certifications:
 cULus, Wet Location
 Protection class IP44
 BUG Rating: B0-U3-G1
 Controllability: Phase dimming
 Min.-Max. Ambient Temp: -20°C to +40°C
 Actual performance dependent upon screw-base lamp used. For the E-socket product variants, bulbs are not included. LED light source is part of the product.

Light distribution diagrams

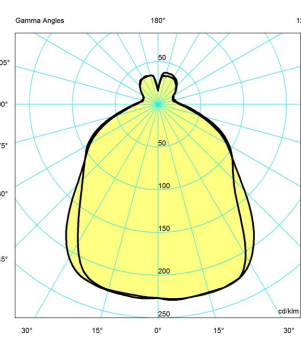
CARTESIAN



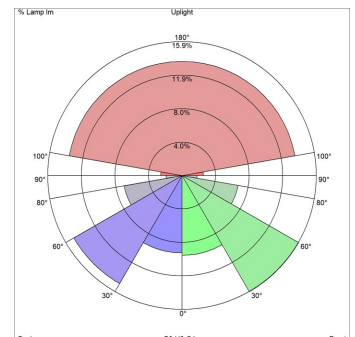
ISOLUX



POLAR



BUG



Variant Options

For particular variant options, please check our online Product Variants Configurator on the product detail page.

VARIANT NO.	LIGHT SOURCE	VOLTAGE/FRQ	LUMEN	FEATURES	CABLE
574390022	1x15W A-19/medium	120V	720	-	-