

PH 4/3 PENDANT

Designed by Poul Henningsen



Description

The fixture is designed based on the principle of a reflective three-shade system, which directs the majority of the light downwards. The shades are made of metal and painted white to ensure uniform, comfortable light distribution.

Variants

VARIANT NUMBER	COLOR, RAL	W / H / L (IN) / W (LB)
5741928598	WHITE CLASSIC MATTE, 020	15.7 / 7.9 / 15.7 IN / 2.7 LB

Materials & Finishes

MATERIALS

Shades: Spun aluminum.

FINISHES

White, powder coated.

Mounting

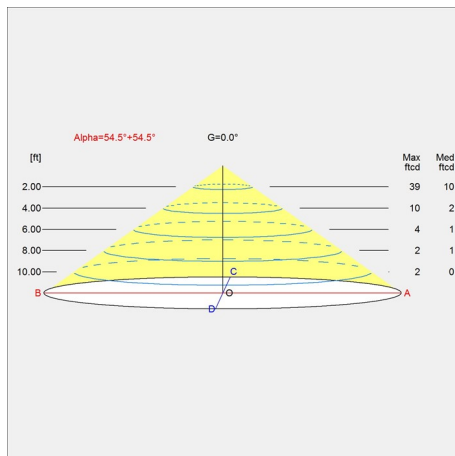
Canopy: White. Cord type: 3-conductor, 18 AWG white PVC power cord. Cord length: 12'. For mounting instructions, see download section on the product detail page.

Information

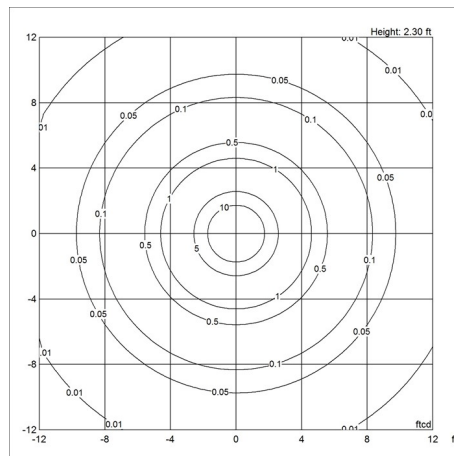
Electrical:
 System Wattage: 15W
 LED Wattage: 14 W
 Delivered lumens: 414
 Efficacy: 27.6 lm/W
 Certifications:
 cULus, Dry Location
 Protection class IP20
 Controllability: Phase dimming
 Actual performance dependent upon screw-base lamp used. For the E-socket product variants, bulbs are not included. LED light source is part of the product.

Light distribution diagrams

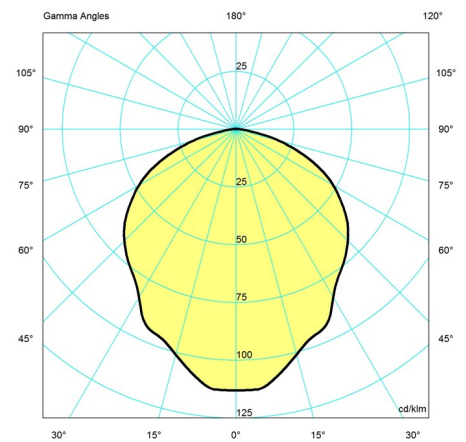
CARTESIAN



ISOLUX



POLAR



Variant Options

For particular variant options, please check our online Product Variants Configurator on the product detail page.

VARIANT NO.	LIGHT SOURCE	VOLTAGE/FRQ	LUMEN	FEATURES	CABLE
5741928598	1x15W A-19/medium	120V	414	-	White fabric cord