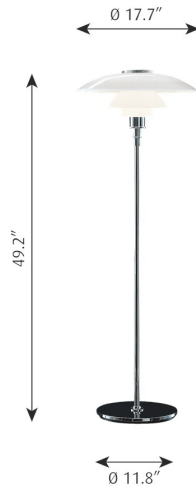


## PH 4½-3½ GLASS FLOOR

Designed by Poul Henningsen

---



---

### Description

The fixture is designed based on the principle of a reflective three-shade system, which directs the majority of the light downwards. The shades are made of hand blown opal three-layer glass, which is glossy on top and sandblasted matte on the underside, giving a soft and diffused light distribution.

---

### Variants

VARIANT NUMBER	COLOR, RAL	W / H / L (IN) / W (LB)
5844901266	HIGH LUSTRE CHROME PLATED, 900	17.7 / 49.2 / 17.7 IN / 34.3 LB

---

### Materials & Finishes

#### MATERIALS

Base: High lustre chrome plated, spun brass. Shades: Hand blown white opal glass. Anti-glare ring: Purple, spun aluminum. Top plate: High lustre chrome plated, spun brass. Stem: High lustre chrome plated, steel.

#### FINISHES

High lustre chrome plated. White opal glass.

---

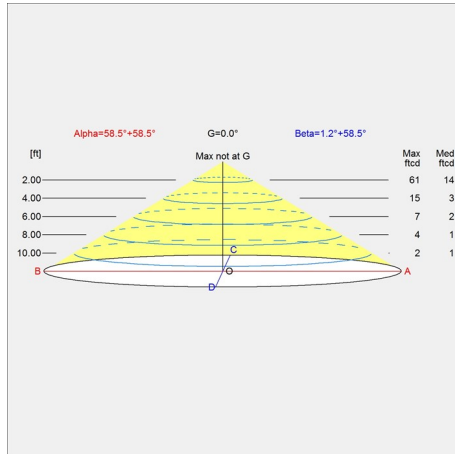
# louis poulsen

## Mounting

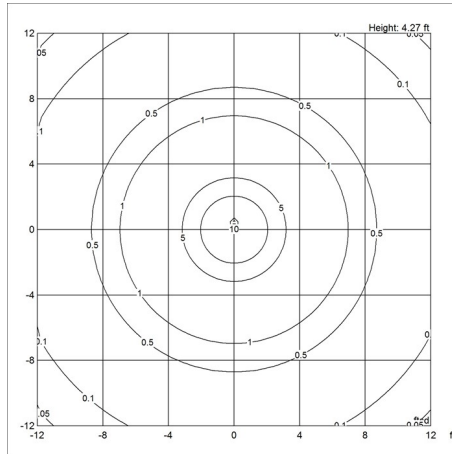
Cord type: Black. Cord length: 7'. Switch: In-line on/off foot switch provided. For mounting instructions, see download section on the product detail page.

## Light distribution diagrams

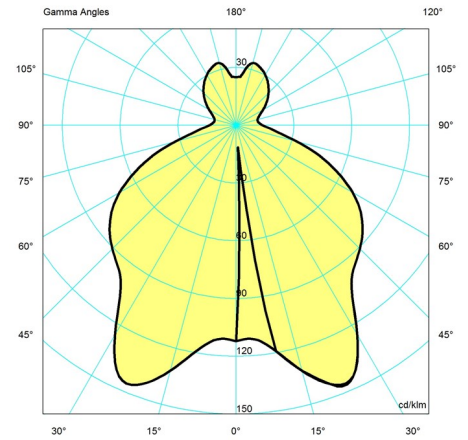
### CARTESIAN



### ISOLUX



### POLAR



## Variant Options

For particular variant options, please check our online Product Variants Configurator on the product detail page.

VARIANT NO.	LIGHT SOURCE	VOLTAGE/FRQ	LUMEN	FEATURES	CABLE
5844901266	1x15W A-19/IF medium US	120V	964	-	-