

PH 5/5 PENDANT

Designed by Poul Henningsen



Description

The fixture emits a comfortable, diffused, glare-free light that is characteristic of Poul Henningsen's reflective three-shade-system. The fixture is available with white opal glass or soft-touch black-painted metal with a white interior. The translucent shades in triple-layered, hand-blown opal glass create a warm glow around the pendant, whereas the metal shades with their white-painted interiors reflect a fine and primarily downwardly directed light. An optional translucent white diffuser (included) is easy to insert for an even softer light distribution.

Variants

VARIANT NUMBER	COLOR, RAL	W / H / L (IN) / W (LB)
5741940521	METAL BLACK	19.7 / 16.9 / 19.7 IN / 6.1 LB
5741940534	METAL BLACK/OPAL GLASS	19.7 / 16.9 / 19.7 IN / 8.2 LB
5741942794	METAL BLACK	- / - / - IN / 9.1 LB
5741942804	METAL BLACK/OPAL GLASS	- / - / - IN / 11.2 LB
5741942817	METAL BLACK	- / - / - IN / 8.7 LB
5741942820	METAL BLACK/OPAL GLASS	- / - / - IN / 10.8 LB
5741942833	METAL BLACK	- / - / - IN / 9.1 LB
5741942846	METAL BLACK/OPAL GLASS	- / - / - IN / 11.2 LB
5741942859	METAL BLACK	- / - / - IN / 8.7 LB
5741942862	METAL BLACK/OPAL GLASS	- / - / - IN / 10.9 LB

louis poulsen

Materials & Finishes

MATERIALS

Shades: Hand-blown white opal glass or spun aluminum. Bottom diffuser: Frosted glass.
Suspension: aluminum.

FINISHES

Shades: White opal glass or soft -touch black-painted with white interior. Suspension: matte-black, powder-coated. Canopy: White.

Mounting

Canopy: White. Cord type: 2-conductor, 18 AWG black cloth-covered power cord. Cord length: 12 feet. Incandescent variants have a canopy of flat cone profile, 5.3 IN diameter x 1 IN tall. LED variants have a canopy of dome profile, 9.4 IN diameter x 4.3 IN tall. LED variants have an electronic, constant current, class II driver for 120-277V power supply housed inside canopy. For mounting instructions, see download section on the product detail page.

Information

Electrical:

System Wattage: 22W (INC) or 41W (LED)

LED Wattage: 20W (INC) or 39W (LED)

Delivered lumens: 1,187 (INC) - 2,297 (LED)

Efficacy: 56- 29 lm/W

Certifications: cULus, Dry Location

Protection class IP20

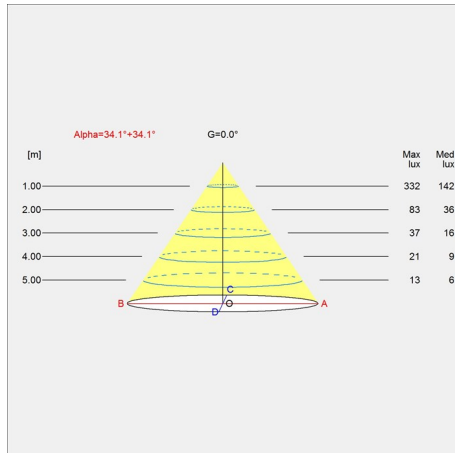
Controllability: Phase dimming or 0-10V dimming.

LED Color Rendering: $R_a \geq 90$

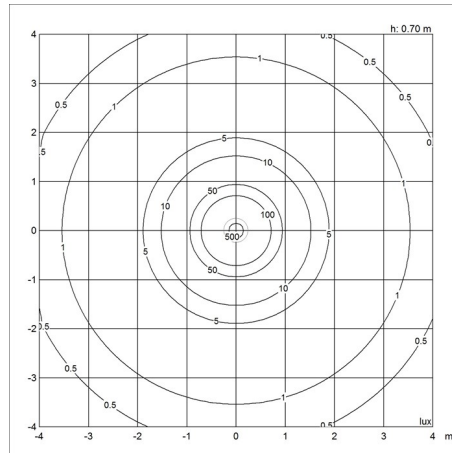
Dim-To-Warm LED CCT: 3000K (100%) to 1800K (5%) For the E-socket product variants, bulbs are not included. LED light source is part of the product.

Light distribution diagrams

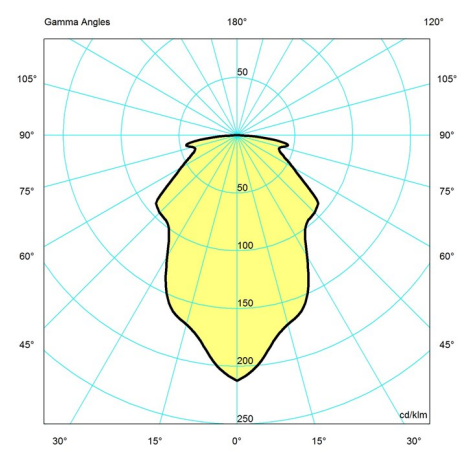
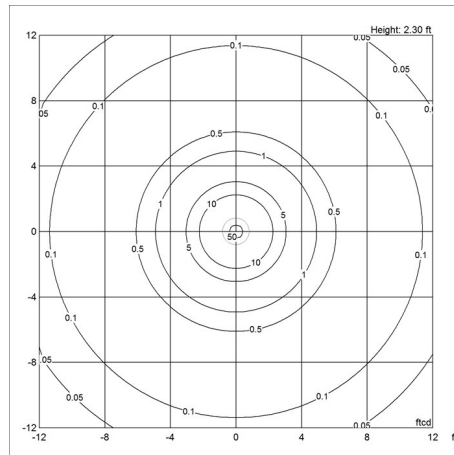
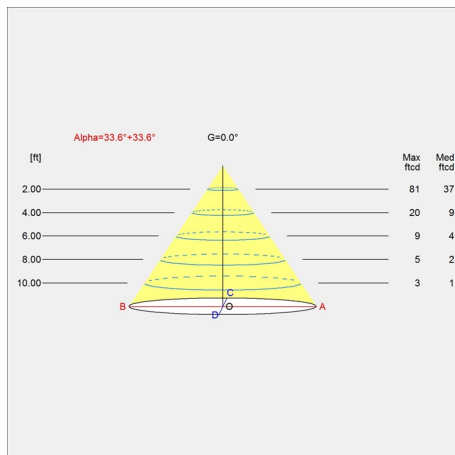
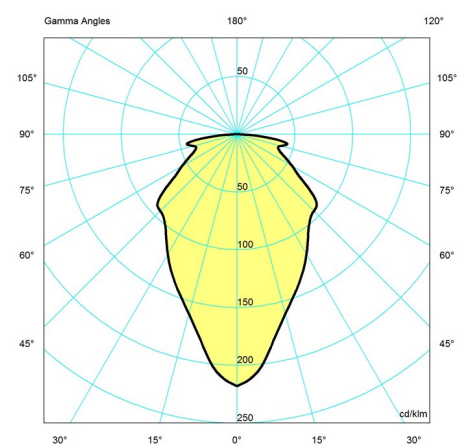
CARTESIAN



ISOLUX



POLAR



Variant Options

For particular variant options, please check our online Product Variants Configurator on the product detail page.

VARIANT NO.	LIGHT SOURCE	VOLTAGE/FRQ	LUMEN	FEATURES	CABLE
5741940521	1x22W A-21/medium		668	-	Black fabric cord
5741940534	1x22W A-21/medium		977	-	Black fabric cord
5741942794				Phase dimming (mains dimm)	Black fabric cord
5741942804				Phase dimming (mains dimm)	Black fabric cord
5741942817				Dim 1-10v	Black fabric cord
5741942820				Dim 1-10v	Black fabric cord
5741942833				Phase dimming (mains dimm)	Black fabric cord
5741942846				Phase dimming (mains dimm)	Black fabric cord
5741942859				Dim 1-10v	Black fabric cord
5741942862				Dim 1-10v	Black fabric cord