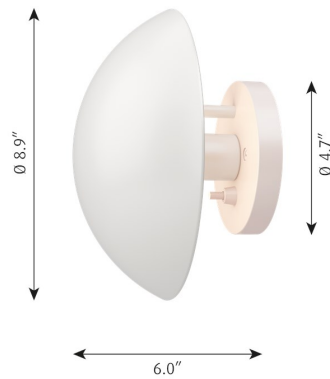


PH HAT

Designed by Poul Henningsen



Description

The fixture emits indirect 100% glare-free light. The light emission depends on the angle of the screen, which can be tilted from 0° to about 67°. The shade is rose coloured on the inside, giving the light a warm tone.

Variants

VARIANT NUMBER	COLOR, RAL	W / H / L (IN) / W (LB)
5743914940	WHT, 015	8.7 / 8.7 / 6 IN / 3.6 LB

Materials & Finishes

MATERIALS

Shade: Spun steel. Wall box: Spun steel.

FINISHES

The outer shade is white, wet-painted. The inner shade is rose-colored, wet-painted.

Mounting

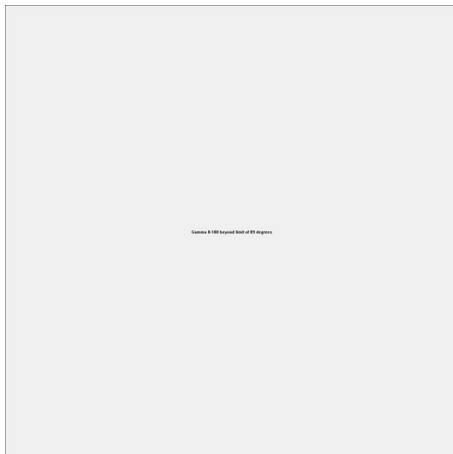
Surface: Mounted directly to a 4" octagonal junction-box. For mounting instructions, see download section on the product detail page.

Information

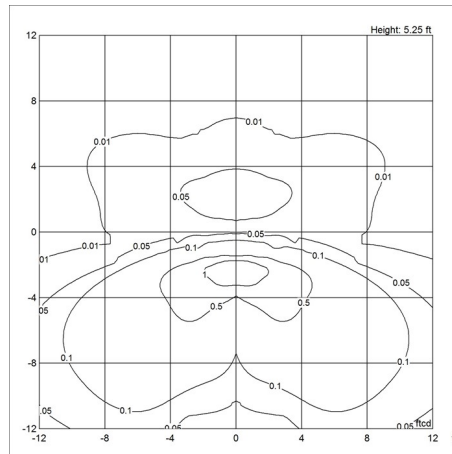
Electrical:
 System Wattage: 10W
 Delivered lumens: 174 lm
 Efficacy: 17.4 lm/W
 Certifications:
 cULus, Dry Location
 Protection class IP20
 Controllability: Phase Dimming
 Color Rendering: Ra≥90
 Actual performance dependent upon screw-base lamp used. For the E-socket product variants, bulbs are not included. LED light source is part of the product.

Light distribution diagrams

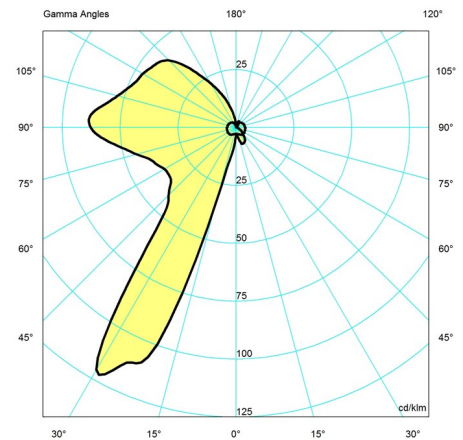
CARTESIAN



ISOLUX



POLAR



Variant Options

For particular variant options, please check our online Product Variants Configurator on the product detail page.

VARIANT NO.	LIGHT SOURCE	VOLTAGE/FRQ	LUMEN	FEATURES	CABLE
5743914940	1x10W E12		174	-	Without cord