

PULSAR 172

Project name:

Project type:

Notes:



Design

Alfred Homann

Product description

Pulsar 172 was designed by Alfred Homann in 1993. The Pulsar series was developed to optimize the utilization of light using a 24° angle shade which is optimal in order to allow the light to satisfactorily illuminate primary surfaces, such as floors and tables. Pulsar 172 is a recessed luminaire with flared white circular trim and silver colored flange. The light distribution is symmetric and directed downwards. The opal trim refracts light onto the ceiling surface to lower contrast with the dark surface. Integral lens diffuses the light.

Variant options

Mounting	Light source	Lumen	Voltage frequency
Type ic	LED 3000K 17W	1094	120-277V/60HZ
Type non-ic	LED 3000K 26W	1144	
	LED 3500K 17W	1508	
	LED 3500K 26W	1577	

Light description

Downward light distribution. C.O.B. style LED is recessed above ceiling to reduce angle of direct view. Aluminum reflector with matte finish for flood beam angle. Translucent lens covers the LED to reduce glare and widen distribution. Standard CCT in 3000K and 3500K, controlled by electronic driver.

Mounting

Semi-recessed: Mounting frame with two extendable hanger bars to be installed prior to closing the ceiling. Ceiling types: Type non-IC or Type IC, accessible and non-accessible ceilings. Ceiling cutout: 5.6" diameter. Mounting frame is 14.4" x 8.6". Type Non-IC height above ceiling is 4.3". Type IC Rough-in Section is an airtight box with above ceiling height of 6.8". Hanger bar length extends from 14" to 24" and may be installed along width or length of mounting frame. Hanger bars fit C-channel or flat bar and include pointed tabs for nail-less installation to wood joists. Included junction box allows pass through wiring and has knockouts for 1/2" trade size conduit. Finishing Section is a replaceable electrical assembly including LED, heatsink, and electronic LED driver for 120-277V operation and 0-10V dimming control. Finishing Section connects to Rough-in Section with a 5-pole tool-less quick connector and can be removed through the ceiling cutout. Heat sink mounted with two retractable tabs actuated by screws driven from below ceiling. Ceiling thickness range from 0.2" to 1.0". Trim attaches to the heat sink with a twist-lock mechanism. Trim is 2.0" tall with a 7.1" diameter flange.

Information

Electrical:

System Wattage: 17W or 26W

LED Wattage: 16W or 24W

Delivered lumens: 1,094- 1,577

Efficacy: 64 lm/W - 61 lm/W

Certifications:

cULus, Damp Location

Protection class IP20

Controllability: 0-10V Dimming

Color Rendering: Ra>90

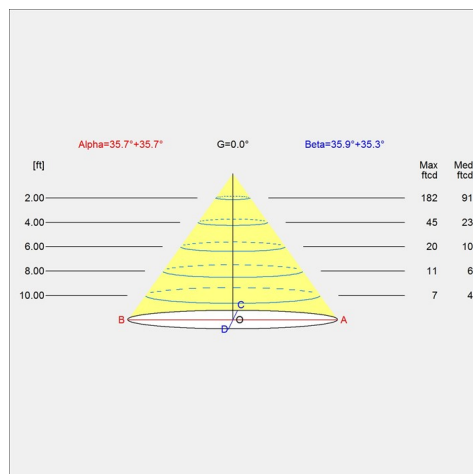
Finish

Metallic

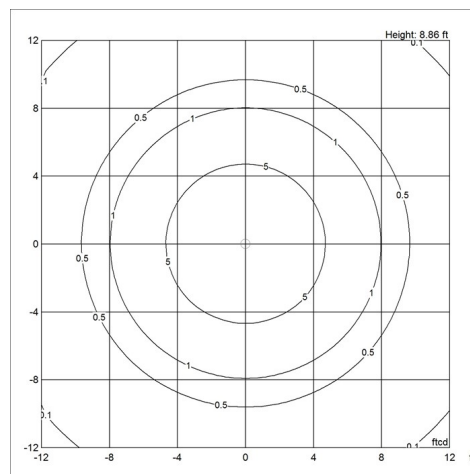
Light distribution diagrams

For the full data set on all variants, see louispoulsen.com.

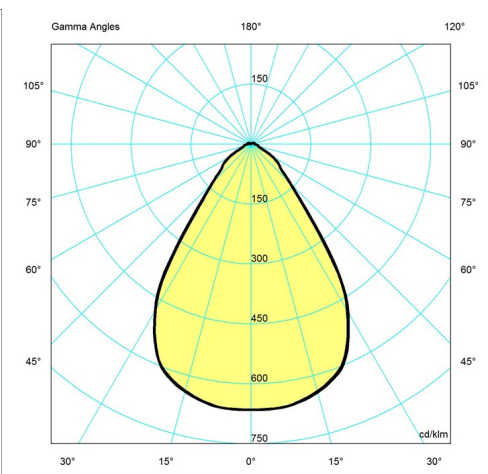
Cartesian



Isolux



Polar



Variant options

Mounting	Light source	Lumen	Voltage frequency	Variant number
Type ic	LED 3000K 17W	1094	120-277V/60HZ	10000137007
Type ic	LED 3500K 17W	1144	120-277V/60HZ	10000137008
Type non-ic	LED 3000K 26W	1508	120-277V/60HZ	10000137009
Type non-ic	LED 3500K 26W	1577	120-277V/60HZ	10000137010