

RIPLS

Project name:

Project type:

Notes:



Design

Jakob Wagner

Product description

Low profile, circular wall luminaire. The concave front lens is clear polycarbonate with undulating thickness of concentric rings like ripples in water. The ripples refract light creating a subtle change of appearance depending on viewing angle. The lens is illuminated with a higher intensity light towards the center that fades toward the edges. A diffuser offset sits deep in the fixture creating a sense of depth. A slim housing creates the appearance of a floating disk while perforations in the opaque housing allows indirect light to create a halo around the fixture.

Variant options

Dimension	Light source	Lumen	Voltage frequency
12.2 IN	LED 3000K 13W	1060	120-277V/60HZ
19.7 IN	LED 3000K 25W	1076	
	LED 3500K 13W	2322	
	LED 3500K 25W	2357	

Specification notes

- a. 11.6 IN size available only in 13W.
- b. 17.3 IN size available only in 25W.

Light description

Light distribution is 100% glare-free. Direct view of the light source is prevented to eliminate glare. Openings in the housing emit light onto the mounting surface. Standard CCT in 3000K, controlled by electronic driver.

Mounting

Mounts onto a 4 inch octagonal outlet box. The lens attaches to the housing with a twist-lock rotation. Electronic, constant current, class II driver for 120-277V operation and 0-10V dimming control housed inside luminaire. Meets ADA requirements for less than 4 IN projection from the wall.

Information

Electrical:

System Wattage: 13W or 25W

LED Wattage: 12W or 23W

Delivered lumens: 1,060 - 2,357

Efficacy: 81.5 lm/W - 94.3 lm/W

Certifications:

cULus, Damp Location

Protection class IP20

Controllability: 0-10V Dimming

Color Rendering: Ra≥90

Other functions

LED in 2700K, 4000K and 5000K . Alternative dimming controls. Tunable white system.

Specification notes

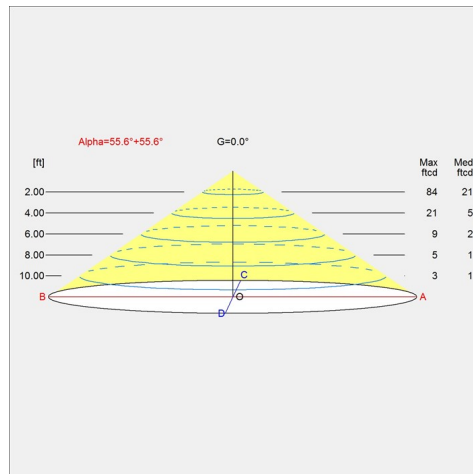
a. 11.6 IN size available only in 13W.

b. 17.3 IN size available only in 25W.

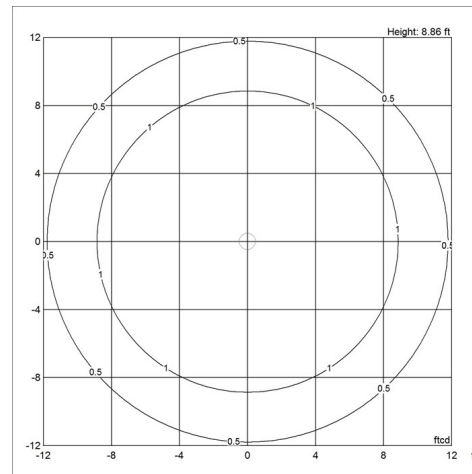
Light distribution diagrams

For the full data set on all variants, see louispoulsen.com.

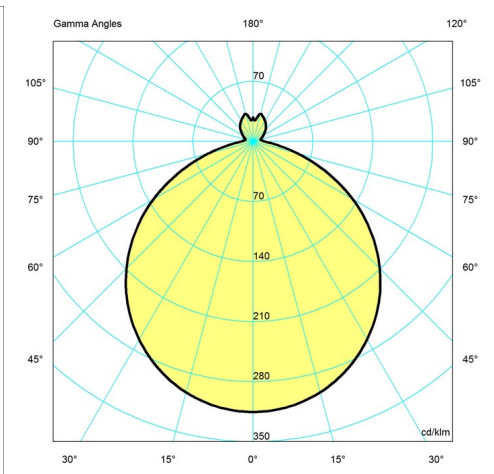
Cartesian



Isolux



Polar



Material

Lens is clear polycarbonate with minimum 0.06 IN thickness. Internal diffuser is high transference, opal acrylic 0.08 IN thick. Housing is opaque white polycarbonate 0.08 IN thick. Materials are UV resistant to prevent fading. Internal reinforcing plate is aluminum 0.03 IN thick.

Weight

Min: 3.439 lbs Max: 7.385 lbs

Dimensions

12.2 IN, 19.7 IN

Finish

Opal

Voltage

120-277V/60HZ

Variant options

Dimension	Light source	Lumen	Voltage frequency	Variant number
12.2 IN	LED 3500K 13W	1076	120-277V/60HZ	10000140833
12.2 IN	LED 3000K 13W	1060	120-277V/60HZ	10000140832
19.7 IN	LED 3000K 25W	2322	120-277V/60HZ	10000140834
19.7 IN	LED 3500K 25W	2357	120-277V/60HZ	10000140835