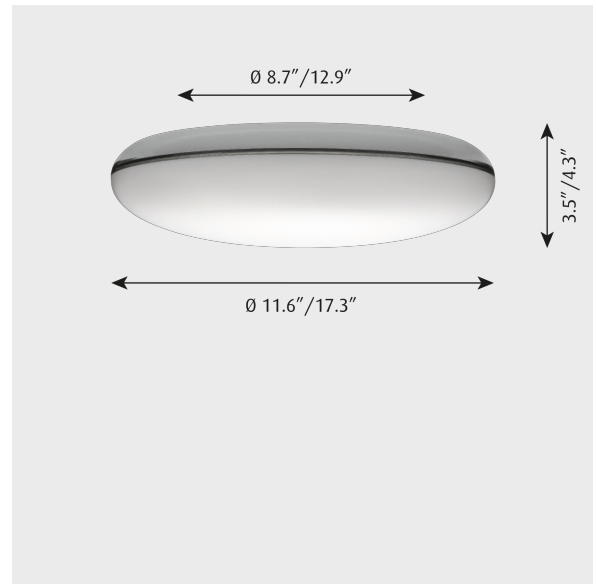


# SILVERBACK SURFACE

Project name:

Project type:

Notes:



## Design

KiBiSi

## Product description

The Silverback is designed by KiBiSi, KiBiSi is a concatenation of the names of the companies of the 3 key designers. "Ki" comes from Lars Larsen's Kilo Design, "Bi" from Bjarke Ingels' firm of architects BIG, and "Si" from Jens Martin Skibsted's agency Skibsted ID.

The fixture emits diffused light. The curved opal diffuser provides soft, pleasant, primarily downward directed room lighting. The Silverback blends into its surroundings like a chameleon. The semi-transparent metalized rear side of the diffuser reflects the surroundings. It merges seamlessly into its environment—a shining halo illuminates the wall and draws the background into the fixture. This adds a floating dimension to the installation. It's discreet and simple design unpretentiously suits all types of architecture, ensuring authentic adaptation to the surroundings.

The Silverback suspended fixture is available in 2 sizes: 11.6" and 17.3". It is also complemented with a ceiling and wall mounted versions.

## Variant options

### Dimension

11,6 IN  
17,3 IN

### Light source

LED 3000K 33W  
LED 3000K 9.8W

### Lumen

2401  
863

### Voltage frequency

120-277V/60HZ

## Specification notes

- a. 11.6 IN size available only in 10W.
- b. 17.3 IN size available only in 33W.

## Light description

Light distribution is spherical and 100% glare-free. Direct view of the light source is prevented to eliminate glare. Reflected light through the semi-transparent metalized upper section. High luminance in center of diffuser fading towards outer diameter to reveal curvature in luminaire body. Metalized section reflects surroundings. Standard CCT in 3000K, controlled by electronic driver.

## Mounting

Mounts onto a 4" octagonal outlet box. The shade attaches to mounting frame with three integral clips engaged with a twist-lock rotation. Electronic, constant current, class II driver for 120-277V operation and 0-10V dimming control housed inside luminaire. 11.6" size meets ADA requirements for less than 4" projection from the wall.

## Information

Electrical:  
 System Wattage: 10W or 33W  
 LED Wattage: 9 W or 30 W  
 Delivered lumens: 863 - 2,117  
 Efficacy: 86.3 lm/W - 64.2 lm/W  
 Certifications: cULus, Damp Location  
 Protection class IP20  
 Controllability: 0-10V Dimming  
 Color Rendering: Ra≥90

## Other functions

LED in 2700K, 4000K and 5000K . Alternative dimming controls. Tunable white system.

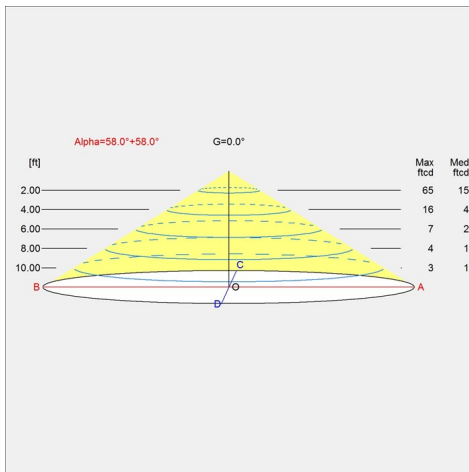
## Specification notes

- a. 11.6 IN size available only in 10W.
- b. 17.3 IN size available only in 33W.

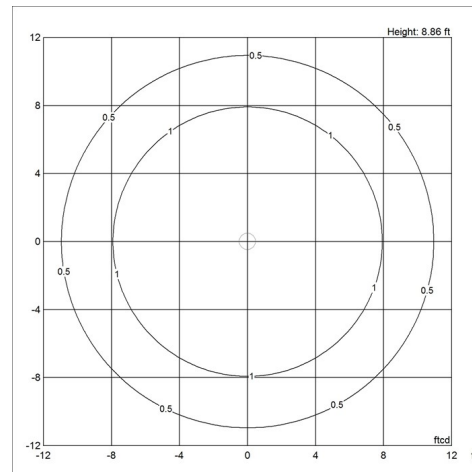
# Light distribution diagrams

For the full data set on all variants, see [louispoulsen.com](http://louispoulsen.com).

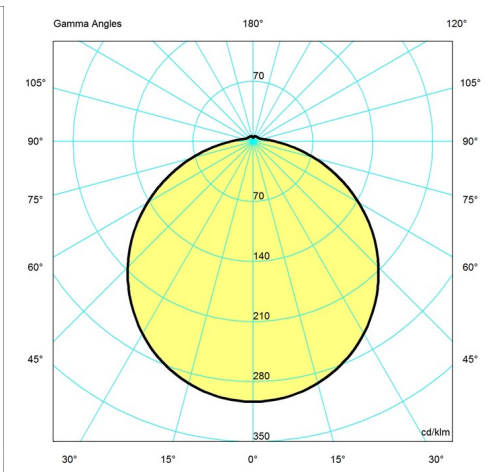
Cartesian



Isolux



Polar



## Material

Shade front is high transference, opal acrylic 0. 08 IN thick. Shade rear is metallized and translucent polycarbonate, 0. 08 IN thick. Materials are UV resistant to prevent fading. 11. 6 IN housing is die-cast aluminium 0. 1 IN thick. 17. 3 IN housing is die stamped steel 0. 06 IN thick. Canopy is spun aluminum, 0. 03 IN thick.  
 Opal

## Weight

Min: 3.556 lbs Max: 5.313 lbs

## Dimensions

11,6 IN, 17,3 IN

## Finish

Opal

## Voltage

120-277V/60HZ

## Variant options

Dimension	Light source	Lumen	Voltage frequency	Variant number
11,6 IN	LED 3000K 9.8W	863	120-277V/60HZ	5743912528
17.3 IN	LED 3000K 33W	2401	120-277V/60HZ	5743912515