

VL38 TABLE

Designed by Vilhelm Lauritzen



Description

The fixture emits downward directed light. The angle of the shade can be adjusted to optimize light distribution. The shade is painted white on the inside to ensure a soft comfortable light.

Variants

VARIANT NUMBER	COLOR, RAL	W / H / L (IN) / W (LB)
5744162322	WHT, T08	5.3 / 15 / 6.9 IN / 5.1 LB
5744163211	BLK, T09	5.3 / 15 / 6.9 IN / 5.1 LB

Materials & Finishes

MATERIALS

Base: Die cast aluminum Shade: Spun aluminum. Stem: Brushed brass.

FINISHES

Brushed brass. Black or white, powder coated.

Mounting

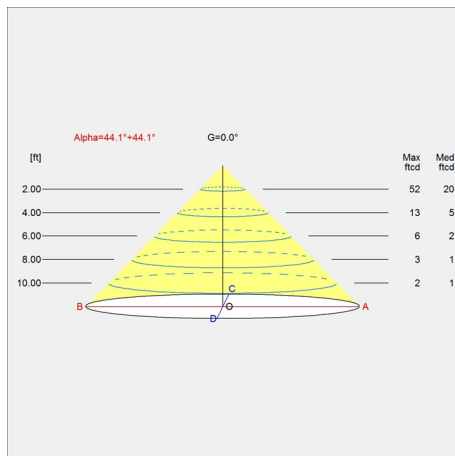
Cord type: White or black. Cord length: 10'. Switch: High/low/off switch on the base. LED driver: Separate, plugs into power outlet. For mounting instructions, see download section on the product detail page.

Information

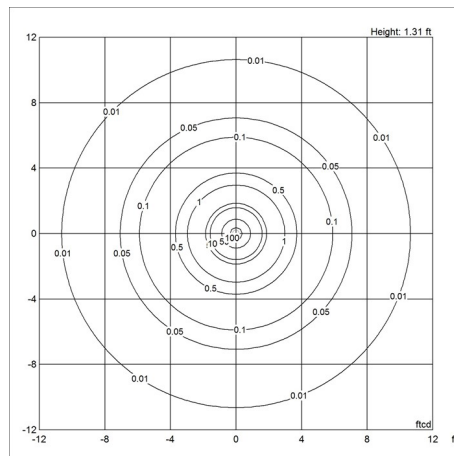
Please note that the brass surfaces are untreated. This means that the surface will change over time and develop a patina. For the E-socket product variants, bulbs are not included. LED light source is part of the product.

Light distribution diagrams

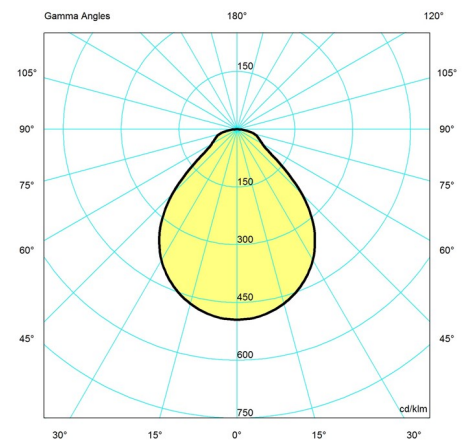
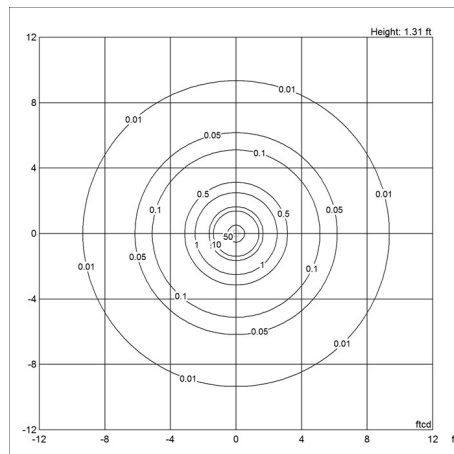
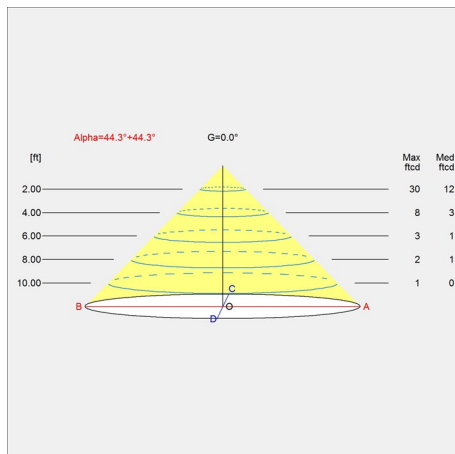
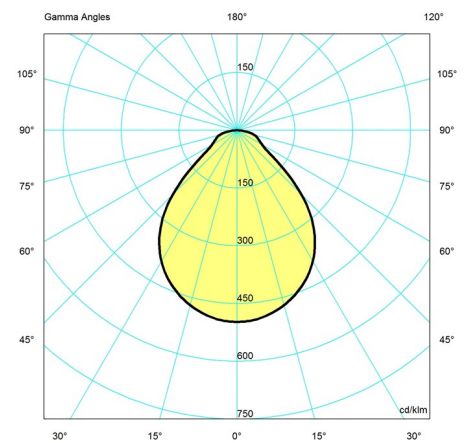
CARTESIAN



ISOLUX



POLAR



Variant Options

For particular variant options, please check our online Product Variants Configurator on the product detail page.

VARIANT NO.	LIGHT SOURCE	VOLTAGE/FRQ	LUMEN	FEATURES	CABLE
5744162322	LED 2700K 9.6W	120V	416	-	-
5744163211	LED 2700K 9.6W	120V	416	-	-

