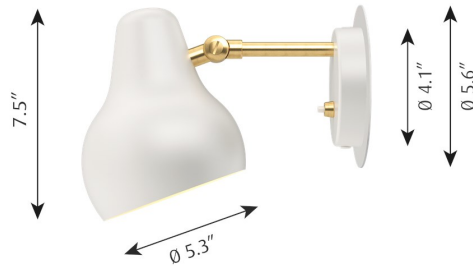


VL38 WALL

Designed by Vilhelm Lauritzen



Description

The fixture emits downward directed light. The angle of the shade can be adjusted to optimize light distribution. The shade is painted white on the inside to ensure a soft comfortable light.

Variants

VARIANT NUMBER	COLOR, RAL	W / H / L (IN) / W (LB)
5743903964	BLK, T09	5.3 / 7.5 / 11.4 IN / 2.4 LB
5743904730	WHT, T08	5.3 / 7.5 / 11.4 IN / 2.4 LB

Materials & Finishes

MATERIALS

Wall box: Punched aluminum. Shade: Spun aluminum. Arm: Brushed brass.

FINISHES

Brushed brass. Black or White, powder coated.

Mounting

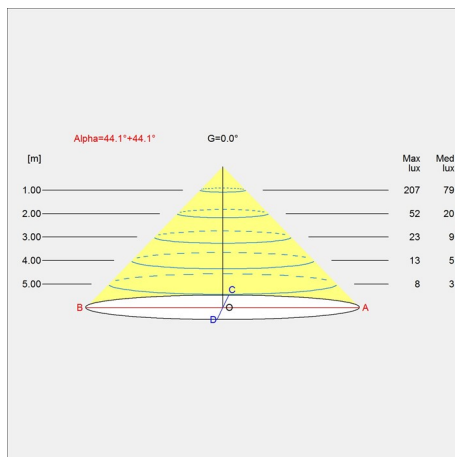
Surface: Mounted directly to finished surface over a 4" octagonal junction-box. For mounting instructions, see download section on the product detail page.

Information

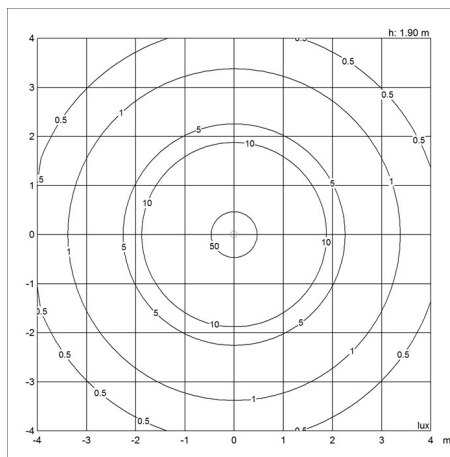
Electrical:
 System Wattage: 10W
 LED Wattage: 9W
 Delivered lumens: 416
 Efficacy: 41.3 lm/W
 Certifications:
 cULus, Dry Location
 Protection class IP20
 Controllability: Dimming by integral button switch
 Color Rendering: Ra≥90 For the E-socket product variants, bulbs are not included. LED light source is part of the product.

Light distribution diagrams

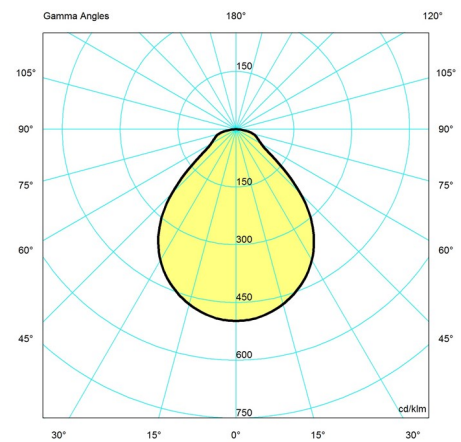
CARTESIAN



ISOLUX



POLAR



Variant Options

For particular variant options, please check our online Product Variants Configurator on the product detail page.

VARIANT NO.	LIGHT SOURCE	VOLTAGE/FRQ	LUMEN	FEATURES	CABLE
5743903964	LED 2700K 9.6W	120V	416	-	Without cord
5743904730	LED 2700K 9.6W	120V	416	-	Without cord