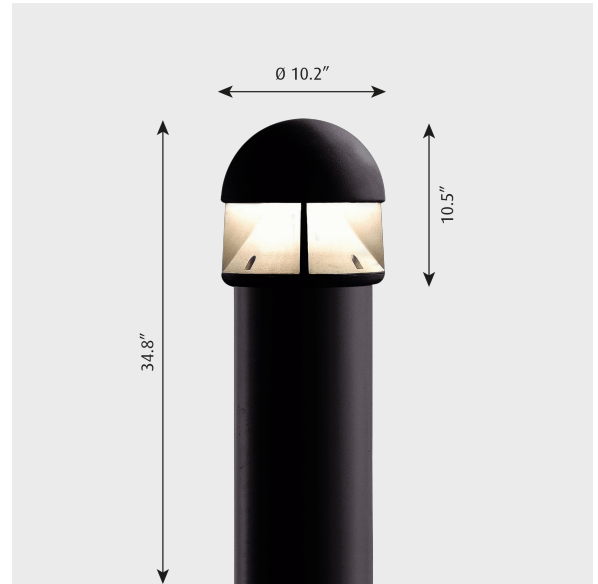


WATERFRONT

Project name:

Project type:

Notes:



Design

Dan Borgen Haslov

Variant options

Color

- Graphite grey texture
- Natural paint aluminum

Light source

LED 3000K 28W

Lumen

570
670

Voltage frequency

120-277V/60HZ

Weight

Min: 28.733 lbs Max: 29.163 lbs

Finish

Graphite grey texture, Natural paint aluminum

Information

Electrical: System :
Wattage: 20W
LED Wattage: 17W
Delivered lumens: 640-780 lm
Efficacy: 32-39 lm/W
Certifications:
cULus, Wet Location
Protection Class IP65
IK class 10
BUG Rating: B0-U2-G0
Controllability: 0-10V Dimming Min.-Max. Ambient Temp: -40°C to +70°C
Color Rendering: Ra≥80
Please contact Louis Poulsen for 2700K or 4000K.

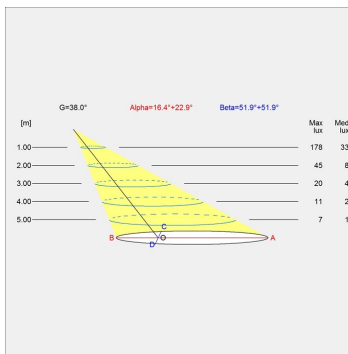
Voltage

120-277V/60HZ

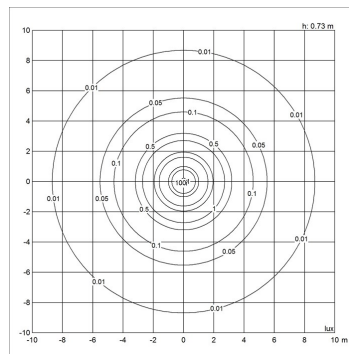
Light distribution diagrams

For the full data set on all variants, see louispoulsen.com.

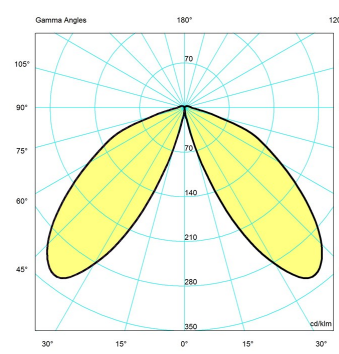
Cartesian



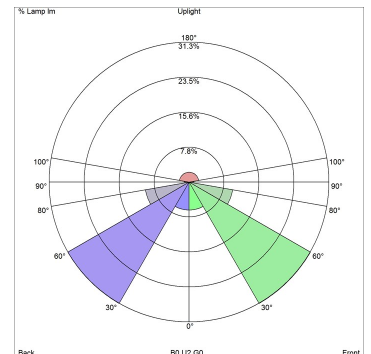
Isolux



Polar



Bug



Variant options

Color	Light source	Lumen	Voltage frequency	Variant number
<input checked="" type="radio"/> Graphite grey texture	LED 3000K 28W	570	120-277V/60HZ	5747931301
<input type="radio"/> Natural paint aluminum	LED 3000K 28W	670	120-277V/60HZ	5747931327