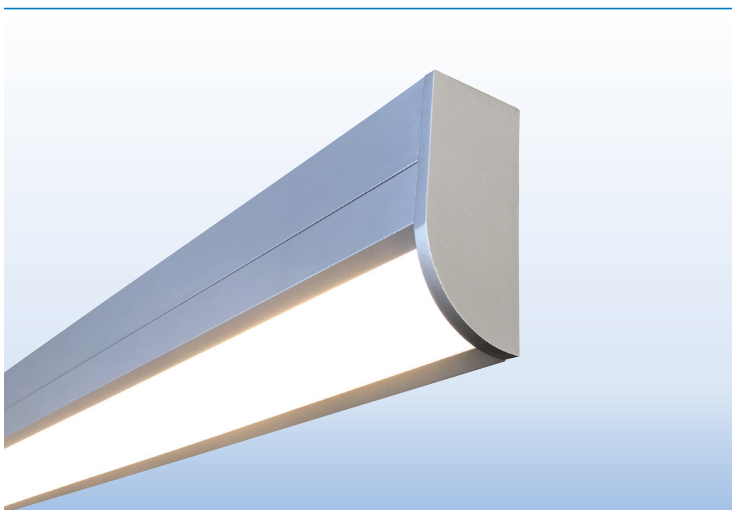
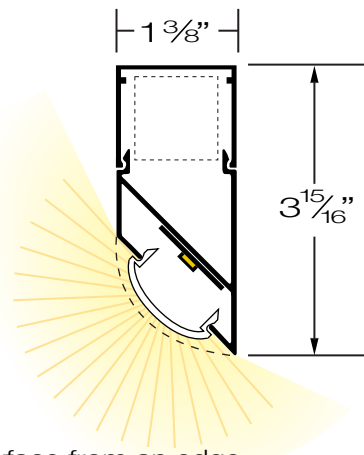


HIGH PERFORMANCE 45° ASYMMETRIC



PROJECT:
TYPE:



Asento asymmetric fixtures are specifically designed to illuminate a flat surface from an edge.

SPECIFICATIONS

HOUSING	Extruded aluminum housing up to 12' long. Continuous runs available.
FINISH	Satin anodized or white paint finish standard. Custom finish optional.
LENS	Extruded DR acrylic, snap-on frosted widespread lens.
LED DRIVER	Integral, universal voltage; 0-10V dimming standard; 1% or 10% dimming.
MOUNTING	Cable Suspended and Surface Mount; See page 2 and 3 for details.
LED's	60,000 hours. (L70), High uniformity, 80 CRI
CERTIFICATION	ETL/CSA listed for damp locations. LM79 2001431 MADE IN THE USA

LED COLOR & LUMEN OPTIONS

4' – 24" BOARDS		LUMENS PER FOOT – WATTS PER FOOT – LUMENS PER WATT								
LED COLOR	CRI	LOW			MEDIUM			HIGH		
WHITE 2700K	80	500 L/FT	3.5 W/FT	136 L/W	870 L/FT	6.5 W/FT	130 L/W	1160 L/FT	9.0 W/FT	127 L/W
WHITE 3000K	80	530 L/FT	3.5 W/FT	144 L/W	915 L/FT	6.5 W/FT	137 L/W	1220 L/FT	9.0 W/FT	133 L/W
WHITE 3500K	80	535 L/FT	3.5 W/FT	144 L/W	920 L/FT	6.5 W/FT	137 L/W	1225 L/FT	9.0 W/FT	133 L/W
WHITE 4000K	80	560 L/FT	3.5 W/FT	151 L/W	970 L/FT	6.5 W/FT	145 L/W	1290 L/FT	9.0 W/FT	140 L/W

Higher lumen packages available.

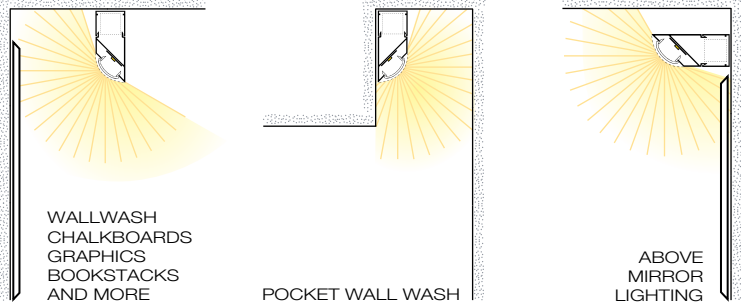
FIXTURE LENGTHS

NOMINAL LENGTH	2'	3'	4'	5'	6'	7'	8'	9'	10'	11'	12'
ACTUAL LENGTH	23"	34"	49"	56"	73"	89"	97"	112"	121"	134"	145"

PART NUMBER

SERIES	LUMENS	LED COLOR	VOLTS	MOUNTING	ENDCAP STYLE	FINISH	LENGTH
AS1	L LOW	27K 2700K	UNV	<u>CABLE SUSPENDED</u>	<u>STANDARD</u>	S SATIN	2' 8"
	M MEDIUM	3K 3000K	(120/277)	SK36 36" CABLE KIT	SEB BLANK ENDS	W WHITE	3' 9"
	H HIGH	35K 3500K	10% DIM	SK48 48" CABLE KIT	SEK ONE END K/O	C CUSTOM	4' 10"
	CP CUSTOM PROGRAMMED (Specify Lumens/FT or Watts/FT)	4K 4000K	UNV 1%	SK72 72" CABLE KIT	SBEK BOTH ENDS K/O		5' 11"
			(120/277)	<u>SURFACE MOUNT</u>	<u>ARCHITECTURAL</u>		6' 12"
			1% DIM	SM SURFACE MOUNT	AEB BLANK ENDS		7'
				JBP J BOX PLATE			

SURFACE MOUNT

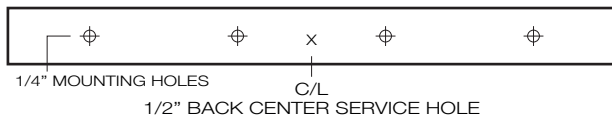


WALLWASH
CHALKBOARDS
GRAPHICS
BOOKSTACKS
AND MORE

POCKET WALL WASH

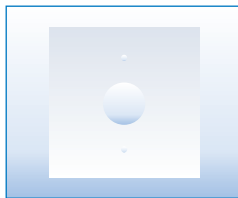
ABOVE
MIRROR
LIGHTING

MOUNTING DETAILS



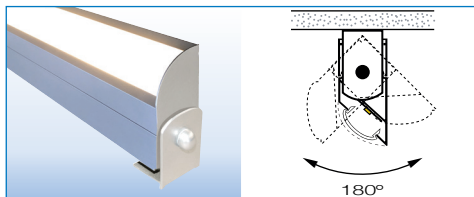
- 1/4" Mounting holes provided evenly spaced on back channel.
- 1/2" Back center service hole for snap-in connector provided for surface mount applications when using standard blank endcap or architectural endcap.
- 2' fixtures require off center service hole due to 12" driver

Note: Narrow housing will not cover recessed J Box. Whip feed recommended. Use optional "JBP" canopy plate for J-Box mount. (See Picture Below)



JBP - J BOX PLATE

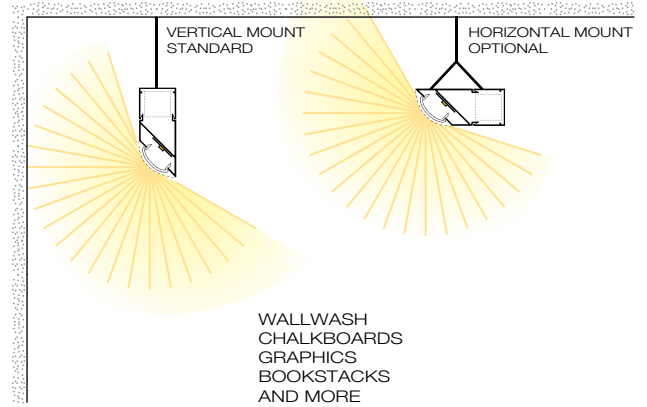
5" FLAT CANOPY PLATE TO COVER J-BOX



AM - ADJUSTABLE MOUNT

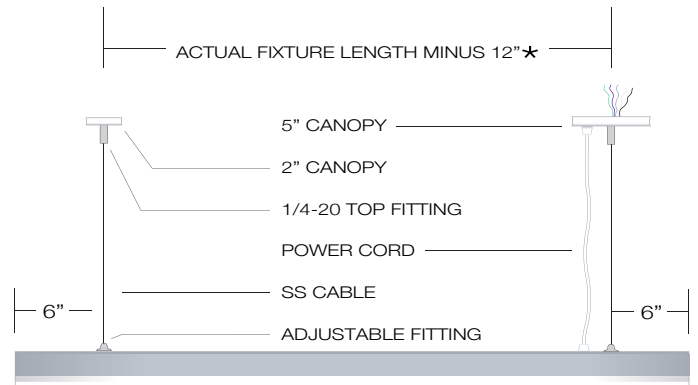
ADJUSTABLE END BRACKETS 3' CORD STANDARD (8' FIXTURE MAX.)

CABLE SUSPENDED



WALLWASH
CHALKBOARDS
GRAPHICS
BOOKSTACKS
AND MORE

MOUNTING DETAILS



SK36 36" Suspension Kit

SK48 48" Suspension Kit

SK72 72" Suspension Kit

Other cable lengths available.

Suspension Kit includes:

(2) Top Fittings for 1/4-20 Rod

(2) Adjustable Bottom Fittings

(2) Aircraft Cables

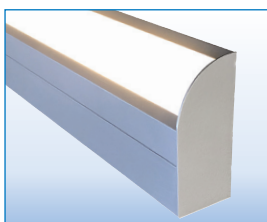
(1) Prewired 18/5 White SVT Cord

(1) White Canopy with Mounting Hardware

★Custom pendant spacing available; consult factory

★Lengths over 8' require center cable support

ENDCAP STYLES

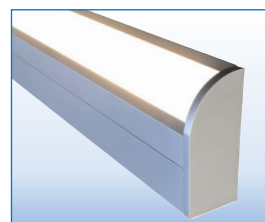


STANDARD ENDCAP

SEB BLANK ENDS

SEK ONE END K/O

SBEK BOTH END K/O



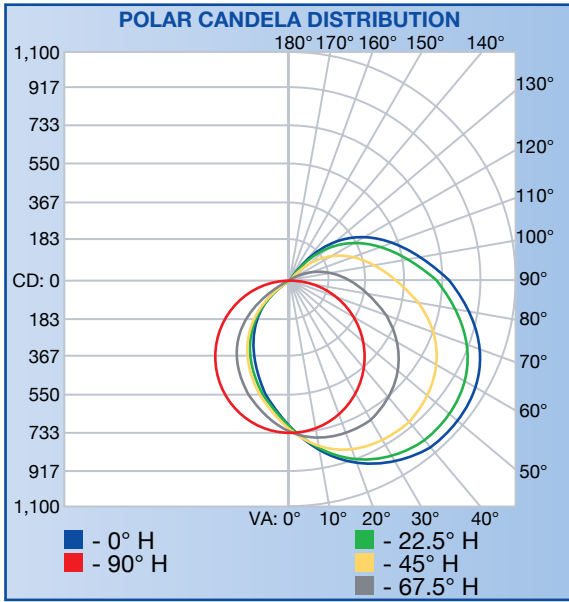
AEB - ARCHITECTURAL ENDCAP

3/16" BLANK PLATE ENDCAP

1/2" BACK SERVICE HOLE

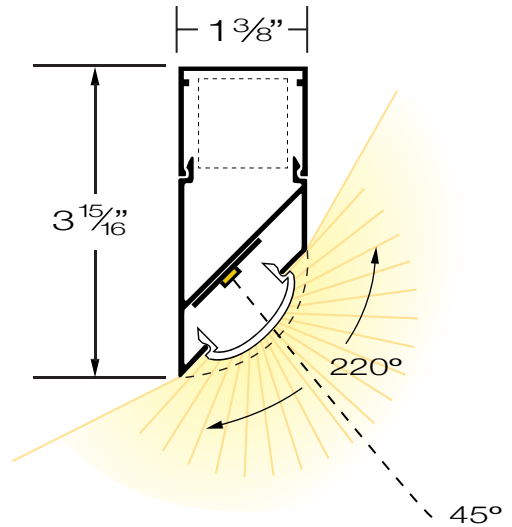
FOR SURFACE MOUNT

POLAR GRAPH

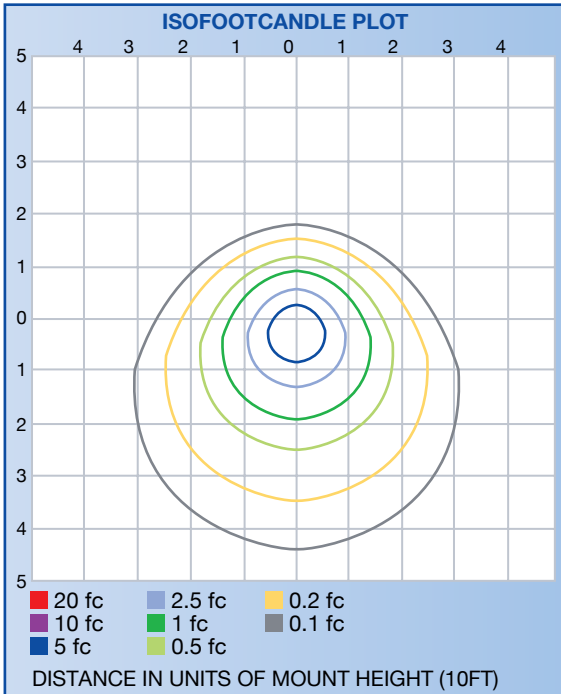


*Photometrics available on Primus website or call us to request.

FIXTURE END VIEW



ISOILLUMINATION PLOT



ILLUMINANCE – CONE OF LIGHT

	ILLUMINANCE AT A DISTANCE	
	Center Beam fc	Beam Width
2.0ft	187.5 fc	7.7 ft 6.0 ft
4.0ft	46.9 fc	15.5 ft 12.0 ft
6.0ft	20.8 fc	23.2 ft 18.0 ft
8.0ft	11.7 fc	30.9 ft 24.0 ft
10.0ft	7.5 fc	38.7 ft 30.0 ft

■ VERT. SPREAD 125.3°
■ HORIZ. SPREAD 112.6°