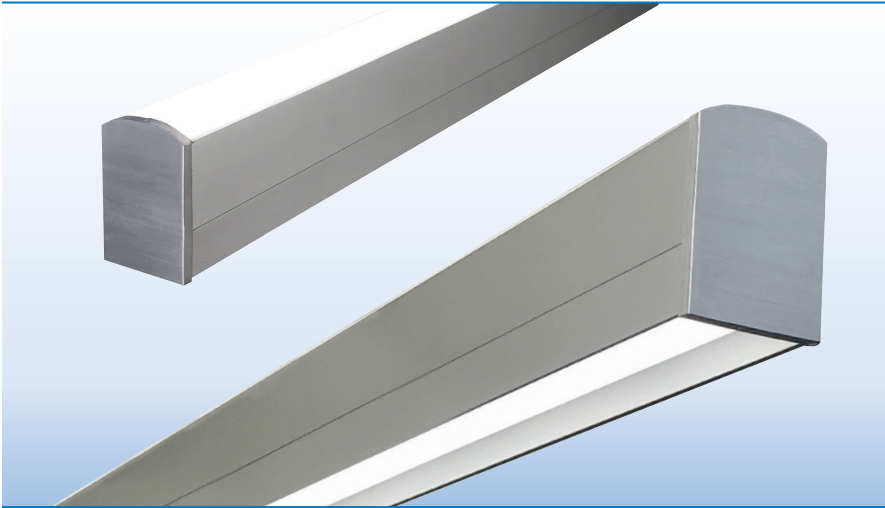
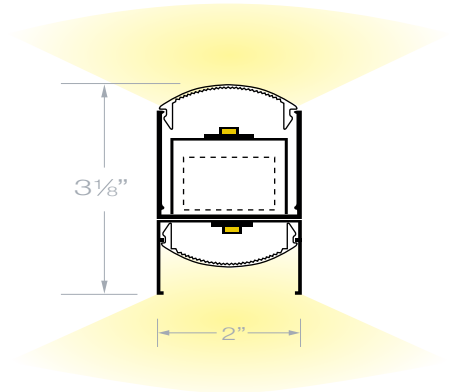


DIRECT / INDIRECT LIGHT LINEAR LED FIXTURE



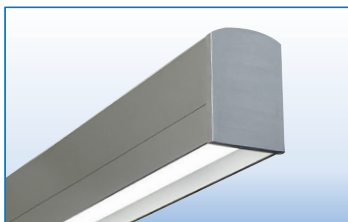
| |
|----------|
| PROJECT: |
| TYPE: |



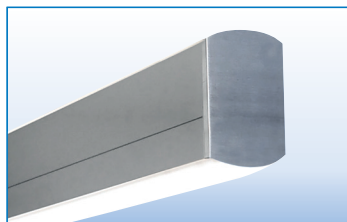
SPECIFICATIONS

| | |
|----------------------|---|
| DESCRIPTION | Architectural direct/indirect linear LED luminaire. |
| HOUSING | Extruded aluminum housing, 2" wide and up to 12' long; no exposed hardware. |
| FINISH | Satin anodized or white paint finish standard. Custom finish optional. |
| LENS | White frosted acrylic, smooth uniformity and no pixelization. TOP LENS: Flat Round Lens. DOWN LENS: Four Styles (See Below & Page 2 for Dimensions) |
| LED DRIVER | Integral (<i>Included</i>), Universal Voltage; 1% and 10% 0-10V Dimming Standard; Custom Programmable. |
| MOUNTING | Cable Suspended & Wall Mount: See Page 3 for details. |
| LED's | (LED boards) 50,000 hours. (L70), 80 CRI, 2700K, 3000K, 3500K and 4000K. |
| CERTIFICATION | ETL/CSA listed for damp locations. 2001431 MADE IN THE USA |

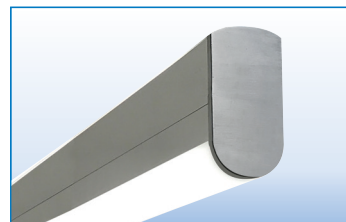
LENS OPTIONS



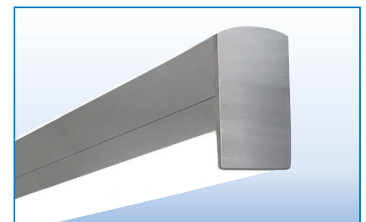
DL - RGL – REGRESSED



DL - FRL – FLAT ROUND LENS



DL - RLR – ROUND LENS

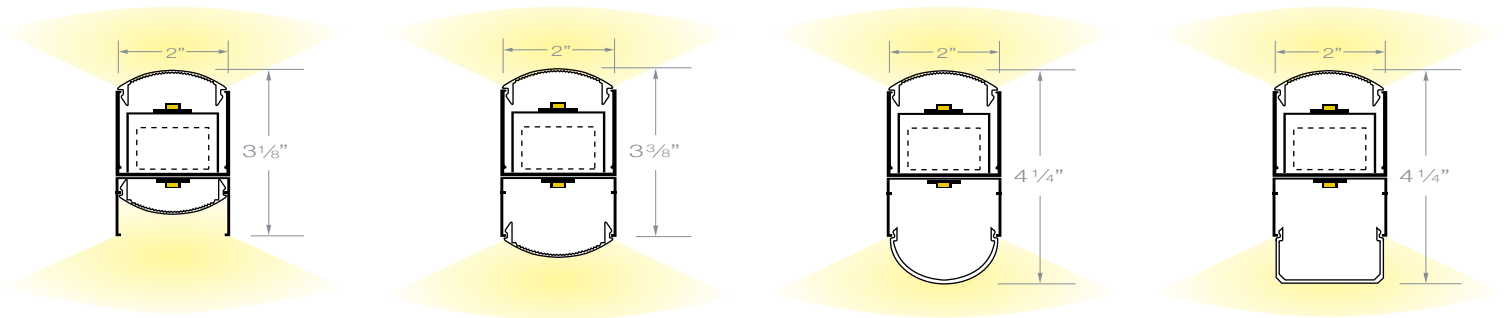


DL - SQL – SQUARE LENS

PART NUMBER

| SERIES | LUMENS | COLOR | VOLTS | ENDCAP STYLE | MOUNTING | FINISH | LENGTH |
|----------|--|-----------|--------------------------|-----------------------------|---|-----------------|--|
| DL - RGL | L/L LOW | 27K 2700K | 120V/277V | <u>STANDARD ENDCAP</u> | <u>SURFACE MOUNT</u> | S SATIN | 2' 8' |
| DL - FRL | M/M MEDIUM | 3K 3000K | UNV 1 1% DIM | SEB BLANK ENDS | WM WALL MOUNT | W WHITE | 4' 10' |
| DL - RLR | H/H HIGH | 35K 3500K | UNV 10 10% DIM | <u>ARCHITECTURAL ENDCAP</u> | <u>CABLE SUSPENDED</u> | C CUSTOM | 6' 12' |
| DL - SQL | CP CUSTOM PROGRAMMED (Specify Lumens/FT or Watts/FT) | 4K 4000K | | AEB BLANK ENDS | SK36 36" CABLE KIT SK48 48" CABLE KIT SK72 72" CABLE KIT | | SQUARES & RECTANGLES <small>CONSULT FACTORY</small> |

ENDVIEWS (PROFILE DIMENSIONS)



DL – RGL
REGRESSED LENS

DL – FRL
FLAT ROUND LENS

DL – RLR
ROUNDED LENS

DL – SQL
SQUARE LENS

*Consult factory for square and rectangle patterns.

LUMENS & LED COLOR OPTIONS

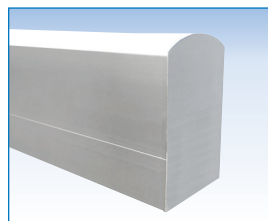
| LED COLOR (85 CRI) | | LUMENS PER FOOT – WATTS PER FOOT – LUMENS PER WATT | | | | | | | | |
|--------------------|-------|--|----------|---------|-----------|-----------|---------|-----------|----------|---------|
| | | LOW | | | MEDIUM | | | HIGH | | |
| WHITE 2700K | UP | 500 L/FT | 3.5 W/FT | 136 L/W | 870 L/FT | 6.5 W/FT | 130 L/W | 1160 L/FT | 9.0 W/FT | 127 L/W |
| | DOWN | 500 L/FT | 3.5 W/FT | 136 L/W | 870 L/FT | 6.5 W/FT | 130 L/W | 1160 L/FT | 9.0 W/FT | 127 L/W |
| | TOTAL | 1000 L/FT | 7.0 W/FT | | 1740 L/FT | 13.0 W/FT | | 2300 L/FT | 18 W/FT | |
| WHITE 3000K | UP | 530 L/FT | 3.5 W/FT | 144 L/W | 915 L/FT | 6.5 W/FT | 137 L/W | 1220 L/FT | 9.0 W/FT | 133 L/W |
| | DOWN | 530 L/FT | 3.5 W/FT | 144 L/W | 915 L/FT | 6.5 W/FT | 137 L/W | 1220 L/FT | 9.0 W/FT | 133 L/W |
| | TOTAL | 1060 L/FT | 7.0 W/FT | | 1830 L/FT | 13.0 W/FT | | 2440 L/FT | 18 W/FT | |
| WHITE 3500K | UP | 535 L/FT | 3.5 W/FT | 144 L/W | 920 L/FT | 6.5 W/FT | 137 L/W | 1225 L/FT | 9.0 W/FT | 133 L/W |
| | DOWN | 535 L/FT | 3.5 W/FT | 144 L/W | 920 L/FT | 6.5 W/FT | 137 L/W | 1225 L/FT | 9.0 W/FT | 133 L/W |
| | TOTAL | 1070 L/FT | 7.0 W/FT | | 1840 L/FT | 13.0 W/FT | | 2450 L/FT | 18 W/FT | |
| WHITE 4000K | UP | 560 L/FT | 3.5 W/FT | 151 L/W | 970 L/FT | 6.5 W/FT | 145 L/W | 1290 L/FT | 9.0 W/FT | 140 L/W |
| | DOWN | 560 L/FT | 3.5 W/FT | 151 L/W | 970 L/FT | 6.5 W/FT | 145 L/W | 1290 L/FT | 9.0 W/FT | 140 L/W |
| | TOTAL | 1120 L/FT | 7.0 W/FT | | 1940 L/FT | 13.0 W/FT | | 2580 L/FT | 18 W/FT | |

Values include .85 driver efficiency factor. Higher lumen packages available.

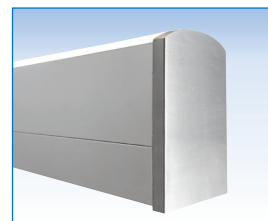
Optional: Can specify different lumens independently for both top and bottom of fixture.

Example: L/H = "L" for low top lumens and "H" for bottom high lumens. This option requires additional drivers. Please consult factory for details and additional cost.

ENDCAP STYLES

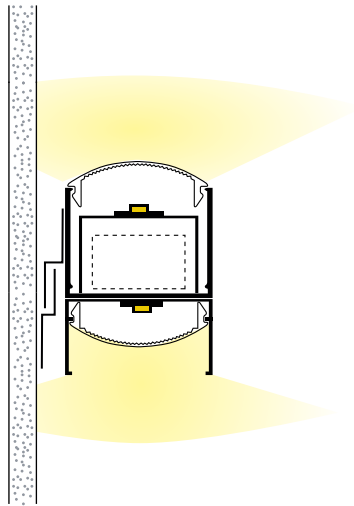


STANDARD ENDCAP
K/O OPTIONS
SEB BLANK ENDS



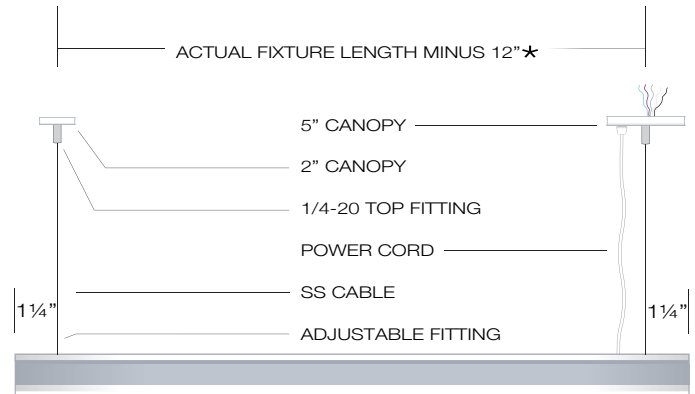
ARCHITECTURAL ENDCAP
AEB BLANK ENDS
3/16" PLATE ENDCAP

WALL MOUNT



Mounting Brackets Included:
For more information, see installation instructions at primuslighting.com

CABLE SUSPENDED



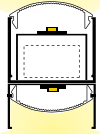
- SK36** 36" Suspension Kit
- SK48** 48" Suspension Kit
- SK72** 72" Suspension Kit
- Other cable lengths available.

- Suspension Kit includes:**
- (2) Top Fittings for 1/4-20 Rod
 - (2) Adjustable Bottom Fittings
 - (2) Aircraft Cables
 - (1) Prewired 18/5 White SVT Cord
 - (1) 5" White Canopy with Mounting Hardware
 - (1) 2" White Canopy

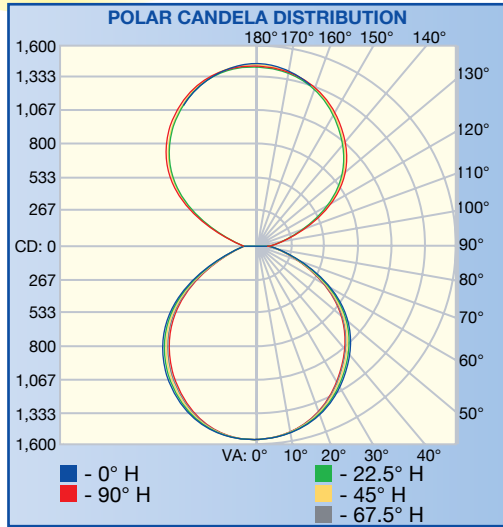
FIXTURE LENGTHS

| | | | | | | |
|-----------------------|-----|-----|-----|-----|------|------|
| NOMINAL LENGTH | 2' | 4' | 6' | 8' | 10' | 12' |
| ACTUAL LENGTH | 25" | 49" | 73" | 97" | 121" | 145" |

CANDELA DISTRIBUTION CURVES



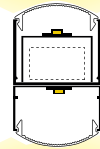
DL – RGL - REGRESSED LENS



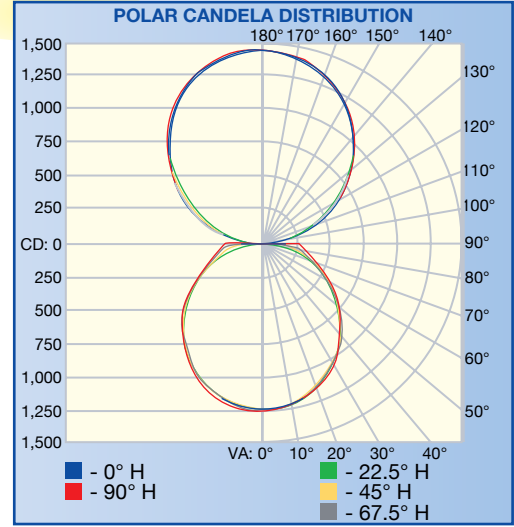
POLAR GRAPH

REPORT NO.: 103858894LAX-001

DL- RGL- H/H- 35K- 4' (DOBLE-LED REGRESSED LENS)



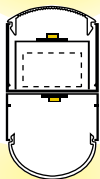
DL – FRL - FLAT ROUND LENS



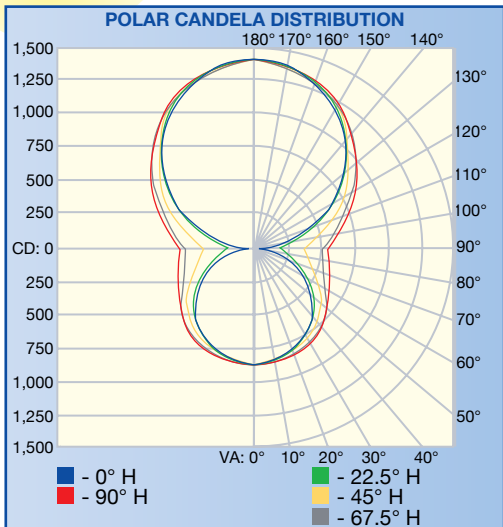
POLAR GRAPH

REPORT NO. 103858894LAX-002

DL- FRL- H/H- 35K- 4' (DOBLE-LED FRL LENS)



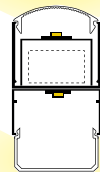
DL – RLR - ROUND LENS



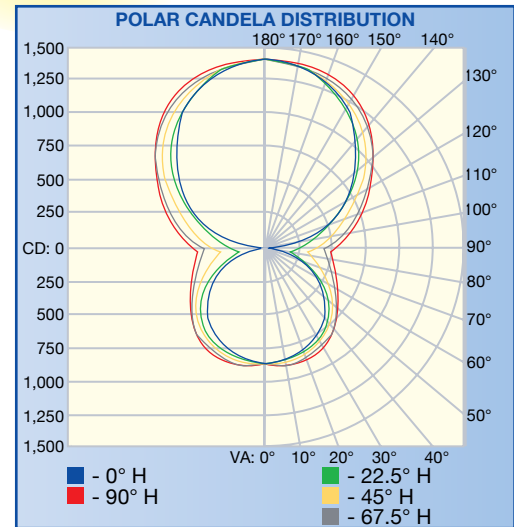
POLAR GRAPH

REPORT NO. 103858894LAX-003

DL- RLR- H/H- 35K- 4' (DOBLE-LED RLR LENS)



DL – SQL - SQUARE LENS



POLAR GRAPH

REPORT NO. 103858894LAX-004

DL- SQL- H/H- 35K- 4' (DOBLE-LED SQL LENS)

* IES FILES AVAILABLE; CONSULT FACTORY

SPECIFICATIONS ARE SUBJECT TO CHANGE
DUE TO CONTINUOUS ADVANCES IN TECHNOLOGY
© PRIMUS LIGHTING, INC. ALL RIGHTS RESERVED