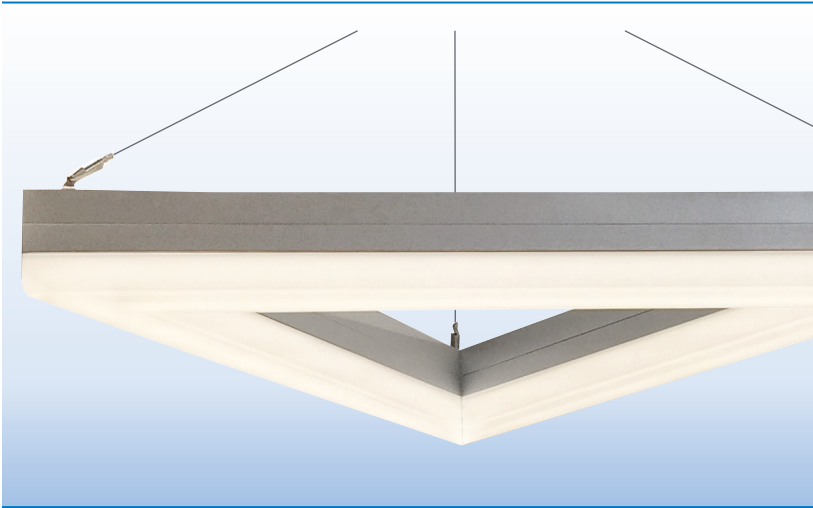


## LED TRIANGLES / CABLE SUSPENDED / SURFACE MOUNT

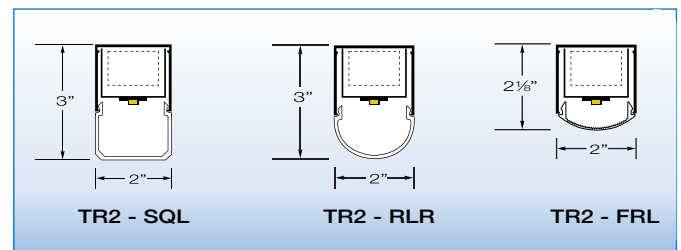
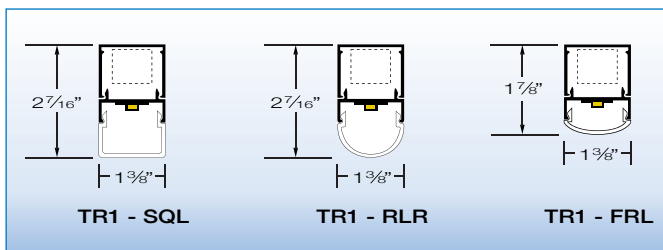


|          |
|----------|
| PROJECT: |
| TYPE:    |

### SPECIFICATIONS

|                      |   |
|----------------------|---|
| <b>DESCRIPTION</b>   | Architectural LED triangles, available with down light or up light.                                     |
| <b>HOUSING</b>       | Extruded aluminum housing, 2" and 1 3/8" wide.  |
| <b>FINISH</b>        | Powder coat satin or white paint finish standard. Custom finish optional.                               |
| <b>LENS</b>          | Three styles (see below); White frosted acrylic for smooth uniformity and no pixelization.              |
| <b>LED DRIVER</b>    | Integral or remote ( <i>Included</i> ), universal voltage; 0-10V dimming standard; custom programmable. |
| <b>MOUNTING</b>      | Cable suspended or surface mount: See page 3 for details and options.                                   |
| <b>LED's</b>         | (LED boards) 50,000 hours. (L70), 80 CRI, 2700K, 3000K, 3500K and 4000K.                                |
| <b>CERTIFICATION</b> | ETL/CSA listed for damp locations.  2001431  MADE IN THE USA  |

### OPTIONS



### PART NUMBER

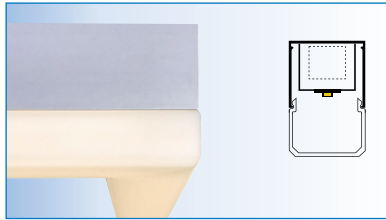
| SERIES    | LUMENS  | COLOR     | VOLTS                         | DRIVER     | MOUNTING             | CABLE | FINISH     | FIXTURE SIZE               |
|-----------|---|-----------|-------------------------------|------------|----------------------|-------|------------|----------------------------|
| TR1 - SQL | L LOW   | 27K 2700K | UNV 1%<br>(120/277)<br>1% DIM | I INTEGRAL | SC STRAIGHT<br>CABLE | 36"   | PCS SATIN  | 2' X 2' X 2'               |
| TR1 - RLR | M MEDIUM  | 3K 3000K  |                               |            |                      |       |            | 3' X 3' X 3'               |
| TR1 - FRL | H HIGH  | 35K 3500K |                               |            |                      |       |            | 4' X 4' X 4'               |
| TR2 - SQL | CP CUSTOM<br>PROGRAMMED<br>(Specify Lumens/FT<br>or Watts/FT) | 4K 4000K  | UNV<br>(120/277)<br>10% DIM   | R REMOTE   | CC CENTER<br>CABLE   | 72"   | PCC CUSTOM | OTHER<br>(CONSULT FACTORY) |
| TR2 - RLR |   |           |                               |            |                      |       |            | 3' X 3' X 3'               |
| TR2 - FRL |   |           |                               |            |                      |       |            | 4' X 4' X 4'               |
|           |   |           |                               |            | SM SURFACE           |       |            |                            |

## LUMENS & LED COLOR OPTIONS

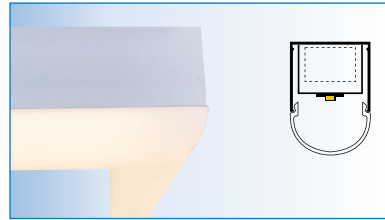
|               | TRI SIZE | WATTS | 2700K   | 3000K   | 3500K   | 4000K   |
|---------------|----------|-------|---------|---------|---------|---------|
| LOW LUMENS    | 2' TRI   | 21W   | 3000 L  | 3180 L  | 3210 L  | 3360 L  |
|               | 3' TRI   | 32W   | 4500 L  | 4770 L  | 4815 L  | 5040 L  |
|               | 4' TRI   | 42W   | 6000 L  | 6360 L  | 6420 L  | 6720 L  |
| MEDIUM LUMENS | 2' TRI   | 39W   | 5220 L  | 5490 L  | 5520 L  | 5820 L  |
|               | 3' TRI   | 59W   | 7830 L  | 8235 L  | 8280 L  | 8730 L  |
|               | 4' TRI   | 78W   | 10440 L | 10980 L | 11040 L | 11640 L |
| HIGH LUMENS   | 2' TRI   | 54W   | 6960 L  | 7320 L  | 7350 L  | 7740 L  |
|               | 3' TRI   | 81W   | 10440 L | 10980 L | 11025 L | 11610 L |
|               | 4' TRI   | 108W  | 13920 L | 14640 L | 14700 L | 15480 L |

Higher lumen packages available.

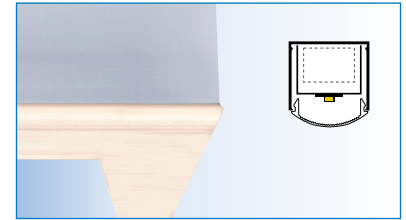
## LENS OPTIONS



SQL – SQUARE LENS



RLR – ROUND LENS



FRL – FLAT ROUND LENS

## REMOTE LED DRIVERS WITH ENCLOSURE *(Included)*

Universal Voltage (120/277) 0–10V Dimming Standard  
Remote LED drivers recommended for easy maintenance.



| WATTS   | ENCLOSURE DIMENSIONS                         |
|---------|--|
| 1 – 50W | 16" X 2" x 1 1/4"                            |
| 2 – 50W | 28" X 2" x 1 1/4" (ENCLOSURE W/ TWO DRIVERS) |
| 1 – 85W | 18" X 2" x 1 1/4"                            |
| 2 – 85W | 34" X 2" x 1 1/4" (ENCLOSURE W/ TWO DRIVERS) |

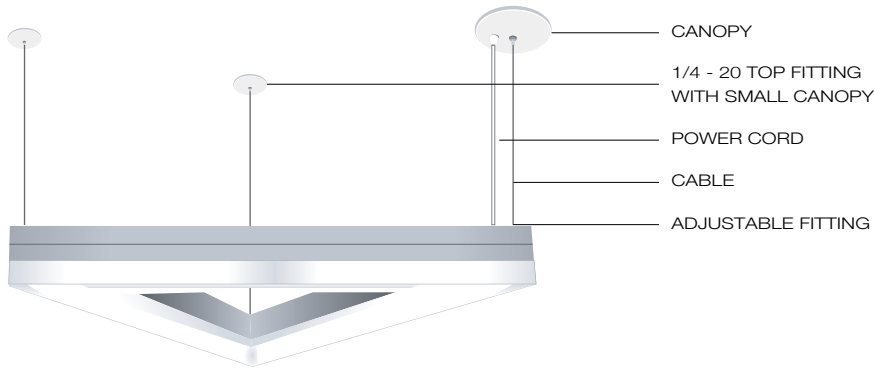
20' Max Remote Driver Distance. The chart below shows watts / fixture and driver requirements.  
Some medium and high lumen fixtures require more than one driver; Refer to chart below.

| TRIANGLE SIZE | LOW LUMENS |                  | MEDIUM LUMENS |                  | HIGH LUMENS |                  |
|---------------|------------|------------------|---------------|------------------|-------------|------------------|
|               | WATTS      | DRIVERS REQUIRED | WATTS         | DRIVERS REQUIRED | WATTS       | DRIVERS REQUIRED |
| 2' X 2' x 2'  | 21W        | 1 - 50W          | 39W           | 1 - 50W          | 54W         | 1 - 85W          |
| 3' X 3' X 3'  | 32W        | 1 - 50W          | 59W           | 1 - 85W          | 81W         | 2 - 85W          |
| 4' X 4' X 4'  | 42W        | 1 - 50W          | 78W           | 2 - 50W          | 108W        | 3 - 50W          |

## FIXTURE SIZES

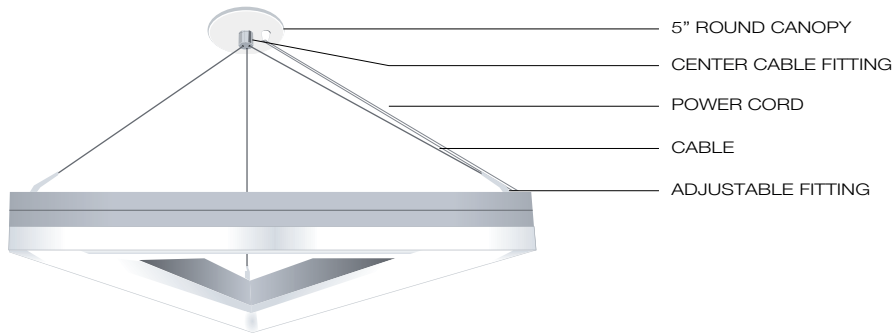
|            | 2' TRIANGLE  |                 | 3' TRIANGLE  |                 | 4' TRIANGLE  |                 |
|------------|--------------|-----------------|--------------|-----------------|--------------|-----------------|
|            | NOMINAL SIZE | ACTUAL SIZE     | NOMINAL SIZE | ACTUAL SIZE     | NOMINAL SIZE | ACTUAL SIZE     |
| DOWN LIGHT | 2' X 2' X 2' | 26" X 26" X 26" | 3' X 3' X 3' | 36" X 36" X 36" | 4' X 4' X 4' | 48" X 48" X 48" |

## MOUNTING OPTIONS



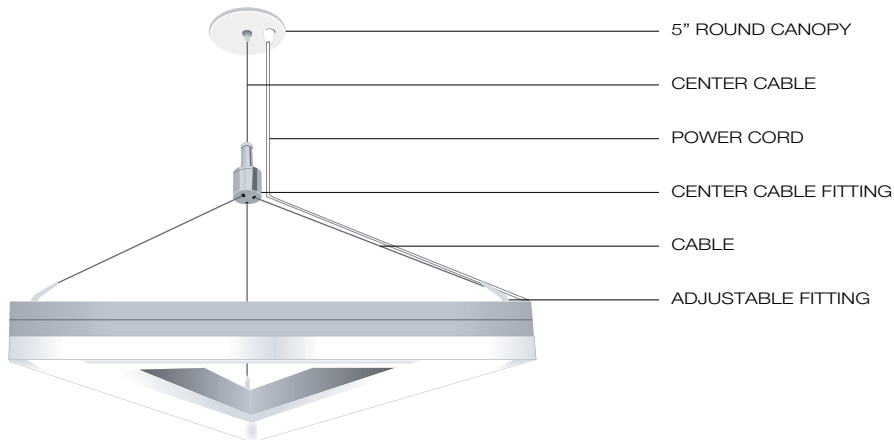
### SC – STRAIGHT CABLES STYLE

- Suspension Kit includes:
- (1) 5" Round Canopy with Mounting Hardware
  - (2) Top Fittings for 1/4-20 Rod with Small 2" Canopy
  - (1 or 2) Prewired 18/2 or 18/5 White Power Cord
  - (3) Aircraft Cables 36", 48" or 72"
  - (3) Adjustable Bottom Fittings



### PC – PYRAMID CABLES STYLE

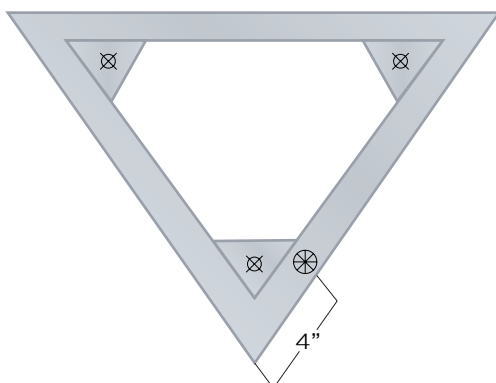
- Suspension Kit includes:
- (1) 5" Round Canopy with Mounting Hardware
  - (1 or 2) Prewired 18/2 or 18/5 White Power Cord
  - (1) Center Cable Fitting
  - (3) Aircraft Cables 36", 48" or 72"
  - (3) Adjustable Bottom Fittings



### CC – CENTER CABLE STYLE

- Suspension Kit includes:
- (1) 5" Round Canopy with Mounting Hardware
  - (1) Center Aircraft Cable 24" Std.
  - (1 or 2) Prewired 18/2 or 18/5 White Power Cord
  - (1) Center Cable Fitting
  - (3) Aircraft Cables 36", 48" or 72"
  - (3) Adjustable Bottom Fittings

\* Note: Fixture can rotate due to the flow of air in a given area.

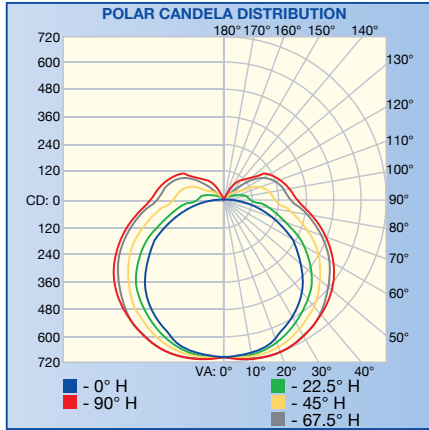


### SM – SURFACE MOUNT

- ⊕ 1/4" Mounting Holes Provided
- ⊗ 1/2" Service Hole Provided for Snap in Connector
- 36" 18/5 Leads Provided

\* Position of mounting holes may vary; Consult Factory

**PHOTOMETRICS / CANDELA DISTRIBUTION** Photometrics available online or by calling the factory.

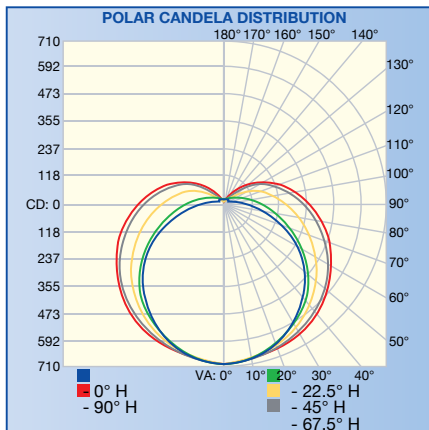


**2" SQL – SQUARE LENS**

**POLAR GRAPH**

REPORT NO.: 103499092LAX-001

Based on 4' linear fixture at medium lumens (35K 903L/FT x 4'= 3612L)  
10836 L / 4' Triangle

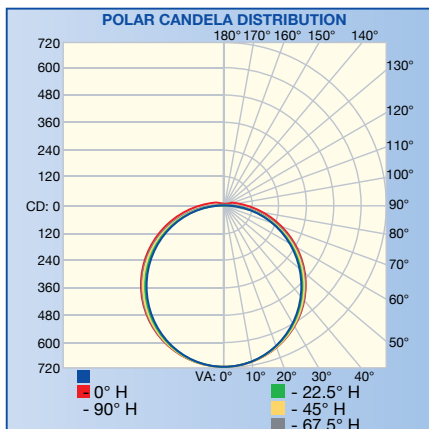


**2" RLR – ROUND LENS**

**POLAR GRAPH**

REPORT NO.: 103499092LAX-002

Based on 4' linear fixture at medium lumens (35K 903L/FT x 4'= 3612L)  
10836 L / 4' Triangle



**2" FRL – FLAT ROUND LENS**

**POLAR GRAPH**

REPORT NO.: 103499092LAX-003

Based on 4' linear fixture at medium lumens (35K 903L/FT x 4'= 3612L)  
10836 L / 4' Triangle

\*\* NOTE: TR1 & TR2 performance are nearly identical. Test done on 4' straight fixture.  
Must computer model into triangle shape and size.