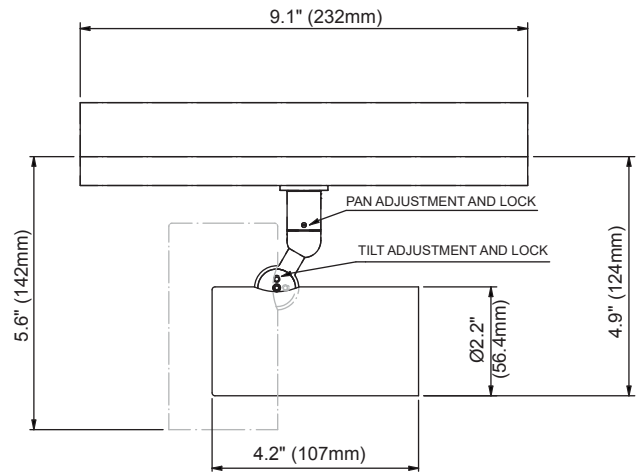


ZTA.50.Mains Track



This image shows optional on-board 0-10V potentiometer.

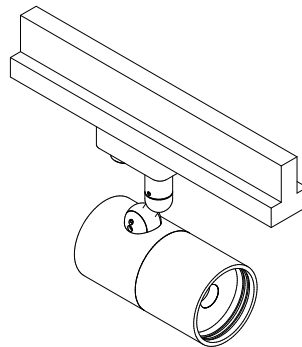
Order Code	ZTA.50.Mains Track.light source.beam.finish
------------	---

Materials:	Aluminum
Mount type:	Surface
Light source	Osram Oslon Square LED <i>LED lifetime: L70, B1 at 66,000hrs Col consistency: 3 SDCM</i> Xicato XOB COB LED Xicato XTM 0.75" (19mm) LES LED module <i>LED lifetime: L70, B0, F0 at 50,000hrs Col consistency: 1x2 SDCM</i>
Output:	See table over page
Dimming:	See table over page
Finish:	Standard offering is RAL 9010 Pure White or Matt Black Internal lamptube is Matt Black Bespoke finishes are available
Supply:	Remote constant current driver
Cable:	2x0.2"(0.5mm) ² (as standard: 19.7" (500mm), black)
Locking:	2mm Allen key required
Available tilt:	130°
Available pan:	363°
Weight:	0.9Lbs (0.4kg)
Description:	ZTA is a truly unconstrained new product range, be that in choice of light source, optic, paint finish, control system or how it's mounted. With a simpler aesthetic, it offers versatility and a product that is truly maintainable, re-manufacturable and ultimately recyclable.
Beams:	See table over page
Accessories:	Can accommodate up to 2 x Ø2" (50mm) lens or louver

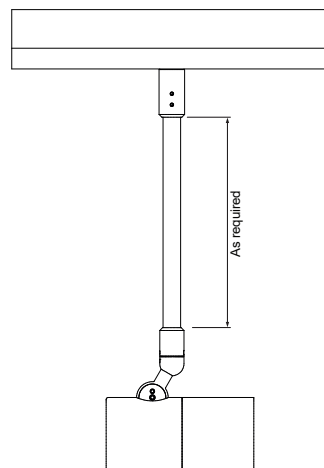
High output, fixed optics	Low output, fixed optics and Zoom	Dedicated Very Narrow spot	Wall wash							
Xicato XOB 0.39" (9.8mm)	Xicato XOB 0.24" (6mm)	Oslo Star	0.75" (19mm) XTM							
Dimming Option	Dimming Option	Dimming Option	Dimming Option							
0-10V, DALI, Mains or Wireless (Xicato or Casambi)	0-10V, DALI, Mains or Wireless (Xicato or Casambi)	0-10V, DALI, Mains or Wireless (Xicato or Casambi)	0-10V, DALI, Mains or Wireless (Xicato or Casambi)							
<table border="1"> <tr> <td>CRI ≥ 90 1513lm (Initial @ 3000K) 11.9W at 350mA Typ. 34Vf</td> <td>CRI ≥ 95 1341lm (Initial @ 3000K) 11.9W at 350mA Typ. 34Vf</td> </tr> </table>	CRI ≥ 90 1513lm (Initial @ 3000K) 11.9W at 350mA Typ. 34Vf	CRI ≥ 95 1341lm (Initial @ 3000K) 11.9W at 350mA Typ. 34Vf	<table border="1"> <tr> <td>CRI ≥ 90 873lm (Initial @ 3000K) 7.9W at 250mA Typ. 31.6Vf</td> <td>CRI ≥ 95 798lm (Initial @ 3000K) 7.9W at 250mA Typ. 31.6Vf</td> </tr> </table>	CRI ≥ 90 873lm (Initial @ 3000K) 7.9W at 250mA Typ. 31.6Vf	CRI ≥ 95 798lm (Initial @ 3000K) 7.9W at 250mA Typ. 31.6Vf	<table border="1"> <tr> <td>CRI ≥ 90 252lm (Initial @ 3000K) 3W at 1050mA Typ. 3Vf</td> </tr> </table>	CRI ≥ 90 252lm (Initial @ 3000K) 3W at 1050mA Typ. 3Vf	<table border="1"> <tr> <td>CRI ≥ 80 1630lm (Initial @ 3000K) 11.4W at 500mA Typ. 22.8Vf</td> <td>CRI ≥ 95 1400lm (Initial @ 3000K) 12.9W at 700mA Typ. 18.4Vf</td> </tr> </table>	CRI ≥ 80 1630lm (Initial @ 3000K) 11.4W at 500mA Typ. 22.8Vf	CRI ≥ 95 1400lm (Initial @ 3000K) 12.9W at 700mA Typ. 18.4Vf
CRI ≥ 90 1513lm (Initial @ 3000K) 11.9W at 350mA Typ. 34Vf	CRI ≥ 95 1341lm (Initial @ 3000K) 11.9W at 350mA Typ. 34Vf									
CRI ≥ 90 873lm (Initial @ 3000K) 7.9W at 250mA Typ. 31.6Vf	CRI ≥ 95 798lm (Initial @ 3000K) 7.9W at 250mA Typ. 31.6Vf									
CRI ≥ 90 252lm (Initial @ 3000K) 3W at 1050mA Typ. 3Vf										
CRI ≥ 80 1630lm (Initial @ 3000K) 11.4W at 500mA Typ. 22.8Vf	CRI ≥ 95 1400lm (Initial @ 3000K) 12.9W at 700mA Typ. 18.4Vf									
CCT	CCT	CCT	CCT							
2700K, 3000K, 3500K, or 4000K	2700K, 3000K, 3500K, or 4000K	2700K, 3000K, 3500K, or 4000K	2200K, 2700K, 3000K, 3500K, 4000K or 5600K							
Beam Options	Beam Options	Beam Options	Beam Options							
Narrow (15.1°) Medium (22°) Flood (31.2°) Flood 2 (44.3°) Wide Flood (64.5°)	Very Narrow (13.9°) Narrow (14.7°) Medium (24.1°) Flood (36.7°) Wide Flood (51.7°) Zoom (13.7°-48.1°)	Very Narrow (3.3°)	Wall Wash (81.3° x 53.7°)							

Configurations

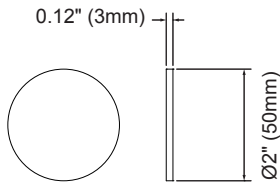
ZTA.50.Mains Track with Dim Pot
Optional on-board 0-10V potentiometer.



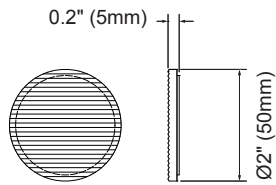
ZTA.50.Mains Track Extended Pan
Length is defined by project requirements.



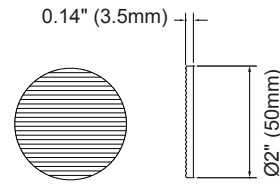
Accessories



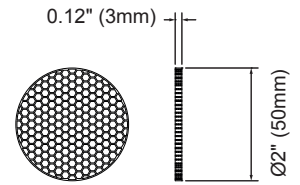
Clear lens
Frosted lens
Stipple/patterned lens
Filter



Sharp Elliptical
Spread Lens

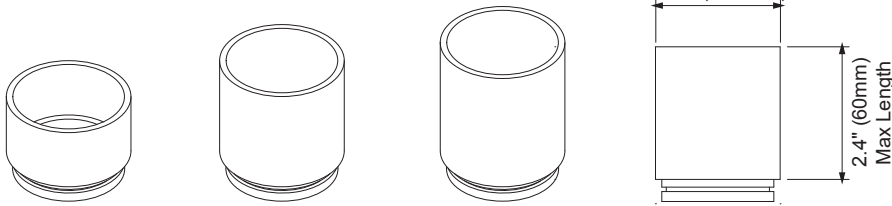


Diffuse Elliptical
Spread Lens

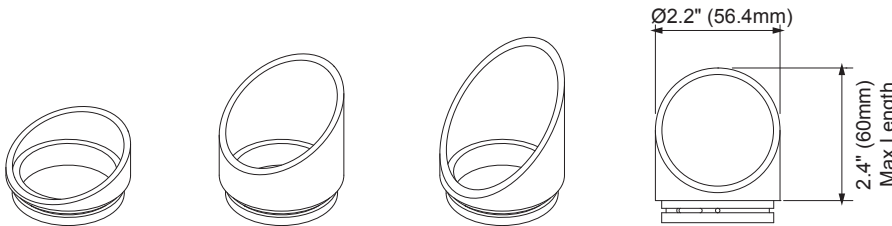


Louver

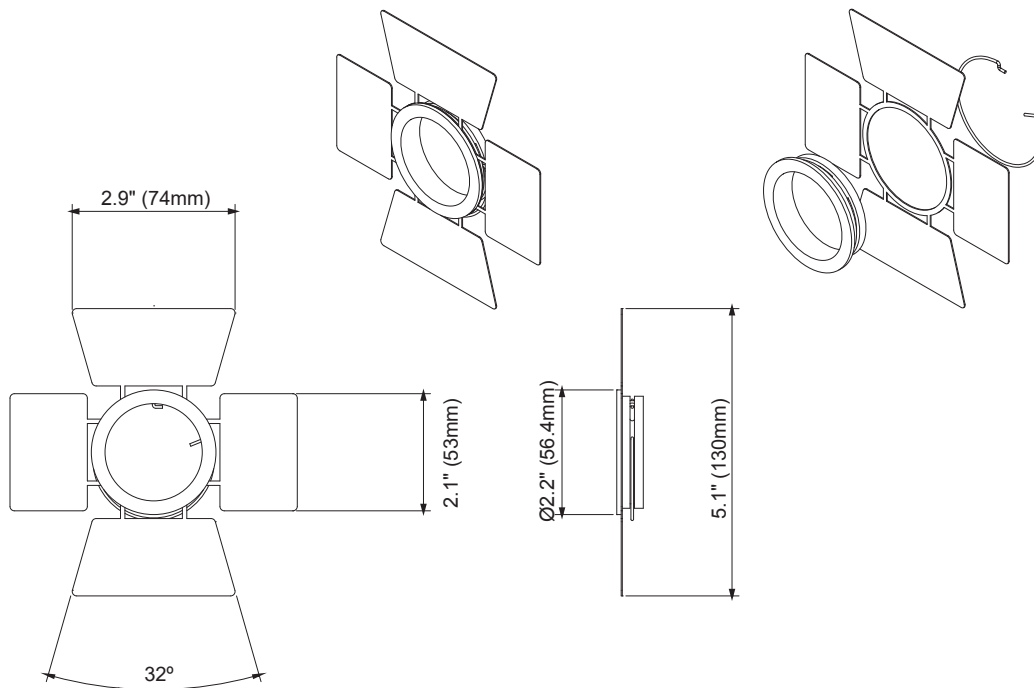
ZTA.50 Snoot



ZTA.50 Slash Cut Snoot



ZTA.50 Barn Doors



Wiring

The ZTA.50.Mains Track is supplied with a Stucchi Onetrack UL mains track adaptor.

