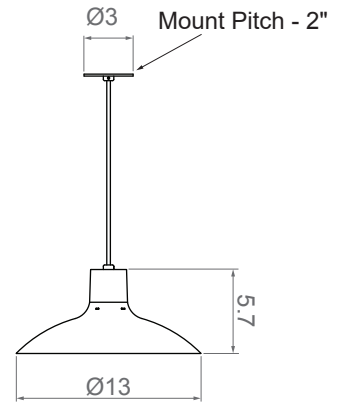


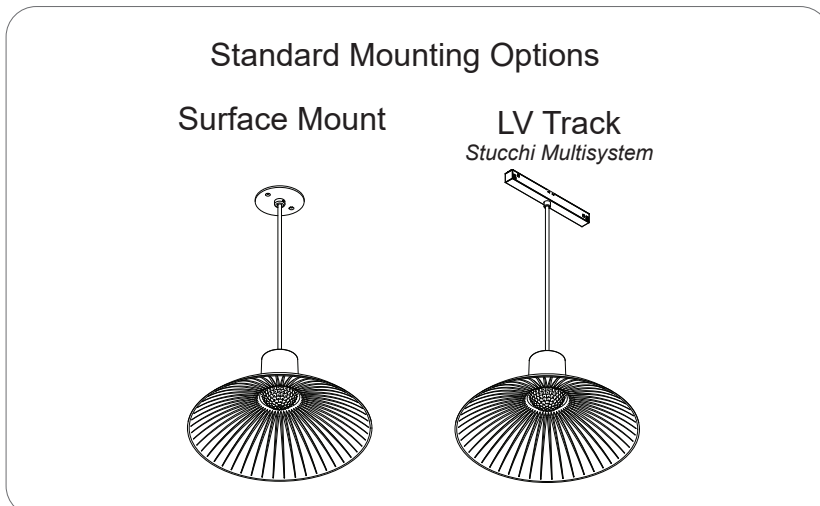
ZTA.50.PLP - Tunable White



Order Code	ZTA.50.PLP.LED.Mount.Finish
Example	ZTA.50.PLP.CTM_3000K_90CRI.Surface.PW

- Materials: Aluminum heatsink, Recycled Plastics (PW, AW or P+AW - see *Shade Options page 2*)
- Light source: Tunable White 0.35" (9mm) LED
- Color temp: 2700K to 6500K
- Output: Find compatible modules and photometry data on the product page on our website.
- CRI Ra: ≥90
- Finish: See *Shade Options page 2*.
- Dimming: Casambi, DALI
- Beam: 19.6°, 26.6°, 35°, 58.4°, 'Full'
- Supply: Dual Channel constant current remote driver or 48VDC (LV rack).
- Weight: 2 lbs (0.9kg)
- Description: The tunable white version of our Plasting Light Pendant.

The powder used to give a durable protective coating to our aluminum luminaire housings can be 100% recycled. Overspray from the spray booths in Stoane Lighting's paint shop can be collected and, with PMMA monomer binder, formed into moulds for casting into unique Plastic Light Pendants.
- Deviation: Can be supplied with a range of cable finishes or lengths.



ZTA.50.PLP
- Tunable White



Optic

CRI ≥ 90
 740lm (Initial @ 6500k)
 675lm (Initial @ 2700k)

Narrow (19.6°)
 Medium (26.6°)
 Flood (35°)
 Wide Flood (58.4°)

Full

CRI ≥ 90
 740lm (Initial @ 6500k)
 675lm (Initial @ 2700k)

Full beam

Cable Options

Standard cables are black but custom options (colors, material) are available.

Shade Options

<p>PW - Powder Waste</p> <p><i>PW (Powder Waste): 12% captured microplastic powdercoat waste, 88% clear acrylic.</i></p>	<p>AW - Acrylic Waste</p> <p><i>AW (Acrylic Waste): 40% granulated clear acrylic waste, 60% clear acrylic.</i></p>	<p>P + AW - Powder & Acrylic Waste</p> <p><i>P+AW (Powder and Acrylic Waste): 12% captured microplastic powdercoat waste, 45% granulated clear acrylic waste, 43% clear acrylic.</i></p>
--	--	--