

LSL6-1/2 CYCLOPS

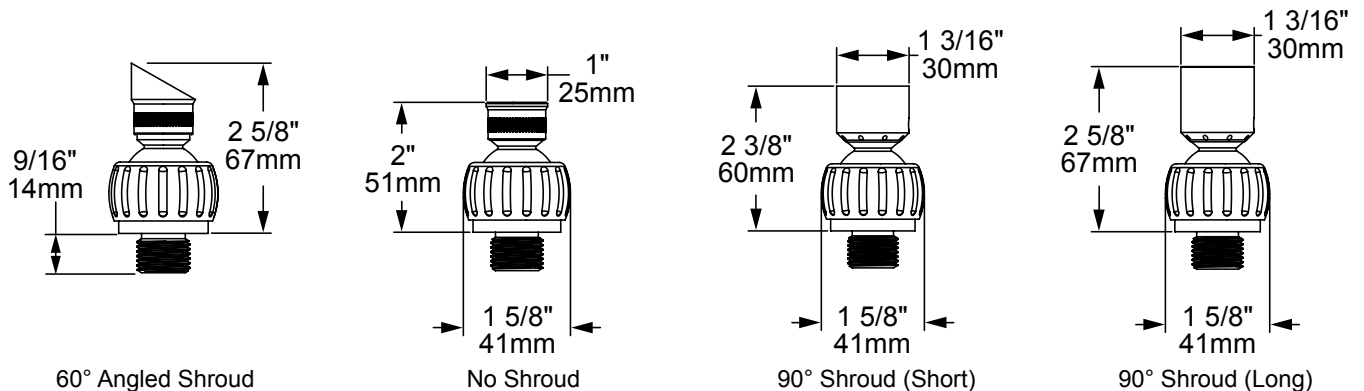
Auroralight's new LSL6 is a Micro-Directional X-Platform IP67 luminaire that features a Thermally Integrated® LED module. The machined ball and socket design incorporates a remarkably small yet capable Cree® powered light engine. The easily replaceable, self-contained ball fits snugly into a precision machined socket for exceptional heat dissipation allowing this tiny luminaire to operate at 3 watts. Offered in 4 unique configurations and 4 interchangeable optics; it is both inconspicuous and versatile.



Male Thread
BR-BLP
(Actual Size)

Features include:

- 3 Watts and Up To 171 Lumens
- Cree XLAMP® High Density (XP-L) LED
- 2700K or 3000K (CRI 80 typ.)
- Thermally Integrated®
- 12V Integral Constant Current Driver (Remote 12V AC/DC Transformer Required)
- Dimmable to <10% (TRIAC/Forward Phase) via Compatible Transformer
- Compatible w/ 12V AC/DC ELV or MLV Transformers
- Solid Brass Construction
- US Patent No: D863,607 S



ALTERNATE CONFIGURATIONS AVAILABLE



LSL6-FM
Flush Mount



LSL6-SM
Surface Mount



LSL6-DL
Downlight

(SEE INDIVIDUAL CUT SHEETS FOR MORE INFO)



12V



THERMALLY INTEGRATED

SEE NEXT PAGE FOR ORDERING INFORMATION



LSL6-1/2 CYCLOPS



For smaller wattage and size options see **LSL10**, and **LSL8**

For larger wattage and size options see **HSL20-LM**, **HSL16-LM**, and **HSL11-LM**

ORDERING GUIDE: ^{Prefix} **LSL6-1/2** L (LED) SL (SPOTLIGHT) 6 (SERIES) - 1/2 (1/2" MALE THREAD)

INDICATES REQUIRED FIELD INDICATES OPTIONAL FIELD INCLUDED [_] QUICK SPEC (See Below)

QUICK SPEC SKU **LSL6-1/2-60-M-27-BMS-NAT**

LSL6-1/2

SHROUD

[60] 60° Angled
[NS] No Shroud
[S90] 90° Short
[L90] 90° Long

OPTIC

[N] 15° Narrow
[M] 25° Medium
[W] 40° Wide
[EL] Elliptical

LED COLOR

[27] 2700K, 80 CRI
[30] 3000K, 80 CRI
[AMB] Amber
 (585-595nm)

NOTE: For other CCT and CRI options, contact factory

RISER

EXTENDABLE: (Includes 2GS Ground Stake)

[5X10] 5x10"
[7X14] 7x14"
[9X18] 9x18"
[11X22] 11x22"
[18X36] 18x36"

SUBTERRANEAN (EXTENDABLE):

[STR-12] 12" above grade 13 1/2" below
[STR-18] 18" above grade 19 1/2" below

FIXED:

[FR-4] 4"
[FR-8] 8"
[FR-12] 12"
[FR-16] 16"
[FR-18] 18"

MOUNT

GROUND:

[BMS] Brass Micro Spike
[1GS] PVC Ground Stake
[2GS] Ground Stake w/ 2" Cap
[DS] 9" Deluxe Spike
[TR-9] 9" Trident Spike
[TR-12] 12" Trident Spike
[JB3-S] 3" Junction Box w/ PVC Stake
[PB-S] Power Box w/ PVC Stake Incl. 60W 120-12V Trans.
[PM-60-1] Concrete Pedestal Mount w/ 60W 120-12V Trans.

SURFACE:

[SMJB-1] Surface Mount J-Box
[SM2] 2" Surface Mount
[SM3] 3" Surface Mount

COVER PLATE:

[CP35-BR] 3 1/2" Brass Cover Plate
[CP4-BR] 4" Brass Cover Plate
[CP45-BR] 4 1/2" Brass Cover Plate
[MC45-1] 4 1/2" Mount Canopy (Single)
[MC45-2] 4 1/2" Mount Canopy (Double)
[PC-60-1] 4 1/2" Power Canopy Incl. 60W 120-12V Trans. (Single)
[PC-60-2] 4 1/2" Power Canopy Incl. 60W 120-12V Trans. (Double)

NOTE: For recessed J-Box, see RJB cut sheet

TREE:

[TS-LD-22] 22" Tree Strap - Light Duty
[TS-LD-36] 36" Tree Strap - Light Duty
[BTM] Bolt-On Tree Mount
[STM] Screw-In Tree Mount

FINISH

Standard:

[NAT] Natural

Plus (\$):

[BLP] Bronze Living Patina
[BLP-XD] BLP Extra Dark

Premium (\$\$\$):

[NI] Nickel PVD
[PVD] PVD Color (Contact Factory for Color Options)

NOTE: Universal Adapter Included w/ Fixture. Most common configurations listed above. See product cut sheets for all options.

MOST POPULAR MOUNT OPTIONS



EXTR



BMS



DS



TS-LD

GROUND



BMS

1GS

2GS

DS

TR

JB3 PB

PM

COVER PLATE



CP35

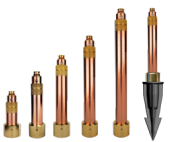
CP4

CP45

MC45

PC

EXTENDABLE



EXTR
(Includes 2GS)

SUBTERRANEAN (EXTENDABLE)



STR

FIXED



FR

SURFACE



SMJB

SM2

SM3

TREE



TS-LD

BTM

STM

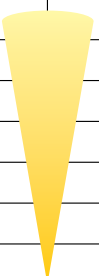


LSL6-1/2 CYCLOPS


PHOTOMETRIC OVERVIEW

To download more in-depth IES photometric data, visit auroralight.com/product/lsl6-1-2-cyclops/

3000K 15° (NARROW) OPTIC 145.5 LUMENS • CBCP 1279 AURORALIGHT LSL6-1/2-N-30		
30 FT	1.42	3.70
26 FT	1.89	3.21
22 FT	2.64	2.72
18 FT	3.95	2.22
14 FT	6.53	1.73
10 FT	12.8	1.23
6 FT	35.5	0.741
Distance From Fixture	Footcandles	Beam Width



3000K 25° (MEDIUM) OPTIC 171.4 LUMENS • CBCP 516 AURORALIGHT LSL6-1/2-M-30		
30 FT	0.574	12.1
26 FT	0.764	10.5
22 FT	1.07	8.88
18 FT	1.59	7.26
14 FT	2.63	5.65
10 FT	5.16	4.03
6 FT	14.3	2.42
Distance From Fixture	Footcandles	Beam Width



3000K 40° (WIDE) OPTIC 155.9 LUMENS • CBCP 275 AURORALIGHT LSL6-1/2-W-30		
30 FT	0.306	18.1
26 FT	0.407	15.7
22 FT	0.569	13.3
18 FT	0.850	10.8
14 FT	1.40	8.43
10 FT	2.75	6.02
6 FT	7.65	3.61
Distance From Fixture	Footcandles	Beam Width

