

LSL6-FM CYCLOPS

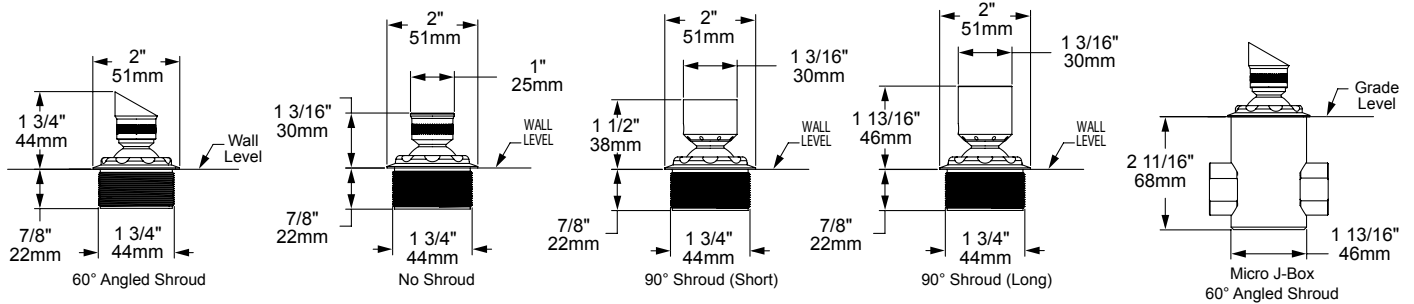


Flush Mount
BR-BLP
(Actual Size)

Auroralight's new LSL6 is a Micro-Directional X-Platform IP67 luminaire that features a Thermally Integrated® LED module. The machined ball and socket design incorporates a remarkably small yet capable Cree® powered light engine. The easily replaceable, self-contained ball fits snugly into a precision machined socket for exceptional heat dissipation allowing this tiny luminaire to operate at 3 watts. Offered in 4 unique configurations, a multitude of finishes and 4 interchangeable optics; it is both inconspicuous and versatile.

Features include:

- 3 Watts and Up To 171 Lumens
- Cree XLAMP® High Density (XP-L) LED
- 2700K or 3000K (CRI 80 typ.)
- Thermally Integrated®
- 12V Integral Constant Current Driver (Remote 12V AC/DC Transformer Required)
- Dimmable to <10% (TRIAC/Forward Phase) via Compatible Transformer
- Compatible w/ 12V AC/DC ELV or MLV Transformers
- Solid Brass Construction
- US Patent No: D863,607 S



ALTERNATE CONFIGURATIONS AVAILABLE



LSL6-1/2
1/2" Male Thread



LSL6-SM
Surface Mount



LSL6-DL
Downlight

(SEE INDIVIDUAL CUT SHEETS FOR MORE INFO)



12V



THERMALLY INTEGRATED

SEE NEXT PAGE FOR ORDERING INFORMATION



LSL6-FM CYCLOPS



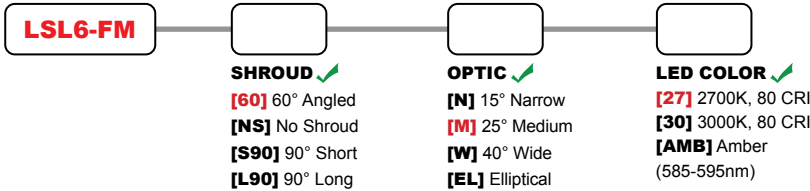
For smaller wattage and size options see **LSL10**, and **LSL8**
 For larger wattage and size options see **HSL20-LM**, **HSL16-LM**, and **HSL11-LM**

Prefix

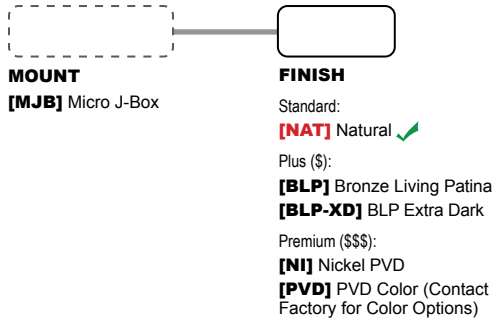
ORDERING GUIDE: **LSL6-FM** L (LED) SL (SPOTLIGHT) 6 (SERIES) - FM (FLUSH MOUNT)

INDICATES REQUIRED FIELD
 INDICATES OPTIONAL FIELD
 ✓ INCLUDED
 [_] QUICK SPEC (See Below)

QUICK SPEC SKU **LSL6-FM-60-M-27-NAT**



NOTE: For other CCT and CRI options, contact factory

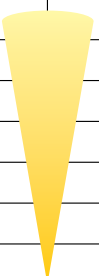


LSL6-FM CYCLOPS


PHOTOMETRIC OVERVIEW

To download more in-depth IES photometric data, visit auroralight.com/product/lsl6-fm-cyclops/

3000K 15° (NARROW) OPTIC 145.5 LUMENS • CBCP 1279 AURORALIGHT LSL6-FM-N-30		
30 FT	1.42	3.70
26 FT	1.89	3.21
22 FT	2.64	2.72
18 FT	3.95	2.22
14 FT	6.53	1.73
10 FT	12.8	1.23
6 FT	35.5	0.741
Distance From Fixture	Footcandles	Beam Width



3000K 25° (MEDIUM) OPTIC 171.4 LUMENS • CBCP 516 AURORALIGHT LSL6-FM-M-30		
30 FT	0.574	12.1
26 FT	0.764	10.5
22 FT	1.07	8.88
18 FT	1.59	7.26
14 FT	2.63	5.65
10 FT	5.16	4.03
6 FT	14.3	2.42
Distance From Fixture	Footcandles	Beam Width



3000K 40° (WIDE) OPTIC 155.9 LUMENS • CBCP 275 AURORALIGHT LSL6-FM-W-30		
30 FT	0.306	18.1
26 FT	0.407	15.7
22 FT	0.569	13.3
18 FT	0.850	10.8
14 FT	1.40	8.43
10 FT	2.75	6.02
6 FT	7.65	3.61
Distance From Fixture	Footcandles	Beam Width

