

LML250-S5-GTL EQUINOX

The **LML250** Moonlighter series of LED pendant luminaires is the latest addition to our growing line of innovative and exquisite down lighting. This series is available in three elegant shade designs with three progressive sizes intended to complement our new state-of-the-art LBD Bollard series and LWM series Wall Sconces. This estate-quality luminaire is ideal for creating ambient mood lighting in intimate outdoor spaces.

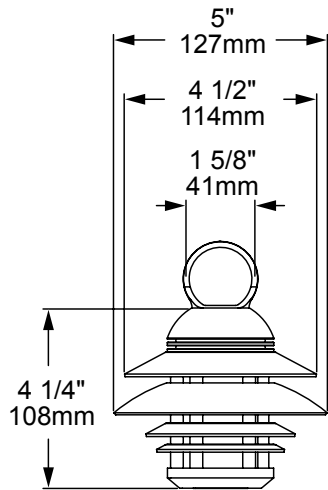
See **LML350** for additional size and configuration options.

Features include:

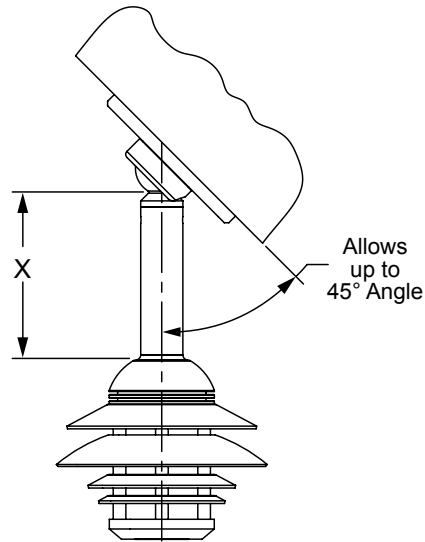
- 8 Watts up to 244 Lumens
- Cree XLAMP® Extreme High Power (XHP) LED
- 2700K (80 & 90 CRI) or 3000K (80 CRI)
- Thermally Integrated® and Field Serviceable LED Module
- 12V Integral Driver, Dimmable to <10% typ.
- Compatible w/ 12V AC/DC ELV or MLV Transformers
- Solid Copper and Brass Construction



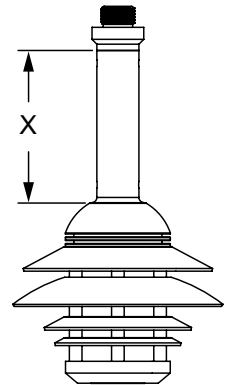
LML250-S5-GTL-BLP



Chain Configuration



Rigid Mount w/ optional SW4



Rigid Mount

COPPER CORE TECHNOLOGY®

Copper Core® is a registered trademark of Auroralight. It is synonymous with the mark of quality and integrity. It means that our products are built upon a superior foundation of Solid Copper, ensuring every critical part functions seamlessly together Thermally integrated® one component to the next. Auroralight manufactured without compromise, engineered with passion, in the USA.



12V



THERMALLY INTEGRATED

SEE NEXT PAGE FOR ORDERING INFORMATION





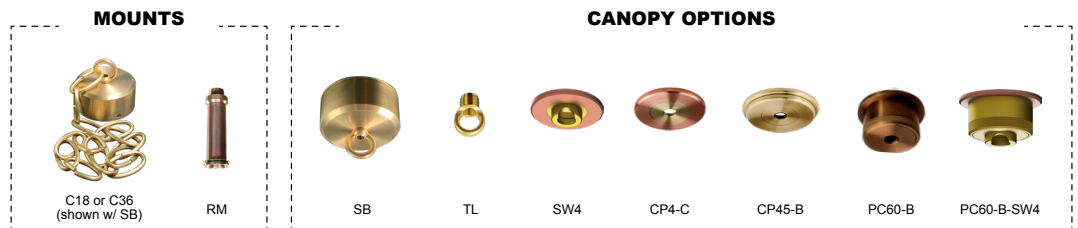
LML250-S5-GTL EQUINOX

ORDERING GUIDE: LML250-S5-GTL Prefix L (LED) ML (MOONLIGHTER) 250 (SERIES) S (SPHERICAL) 5 (INCHES) GTL (GLIMMER TOP W/ LOUVER)

INDICATES REQUIRED FIELD INDICATES OPTIONAL FIELD INCLUDED [_] QUICK SPEC (See Below)

QUICK SPEC SKU **LML250-S5-GTL-27-C18-SB-NAT**

LML250-S5-GTL				
<p>LED COLOR ✓</p> <p>[27] 2700K, 80 CRI</p> <p>[279] 2700K, 90 CRI</p> <p>[30] 3000K, 80 CRI</p> <p>NOTE: For other CCT and CRI options, contact factory</p>	<p>MOUNT ✓</p> <p>[C18] 18" Solid Brass Chain</p> <p>[C36] 36" Solid Brass Chain</p> <p>[RM-X] Rigid Mount (Specify 4, 6, 8 or 10")</p> <p>[X] = Specify Length</p>	<p>CANOPY OPTIONS (1/2" NPS)</p> <p>[SB] 2 1/2" Brass Splice Box</p> <p>[TL] Threaded Loop**</p> <p>[CP4] 4" Cover Plate***</p> <p>[CP45] 4 1/2" Cover Plate***</p> <p>[PC60] 4 1/2" Power Canopy*** (Inc. 60W 120-12V trans.)</p> <p>[SW4] 4" Swivel Cover Plate (RM Only)</p> <p>[PC60-SW4] Power Canopy w/ Swivel*** (Inc. 60W 120-12V trans.) (RM Only)</p> <p>**Required when both chain and canopy are selected.</p> <p>***Brass Escutcheon is standard. Add "C" for Copper</p>	<p>FINISH</p> <p>Standard:</p> <p>[NAT] Natural ✓</p> <p>Plus (\$):</p> <p>[BLP] Bronze Living Patina</p> <p>[BLP-XD] BLP Extra Dark Premium (\$\$\$):</p> <p>[NI] Nickel PVD</p> <p>[PVD] PVD Color (Contact Factory for Color Options)</p>	



LML250-S5-GTL EQUINOX

PHOTOMETRIC OVERVIEW

Information based on 3000K. To download more in-depth IES photometric data, visit auroralight.com/product/lml250-s5-gtl-equinox/

Mounting Height - 8 Feet

