

LML350-S7-C ZODIAC

The **LML350** Moonlighter series of LED pendant luminaires is the latest addition to our growing line of innovative and exquisite down lighting. This series is available in four elegant shade designs with three progressive sizes intended to complement our new state-of-the-art LBD Bollard series and LWM series Wall Sconces. This estate-quality luminaire is ideal for illuminating larger open areas and provides overhead pathway lighting.

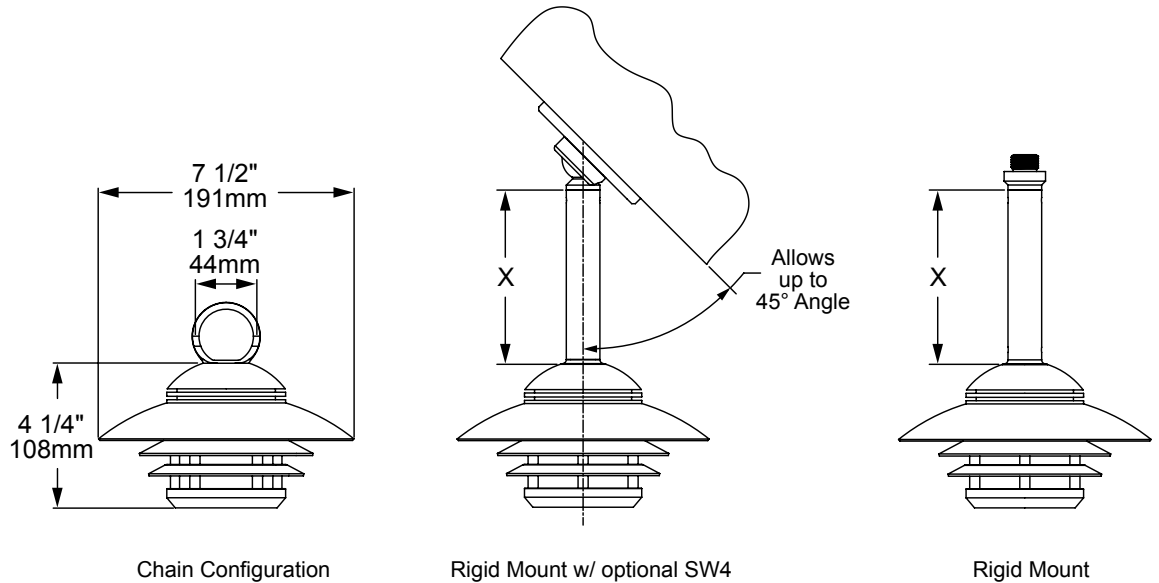
See **LML250** for additional size and configuration options.

Features include:

- 16 Watts
- Cree XLAMP® Extreme High Power (XHP) LED
- 2700K (80 & 90 CRI) or 3000K (80 CRI)
- Thermally Integrated® and Field Serviceable LED Module
- 12V Integral Driver, Dimmable to <10% typ.
- Compatible w/ 12V AC/DC ELV or MLV Transformers
- Solid Copper and Brass Construction



LML350-S7-C-BLP



COPPER CORE TECHNOLOGY®

Copper Core® is a registered trademark of Auroralight. It is synonymous with the mark of quality and integrity. It means that our products are built upon a superior foundation of Solid Copper, ensuring every critical part functions seamlessly together Thermally integrated® one component to the next. Auroralight manufactured without compromise, engineered with passion, in the USA.



SEE NEXT PAGE FOR ORDERING INFORMATION





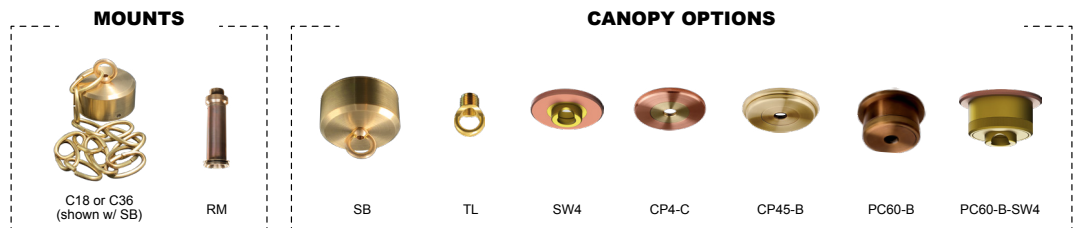
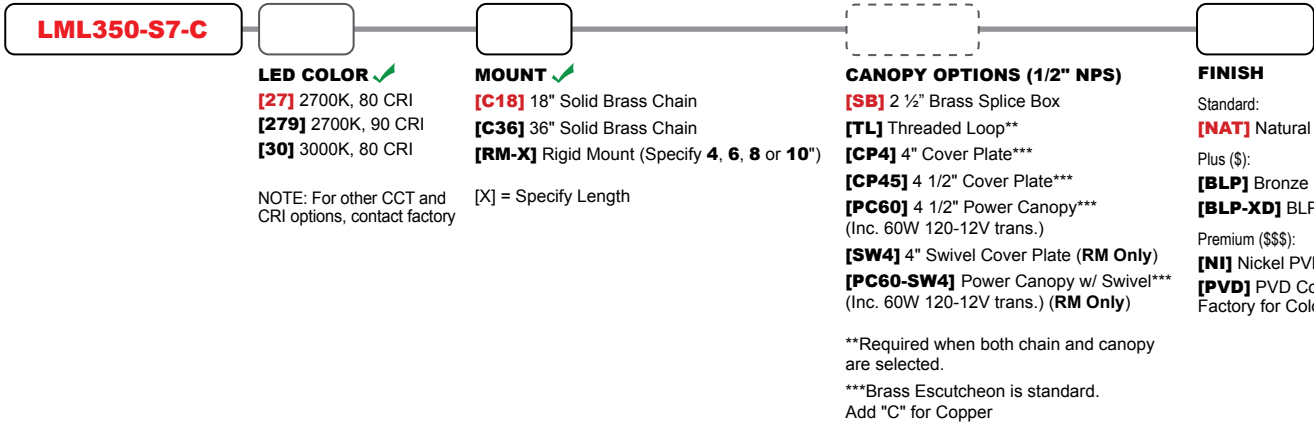
LML350-S7-C ZODIAC

Prefix

ORDERING GUIDE: **LML350-S7-C** L (LED) ML (MOONLIGHTER) 350 (SERIES) S (SPHERICAL) 7 (INCHES) C (COMPACT)

INDICATES REQUIRED FIELD INDICATES OPTIONAL FIELD INCLUDED [_] QUICK SPEC (See Below)

QUICK SPEC SKU **LML350-S7-C-27-C18-SB-NAT**



LML350-S7-C ZODIAC

PHOTOMETRIC OVERVIEW

Information based on 3000K. To download more in-depth IES photometric data, visit auroralight.com/product/lml350-s7-c-zodiac/

Mounting Height - 10 Feet

