

LBD-H HERMOSA

The re-invented Hermosa **LBD-H** path light features a sleek new look and a serviceable machined Acrylic lens. Re-engineered to take full advantage of the "Designer Series" LED module. With enhanced performance, superior longevity, and ultimate flexibility, the new Hermosa is ready for "center stage." The ALP system allows control of the lumen output and radial spread and can be locked in place once set; let the show begin!

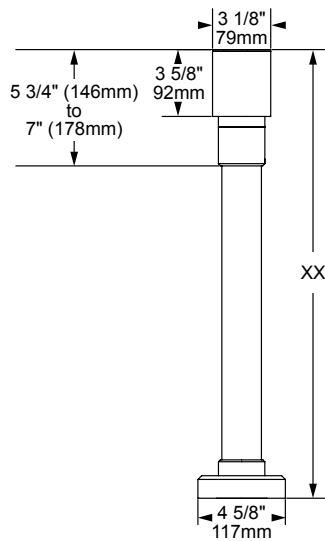
Features include:

- Interchangeable LED Module in 7 or 12 Watts up to 228 Lumens Delivered
- 2700K (80 & 90 CRI) or 3000K (80 CRI)
- Precision Machined, Field Replaceable Acrylic Lens
- Thermally Integrated® w/ Copper Core Technology®
- 12V Integral Constant Current Driver (AC or DC Input)
- Dimmable to <10% (TRIAC/Forward Phase)
- Compatible w/ 12V AC/DC MLV or ELV Transformers
- 120V Option w/ Integral 60W 120-12V Transformer
- Solid Copper and Brass Construction



LBD-H-15-L/P-BLP

LBD-H-24-S/M-BLP



COPPER CORE TECHNOLOGY®

Copper Core® is a registered trademark of Auroralight. It is synonymous with the mark of quality and integrity. It means that our products are built upon a superior foundation of Solid Copper, ensuring every critical part functions seamlessly together Thermally integrated® one component to the next. Auroralight manufactured without compromise, engineered with passion, in the USA.



12V



THERMALLY INTEGRATED

SEE NEXT PAGE FOR ORDERING INFORMATION





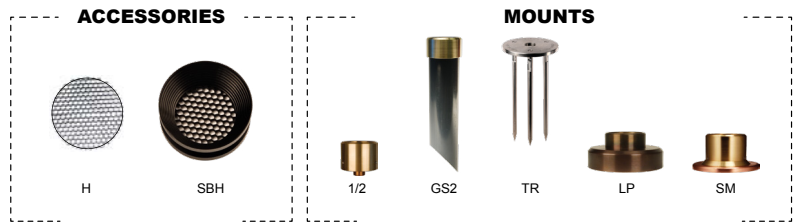
LBD-H HERMOSA

ORDERING GUIDE: ^{Prefix} **LBD-H** L (LED) BD (BOLLARD) H (HERMOSA)

□ INDICATES REQUIRED FIELD □ INDICATES OPTIONAL FIELD ✓ INCLUDED [_] QUICK SPEC (See Below)

QUICK SPEC SKU **LBD-H-12-27-24-12-GS2-NAT**

LBD-H							
WATTAGE ✓	LED COLOR ✓	HEIGHT ✓	VOLTAGE ✓	ACCESSORIES	MOUNT	FINISH	
[7] 7W [12] 12W	[27] 2700K, 80 CRI [279] 2700K, 90CRI [30] 3000K, 80 CRI NOTE: For other CCT and CRI options, contact factory	[15] 15" [19] 19" [24] 24" [30] 30"	[12] 12V [120] 120V	[H] Hex Baffle [SBH] Stepped Baffle / Hex Baffle Assembly	12V Mount Options: [GS2] Ground Stake w/ 2" Cap ✓ [TR] 12" Trident Spike 120/12V Mount Options: [1/2] 1/2" (NPS) Universal Thread [LP] Concrete Leveling Pedestal [SM] Surface Mount	Standard: [NAT] Natural ✓ Plus (\$): [BLP] Bronze Living Patina [BLP-XD] BLP Extra Dark Premium (\$\$\$): [NI] Nickel PVD [PVD] PVD Color (Contact Factory for Color Options)	



LBD-H HERMOSA

PHOTOMETRIC OVERVIEW

Information based on 3000K. To download more in-depth IES photometric data, visit auroralight.com/product/lbd-h-hermosa/

Mounting Height - 1 Feet

