

# LSR5-L VERTEX

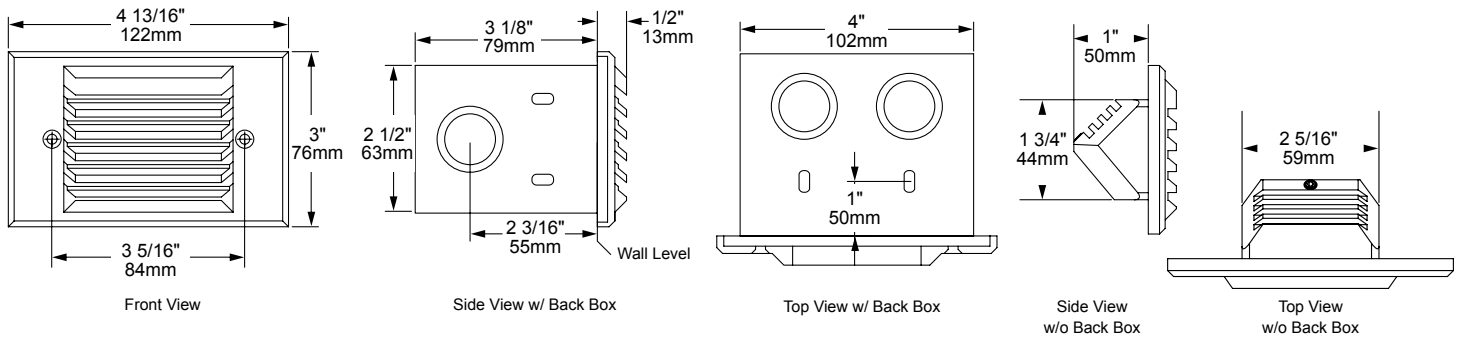


LSR5-L-NB-NAT

The **LSR5-L** is a low-energy recessed mount LED step light for interior or wet location use that offers excellent low-level illumination. Designed to fit any standard single-gang junction box. An optional stainless box is available, which allows the faceplate to be adjusted up to 1/2" should the receptacle be "out-of-plumb." The included high-density EPDM rubber gasket ensures internal components are protected from moisture and prevents light spill. The faceplate is precision machined from Solid Brass or Copper. Manufactured entirely in the USA. Exclusively by Auroralight.

**Features include:**

- 4 Watts and Up to 50 lumens
- Cree XLAMP® (XP-L) LED
- 2700K (80 & 90 CRI) or 3000K (80 CRI), or Amber 585-595nm
- Thermally Integrated® w/ Copper Core Technology®
- 12V Integral Constant Current Driver AC or DC input.
- Dimmable to <10% (TRIAC/Forward Phase)
- Compatible w/ 12V AC/DC MLV or ELV Transformers
- Solid Brass Faceplate



## COPPER CORE TECHNOLOGY®

Copper Core® is a registered trademark of Auroralight. It is synonymous with the mark of quality and integrity. It means that our products are built upon a superior foundation of Solid Copper, ensuring every critical part functions seamlessly together Thermally integrated® one component to the next. Auroralight manufactured without compromise, engineered with passion, in the USA.



12V



THERMALLY INTEGRATED

**SEE NEXT PAGE FOR ORDERING INFORMATION**



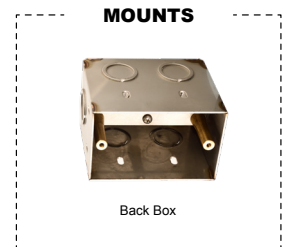
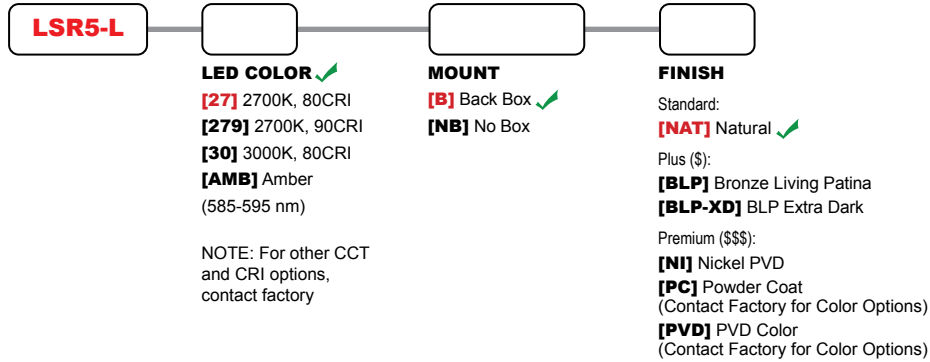


# LSR5-L VERTEX

**ORDERING GUIDE:** <sup>Prefix</sup> **LSR5-L** L (LED) S (STEP LIGHT) R (RECTANGULAR) 5 (INCHES) L (LOUVER)

□ INDICATES REQUIRED FIELD    □ INDICATES OPTIONAL FIELD    ✓ INCLUDED    [ \_ ] QUICK SPEC (See Below)

**QUICK SPEC SKU** **LSR5-L-BR-27-B-NAT**



## PHOTOMETRIC OVERVIEW

Information based on 4W. To download more in-depth IES photometric data, visit [auroralight.com/product/lsr5-l-vertex/](http://auroralight.com/product/lsr5-l-vertex/)

Mounting Height - 2 Feet

