

Emperor 1



Features

- Modern, elegant design complements today's architecture; choice of materials to complement your theme
- Durable construction with sleek, stainless steel aviation cables and stem suspension
- Thermo-formed, UV-stabilized acrylic diffusers and dust covers are available in an assortment of natural patterns
- Available with compact fluorescent and incandescent sources for design flexibility
- Optional emergency ballast available in case of a power interruption
- Optional dimming maintains a consistent color temperature
- Cool operation for extended lamp and component life
- Easy to maintain and re-lamp, no tools required

Applications

The Emperor 1 Pendant is ideally suitable for dry, indoor areas where a general diffuse or semi-indirect light distribution is required, such as banquet halls, lobbies, and any area with a high ceiling that requires a touch of elegance.

TMSLIGHTING

ESTABLISHED 1923

Construction

Steel trim, stem and ceiling canopy, with a universal 15° ceiling slope adapter. Aircraft cables provide support. Diffusers and dust covers are formed with acrylic.

Lamp

Emperor 1 is designed to operate with compact fluorescent (42W max.) or incandescent (60W max.) light sources. Incandescent models use a medium base socket (E26).

Ballasts

Ballasts are integral and electronic. They are efficient with a high power factor greater than 90%, and quiet with an "A" sound rating.

Diffuser

Diffusers and dust covers are formed with UV-stabilized acrylic.

A choice of natural shades and patterns are available, for lamp and component protection.

Dimming

Dimming options include the Mark 7 ® (0-10V), Mark 10 ® (line voltage), DALI (addressable), or Ecosystem ®.

Note: Compatibility of this product is not guaranteed with all control systems.

Emergency

For CF lamps, an optional, integrated, emergency backup is available, where power is supplied to just 1 lamp.

The test switch and indicator light are remotely mounted.

Mounting

Mount on a ceiling, directly to a standard 4" junction box, flush with the ceiling. The ceiling slope adapter, 15° max., keeps the pendant hanging vertically.

Follow the installation instructions, and adhere to your local electrical code.

Finish

Available in several TMS premium plated and polyester powder-coated finishes. See the TMS Finishes and Diffusers chart. Custom and RAL finishes are also available by special order.

Compliances

QPS-C/US, or UL-C/US certified to UL1598 standards. Rated IP20 for use in dry, indoor locations. The Consultants Europe (CE) listing is available upon request.





Emperor 1

TMSLIGHTING

ESTABLISHED 1923

5101

1 2 3 4 5 6 7 8

Project: _____
Type: _____
Quantity: _____

Notes:

1 • Diameter

28: 28" dia. x 35"h (71cm x 89cm)
36: 36" dia. x 43"h (91cm x 109cm)
48: 48" dia. x 47"h (122cm x 140cm)

2 • Lamping

60IN4: 4x 60W INC (28"-36" dia.)
26CF4: 4x 26W PL-T (28"-36" dia.)
32CF4: 4x 32W PL-T (28"-36" dia.)
42CF4: 4x 42W PL-T (28"-36" dia.)
60IN6: 6x 60W INC (48" dia.)
26CF6: 6x 26W PL-T (36"-48" dia.)
32CF6: 6x 32W PL-T (36"-48" dia.)
42CF6: 6x 42W PL-T (36"-48" dia.)

3 • Voltage

120: 120V
277: 277V
347: 347V (CF only)

4 • Finish

Plated

SN: Satin nickel
CH: Chrome
BC: Black chrome
AC: Antique copper
AB: Antique brass
SB: Satin brass
PB: Polished brass

Powder-coated

F05: White
F09: Pewter
F16: Gloss black
F19: Mirror silver
F24: Melted platinum (textured)
F25: Melted gold (textured)
F26: Melted copper (textured)
F31: Silver metallic
F32: Bronze metallic
F33: Pyrite bronze
RAL: RAL custom color (specify)

5 • Diffuser

OP: Opal-white
SD: Sand-blasted white
WA: White, faux alabaster
BA: Beige, faux alabaster
PE: Faux pearl

6 • Dust Covers

CD: Clear dust cover
OD: Opal-white dust cover

7 • Dimming

—: None
DIM: CF dimming (Advance Mark 10 ®)
DIMV: CF dimming (Advance Mark 7 ®; 0-10V)
DIMD: CF dimming (Advance DALI)
DIME: CF dimming (Lutron Ecosystem ®)

8 • Emergency

—: None
EM: Integral CF (min. operating temp. +5°C/+40°F)

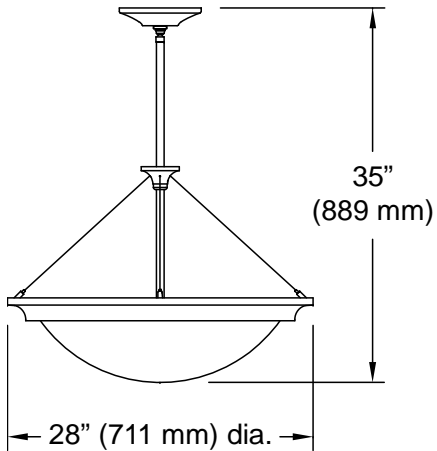


Emperor 1

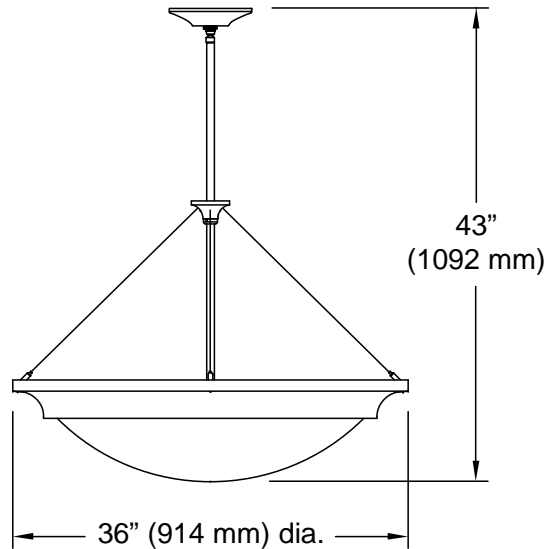
TMSLIGHTING

ESTABLISHED 1923

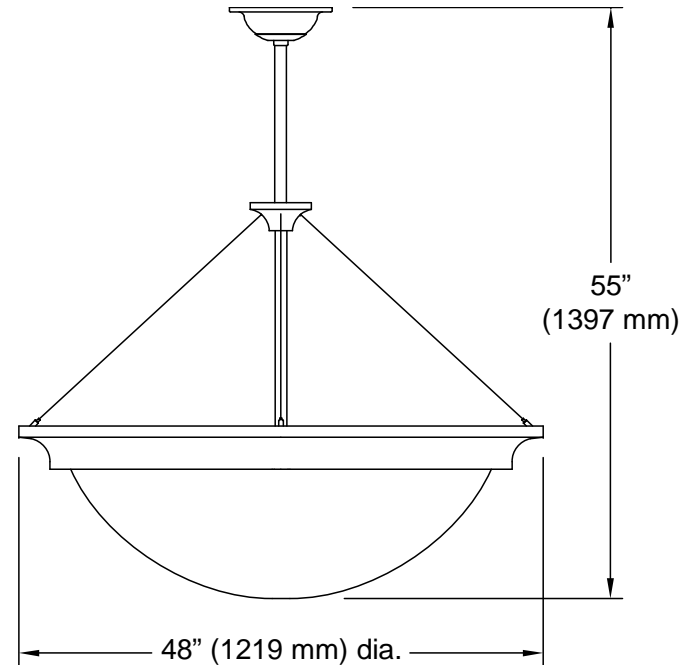
5101-28



5101-36



5101-48



Custom

TMS Lighting can customize this and many of our standard fixtures. The dimensions, lamp types, enclosure and colors could be modified to suit your lighting and architectural requirements. Contact your local representative for more details: <http://tmslighting.com/info/agents>

Specifications are subject to change without notice.

TMS Lighting Inc.
247A Summerlea Road,
Brampton, Ontario,
Canada. L6T 4E1

Web Site: tmslighting.com

North America: (905) 793-1174

Toll-free: (866) 793-1174

Fax: (905) 793-1175

UK & Europe: 44-1474-250-654