

Pantheon 1



Features

- Projects a soft glow throughout the surround
- Elegantly-designed, heavy gauge steel trim and body, for a secure ceiling suspension and component support
- Mounts to a standard electrical junction box (by others) for sloped ceiling up to 15° from horizontal
- Available in a broad assortment of finishes and materials to complement architectural details and décor
- Multi-function CF dimming option
- Optional CF battery back-up in case of a power interruption
- Optional dust covers for added component protection

TMSLIGHTING

ESTABLISHED 1923

Applications

The Pantheon 1 pendant will produce a soft glow in all directions, in a semi-indirect pattern. The soft glow provides a smooth wash effect without any glare. The Pantheon 1 takes advantage of light-colored ceilings, where the reflected uplight extends the area of coverage. It is ideal for illuminating commercial facilities, such as entrances, lobbies, banquet facilities, and other areas of the hospitality industry.

Construction

Steel trim, stem and ceiling canopy, with a universal ceiling slope adapter.

Lamp

Pantheon 1 is designed to operate with compact fluorescent (42W max.) or incandescent (60W max.) light sources. Incandescent models use a medium base socket (E26).

Ballasts

Ballasts are integral and electronic. They are efficient with a high power factor greater than 90%, and quiet with an "A" sound rating.

Diffuser

The standard diffuser is formed with UV-stabilized, opal-white acrylic. Other diffuser patterns are also available.

A choice of opal-white or clear dust cover is available for lamp and component protection.

Dimming

Dimming options include the Mark 7 ® (0-10V), Mark 10 ® (line voltage), DALI (addressable), or Ecosystem ®.

Note: Compatibility of this product is not guaranteed with all control systems.

Emergency

For CF lamps, an optional, emergency backup is available, where power is supplied to just 1 lamp.

The test switch and indicator light are remotely mounted.

Mounting

Mount on a ceiling, directly to a standard 4" junction box, flush with the ceiling. The ceiling slope adapter, 15° max., keeps the pendant hanging vertically.

Finish

Available in several TMS standard, premium, plated and polyester powder-coated finishes. Custom or RAL finishes are also available by special order. See the [Finishes-Diffusers Chart TMS v1.00.pdf](#).

Compliances

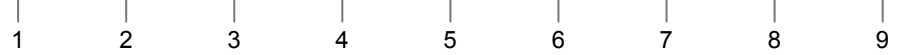
QPS-C/US, or UL-C/US certified to UL1598 standards. Rated IP20 for use in dry, indoor locations. The Consultants Europe (CE) listing is available upon request.



Pantheon 1

TMSLIGHTING
ESTABLISHED 1923

5301



1 • Diameter

30: 30" dia. x 38" h (76 cm x 97 cm)

2 • Lamping

60IN4: 4x 60W INC
26CF4: 4x 26W PL-T
32CF4: 4x 32W PL-T
42CF4: 4x 42W PL-T

3 • Voltage

120: 120V (60W INC)
277: 277V
347: 347V

4 • Finish

SN: Satin nickel
CH: Chrome
BC: Black chrome
AC: Antique copper
AB: Antique brass
SB: Satin brass
PB: Polished brass
F05: White
F09: Pewter
F16: Gloss black
F19: Mirror silver
F24: Melted platinum (textured)
F25: Melted gold (textured)
F26: Melted copper (textured)
F31: Silver metallic
F32: Bronze metallic
F33: Pyrite bronze
RAL: RAL custom color (specify)

5 • Diffuser

OP: Opal-white acrylic
SD: Sand-blasted white
WA: 30" White, Faux alabaster
BA: 30" Beige, Faux alabaster
PE: 30" Faux pearl

6 • Dust Covers

CD: 30" Clear dust cover
OD: 30" Opal-white dust cover

7 • Dimming

—: None
DIM: 4 lamps - CF dimming (Advance Mark 10 ®)
DIMV: 4 lamps - CF dimming (Advance Mark 7 ®; 0-10V)
DIMD: 4 lamps - CF dimming (Advance DALI)
DIME: 4 lamps - CF dimming (Lutron Ecosystem ®)

8 • Emergency

—: None
EM: Integral CF (min. operating temp. +5°C/+40°F)

9 • Supplied Lamp(s) CF/MH

—: None
41K4: 4x lamps supplied (4100°K, CRI 80)

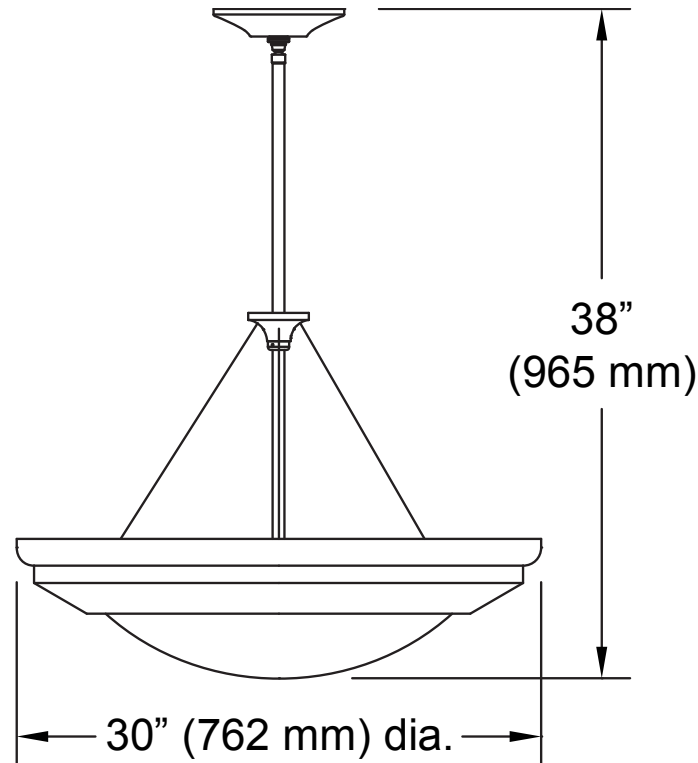
Project: _____
Type: _____
Quantity: _____
Notes:



Pantheon 1

TMSLIGHTING

ESTABLISHED 1923



Custom

TMS Lighting can customize this and many of our standard fixtures. The dimensions, lamp types, enclosure and colors could be modified to suit your lighting and architectural requirements. Contact your local representative for more details: <http://www.tmslighting.com/info/agents>

TMS Lighting Ltd.
247A Summerlea Road,
Brampton, Ontario,
Canada. L6T 4E1

North America: (905) 793-1174
Toll-free: (866) 793-1174
Fax: (905) 793-1175

UK & Europe: 44-1474-250-654