

Empress 2



Features

- Elegantly-designed to complement traditional and contemporary architecture
- Manufactured with heavy gauge steel for secure ceiling suspension and component support
- Available in an assortment of sizes, configurations, materials, and finishes to complement architectural details and décor

Applications

Empress 2 will produce a soft glow in all directions. It is ideal for illuminating commercial facilities, such as entrances, lobbies, and locations of high visibility that require a touch of elegance.

The semi-indirect distribution provides a smooth, washing effect without any glare. The pendant takes advantage of light-colored ceilings, where the reflected light could extend the area of coverage.

TMSLIGHTING

ESTABLISHED 1923

Construction

Steel trim, finial, accents, stem supports, and ceiling canopy, with a universal ceiling slope adapter. Diffusers and dust covers are formed with acrylic.

Lamp

Empress 2 operates with compact fluorescent (6x 42W max.) or incandescent (6x 60W max.) light sources. Incandescent units use a medium base socket (E26).

Ballasts

Ballasts are integral and electronic. They are efficient with a high power factor greater than 90%, and quiet with an "A" sound rating.

Diffuser

Diffusers and dust covers are formed with UV-stabilized acrylic.

The decorative studs and finial add a touch of contemporary elegance to the overall appearance.

An opal-white acrylic, or clear acrylic dust cover is available, for lamp and component protection.

Dimming

Dimming options include the Mark 7 ® (0-10V), Mark 10 ® (line voltage), DALI (addressable), or Ecosystem ®.

Note: Compatibility of this product is not guaranteed with all control systems.

Emergency

For CF lamps, an optional, integral, emergency back-up is available, where power would be supplied to 1 lamp.

The test switch and indicator light are remotely mounted.

Mounting

Mount to a flat ceiling, directly to a standard 4" electrical junction box, flush with the ceiling. The ceiling slope adapter keeps the pendant hanging vertically (15° max. for 30" and 36" dia., and 20° max. for 48" dia.).

Finish

Available in several TMS premium plated and polyester powder-coated finishes. See the TMS Finishes and Diffusers chart. Custom and RAL finishes are also available by special order.

Compliances

QPS-C/US, or UL-C/US certified to UL1598 standards. Rated IP20 for use in dry, indoor locations. The Consultants Europe (CE) listing is available upon request.





Empress 2

TMSLIGHTING

ESTABLISHED 1923

5020

1 2 3 4 5 6 7 8

Project: _____
Type: _____
Quantity: _____

Notes:

1 • Diameter

30: 30" dia. x 24"h (76cm x 61cm)
36: 36" dia. x 30"h (91cm x 76cm)
48: 48" dia. x 36"h (122cm x 92cm)
Note: Additional freight charges apply to 36" and 48" dia. models; see the freight terms.

2 • Lamping

60IN4: 4x 60W incandescent (30" and 36" dia.)
26CF4: 4x 26W PL-T (30" and 36" dia.)
32CF4: 4x 32W PL-T (30" and 36" dia.)
42CF4: 4x 42W PL-T (30" and 36" dia.)
60IN6: 6x 60W Incandescent (48" dia.)
26CF6: 6x 26W PL-T (36" and 48" dia.)
32CF6: 6x 32W PL-T (36" and 48" dia.)
42CF6: 6x 42W PL-T (36" and 48" dia.)

3 • Voltage

120: 120V
277: 277V
347: 347V (CF only)

4 • Finish

Plated

SN: Satin nickel
CH: Chrome
BC: Black chrome
AC: Antique copper
AB: Antique brass
SB: Satin brass
PB: Polished brass

Powder-coated

F05: White
F09: Pewter
F16: Gloss black
F19: Mirror silver
F24: Melted platinum (textured)
F25: Melted gold (textured)
F26: Melted copper (textured)
F31: Silver metallic
F32: Bronze metallic
F33: Pyrite bronze
RAL: RAL custom color (specify)

5 • Diffuser

OP: Opal-white acrylic
SD: Sand-blasted, white acrylic
WA: White, faux alabaster acrylic
BA: Beige, faux alabaster acrylic
PE: Faux pearl acrylic

6 • Dust Cover

—: None
CD: Clear acrylic dust cover
OD: Opal-white acrylic dust cover

7 • Dimming

—: None
DIM: CF dimming (Advance Mark 10 ®)
DIMV: CF dimming (Advance Mark 7 ®, 0-10V)
DIMD: CF dimming (Advance DALI)
DIME: CF dimming (Lutron Ecosystem ®)

8 • Emergency

—: None
EM: Integral CF (min. operating temp. +5°C/
+40°F)

Note: Some options may not be compatible with others. To ensure compatibility between options, go to tmslighting.com, on the "details" page of this luminaire, and use the configuration tool.

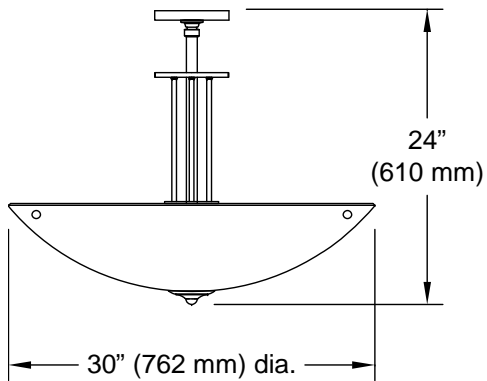


Empress 2

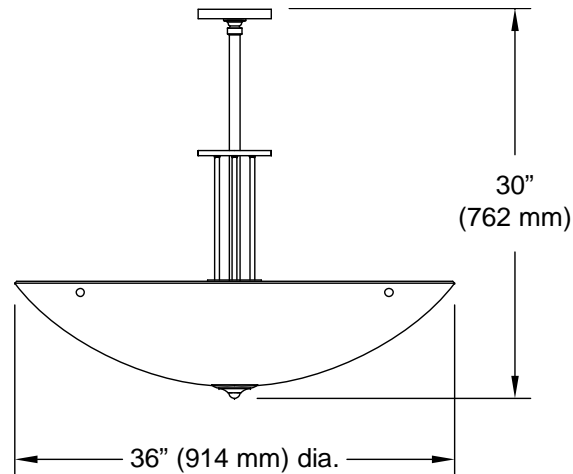
TMSLIGHTING

ESTABLISHED 1923

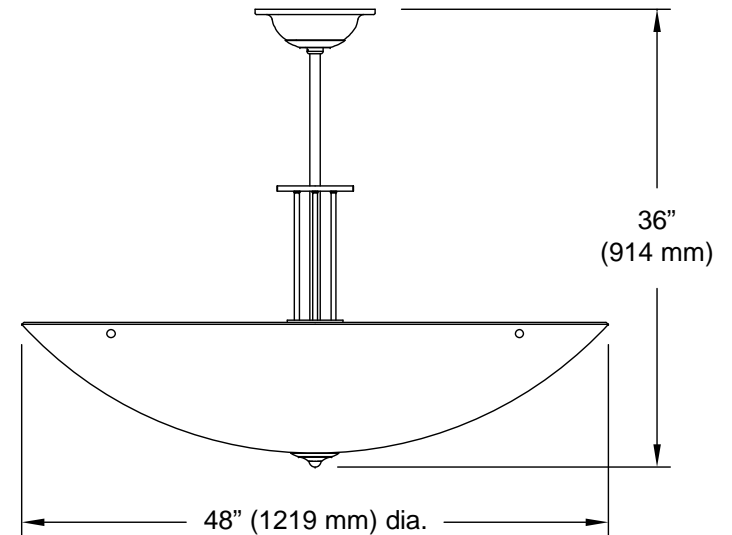
5020-30



5020-36



5020-48



Custom

TMS Lighting can customize this and many of our standard fixtures. The dimensions, lamp types, enclosure and colors could be modified to suit your lighting and architectural requirements. Contact your local representative for more details: <http://www.tmslighting.com/info/agents>

Specifications are subject to change without notice.

TMS Lighting Inc.
247A Summerlea Road,
Brampton, Ontario,
Canada. L6T 4E1

Web Site: tmslighting.com

North America: (905) 793-1174
Toll-free: (866) 793-1174
Fax: (905) 793-1175

UK & Europe: 44-1474-250-654