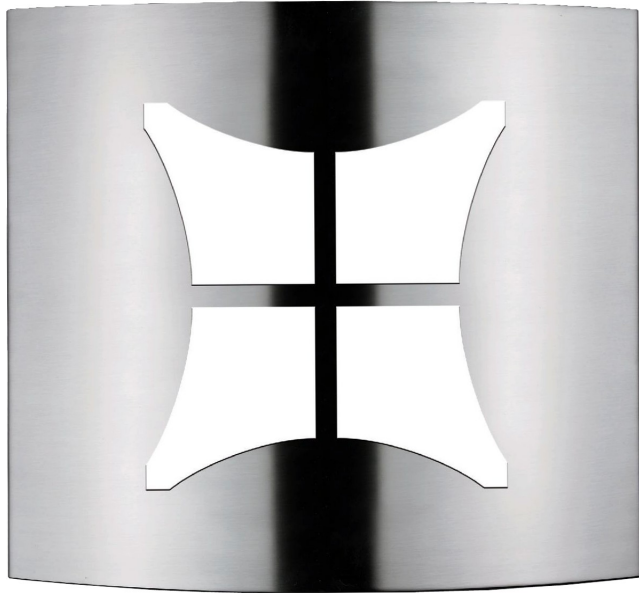


Amherst AW



Features

- Projects a unique forward pattern, with up and downlight components
- Architectural design to complement most corporate environments
- ADA compliant with a low profile
- Practical and aesthetic options for application and design flexibility
- Fascia could be customized with a logo or image aperture

Applications

The Amherst AW sconce is ideal for illuminating indoor and outdoor areas such as entrances, lobbies, and other areas that could benefit from a soft glow and good aesthetics.

TMSLIGHTING

ESTABLISHED 1923

Construction

The precisely cut enclosure is manufactured with steel for indoor, and aluminum for outdoor locations. The gear tray is manufactured with steel, with stainless steel hardware. The diffuser and dust covers are formed with acrylic.

Available in 2 sizes:

13: 13" w x 12" h x 3.8 d (33 cm x 30 cm x 10 cm)

16: 16" w x 14" h x 3.8" d (41 cm x 36 cm x 10 cm)

Note: The size 13 model is designed for indoor applications only.

Lamp

Operates with compact fluorescent (2x 26W max.), and integrated Cree™ LED (28W max.). Specify 3000K, 3500K or 4000K CCT for LED systems.

Note: A lamp socket is provided for CF systems. LED modules are wired directly to the integral driver, and do not require a socket.

Only integrated LED sources are supplied, not lamps.

Ballast

Ballasts are integral and electronic, efficient with a high power factor greater than 90% and quiet with an "A" sound rating.

LED Driver

The LED source is controlled by an advanced electronic driver that delivers consistent power.

Surge Suppressor

All 120V, 277V and universal voltage fixtures are equipped with a 6kV surge suppressor.

Diffuser

Diffusers and dust covers are formed with 1/8" thick, UV-stabilized acrylic, and secured into the enclosure. See page 3, and the "Finishes and Diffusers" chart.

Dimming

CF dimming options include the Mark 7 ® (0-10V), Mark 10 ® (line voltage), DALI (addressable), or Ecosystem ®.

The LED dimming option is the 0-10V type with pulse width modulation (PWM), and current-sinking control.

Note: The dimming option is available to systems with 120-277V supply voltage only.

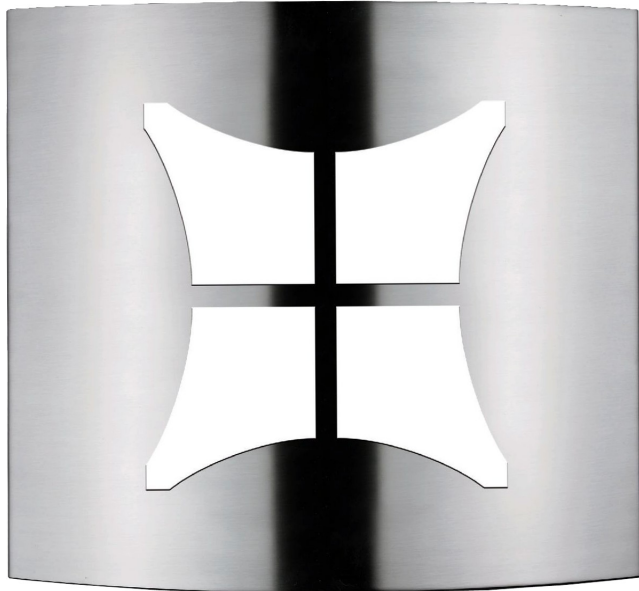
The dimming option is not available for outdoor, CF applications.

Use a current-sinking dimming system (by others) for LED dimming.

The compatibility of this product is not guaranteed with all control systems.



Amherst AW



Features

- Projects a unique forward pattern, with up and downlight components
- Architectural design to complement most corporate environments
- ADA compliant with a low profile
- Practical and aesthetic options for application and design flexibility
- Fascia could be customized with a logo or image aperture

TMSLIGHTING

ESTABLISHED 1923

Emergency

Remote emergency back-ups are available for LED and CF systems, in standard and cold pack types.

Note: Emergency back-ups are available for systems with 120-277V supply only.

The LED emergency back-up is available with the size 13 model only.

The test switch and indicator light would be remote.

Remote LED: (20 ft. / 6.096 m max. distance from EM to LED; min. operating temp. +5C/+40F; dry location)

Remote LED with cold pack: (20 ft. / 6.096 m max. distance from EM to LED; min. operating temp. -20C/-4F)

Remote CF: (7 ft. / 2.134 m max. distance from EM to lamp; min. operating temp. +5C/+40F; dry location)

Remote CF with cold pack: (7 ft. / 2.134 m max. distance from EM to lamp; min. operating temp. -20C/-4F)

Finish

Available in several TMS polyester powder-coated and plated finishes; see page 3, and the "Finishes and Diffusers" chart.

Custom RAL finishes are available by special order.

Note: Plated finishes are to be used for indoor applications only.

Mounting

Mount onto a flat wall, directly over a standard 4" electrical junction box.

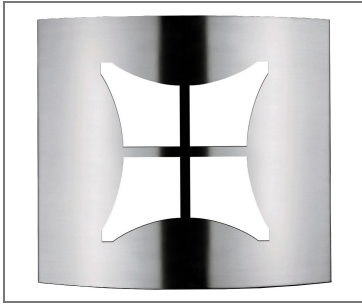
Note: The distance from the top of the luminaire to the ceiling should exceed the height of the fascia. This would allow removal of the fascia for installation and re-lamping.

Follow the installation instructions, and adhere to the local electrical code.

Compliances

Rated IP20 for dry indoor locations, and IP43 for dry to wet outdoor locations. Certified to UL 1598 C-US, and QPS standards, and the Americans with Disabilities Act (ADA).

The Consultants Europe (CE) listing is available upon request.



Amherst AW

TMSLIGHTING
ESTABLISHED 1923

AM200AW

1 2 3 4 5 6 7 8 9

Project: _____
Type: _____
Quantity: _____

Notes:

1 • Location

I: Indoor
O: Outdoor (16" width only)

2 • Size

13: 13" w x 12" h x 3.8 d (33cm x 30cm x 10cm)
16: 16" w x 14" h x 3.8" d (41cm x 36cm x 10cm)

3 • Lamping

13CF2: 2x 13W CF (PL-T; 13" w only)
18CF2: 2x 18W CF (PL-T)
26CF2: 2x 26W CF (PL-T)
14LED: 14W LED (13" w only; CRI 80)
28LED: 28W LED (16" w only; CRI 80)

4 • LED CCT (color temp.)

—: None
30K: 3000K
35K: 3500K
40K: 4000K

5 • Voltage

120: 120V
277: 277V
347: 347V (CF only)

6 • Finish

Plated (indoor)

SN: Satin nickel
CH: Chrome
BC: Black chrome
AC: Antique copper
AB: Antique brass
SB: Satin brass
PB: Polished brass

Powder-coated

F05: White
F09: Pewter
F15: Matte black
F16: Gloss black
F18: Flat aluminum
F19: Mirror silver
F24: Melted platinum (textured)
F25: Melted gold (textured)
F26: Melted copper (textured)
F31: Silver metallic
F33: Pyrite bronze
RAL: RAL custom color (specify)

7 • Diffuser

OP: Opal-white acrylic
SD: Sand-blasted, white acrylic
FPD: Faux perforated acrylic

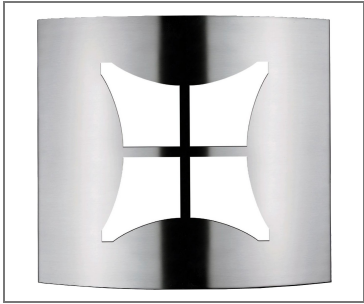
8 • Dimming

—: None
DIM: CF dimming (Advance Mark 10 ®)
DIMV: CF dimming (Advance Mark 7 ®; 0-10V)
DIMD: CF dimming (Advance DALI)
DIME: CF dimming (Lutron Ecosystem ®)
DIML: LED dimming (0-10V; current-sinking)
Note: 120-277V supply only.

9 • Emergency

—: None
EMR: Remote CF or LED
EMCR: Remote CF or LED with cold pack
Note: 120-277V supply only.

Note: Some options may not be compatible with others. To ensure compatibility between options, please visit tmslighting.com, on the "details" page of this luminaire, and use the configuration tool.

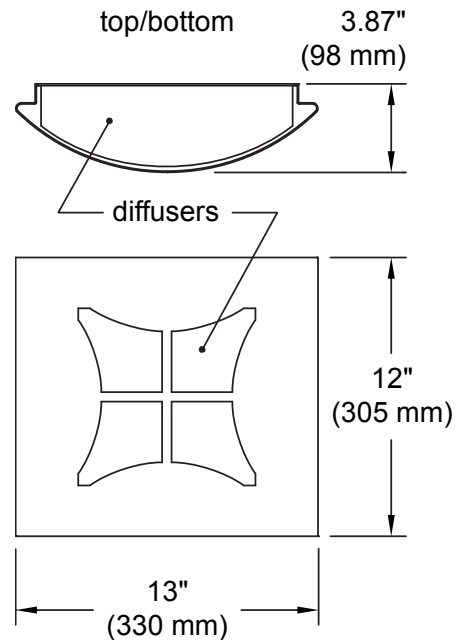


Amherst AW

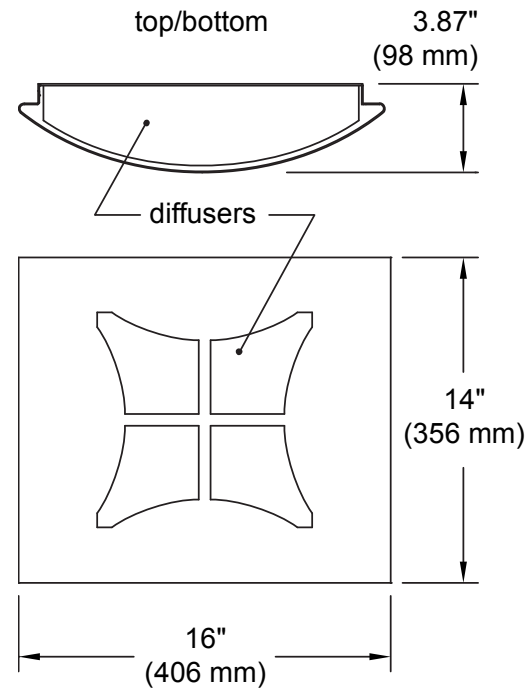
TMSLIGHTING

ESTABLISHED 1923

AM200AW-I/O-13



AM200AW-I/O-16



Custom

TMS Lighting can customize this and many of our standard fixtures. The dimensions, lamp types, enclosure and colors could be modified to suit your lighting and architectural requirements. Contact your local representative for more details: <http://www.tmslighting.com/info/agents>

Specifications are subject to change without notice.

TMS Lighting Inc.

247A Summerlea Road,
Brampton, Ontario,
Canada. L6T 4E1

Web Site: tmslighting.com

North America: (905) 793-1174

Toll-free: (866) 793-1174

Fax: (905) 793-1175

UK & Europe: 44-1474-250-654