

# Amherst QS

**TMSLIGHTING**

ESTABLISHED 1923



## Features

- Projects a unique forward pattern, with up and downlight components
- Architectural design to complement most corporate environments
- ADA compliant with a low profile
- Practical and aesthetic options for application and design flexibility
- Fascia could be customized with a logo or image aperture

## Applications

The Amherst QS sconce is ideal for illuminating indoor and outdoor areas such as entrances, lobbies, and other areas that could benefit from a soft glow and good aesthetics.

## Construction

The precisely cut enclosure is manufactured with steel for indoor, and aluminum for outdoor locations. The gear tray is manufactured with steel, with stainless steel hardware. The diffuser and dust covers are formed with acrylic.

Available in 2 sizes:

13: 13" w x 12" h x 3.8 d (33 cm x 30 cm x 10 cm)

16: 16" w x 14" h x 3.8" d (41 cm x 36 cm x 10 cm)

Note: The size 13 model is designed for indoor applications only.

## Lamp

Operates with compact fluorescent (2x 26W max.), and integrated Cree™ LED (28W max.). Specify 3000K, 3500K or 4000K CCT for LED systems.

Note: A lamp socket is provided for CF systems. LED modules are wired directly to the integral driver, and do not require a socket.

Only integrated LED sources are supplied, not lamps.

## Ballast

Ballasts are integral and electronic, efficient with a high power factor greater than 90% and quiet with an "A" sound rating.

## LED Driver

The LED source is controlled by an advanced electronic driver that delivers consistent power.

## Surge Suppressor

All 120V, 277V and universal voltage fixtures are equipped with a 6kV surge suppressor.

## Diffuser

Diffusers and dust covers are formed with 1/8" thick, UV-stabilized acrylic, and secured into the enclosure. See page 3, and the "Finishes and Diffusers" chart.

## Dimming

CF dimming options include the Mark 7 ® (0-10V), Mark 10 ® (line voltage), DALI (addressable), or Ecosystem ®.

The LED dimming option is the 0-10V type with pulse width modulation (PWM), and current-sinking control.

Note: The dimming option is available to systems with 120-277V supply voltage only.

The dimming option is not available for outdoor, CF applications.

Use a current-sinking dimming system (by others) for LED dimming.

The compatibility of this product is not guaranteed with all control systems.

# Amherst QS

**TMSLIGHTING**

ESTABLISHED 1923



## Features

- Projects a unique forward pattern, with up and downlight components
- Architectural design to complement most corporate environments
- ADA compliant with a low profile
- Practical and aesthetic options for application and design flexibility
- Fascia could be customized with a logo or image aperture

## Emergency

Remote emergency back-ups are available for LED and CF systems, in standard and cold pack types.

Note: Emergency back-ups are available for systems with 120-277V supply only.

The LED emergency back-up is available with the size 13 model only.

The test switch and indicator light would be remote.

Remote LED: (20 ft. / 6.096 m max. distance from EM to LED; min. operating temp. +5C/+40F; dry location)

Remote LED with cold pack: (20 ft. / 6.096 m max. distance from EM to LED; min. operating temp. -20C/-4F)

Remote CF: (7 ft. / 2.134 m max. distance from EM to lamp; min. operating temp. +5C/+40F; dry location)

Remote CF with cold pack: (7 ft. / 2.134 m max. distance from EM to lamp; min. operating temp. -20C/-4F)

## Finish

Available in several TMS polyester powder-coated and plated finishes; see page 3, and the "Finishes and Diffusers" chart.

Custom RAL finishes are available by special order.

Note: Plated finishes are to be used for indoor applications only.

## Mounting

Mount onto a flat wall, directly over a standard 4" electrical junction box.

Note: The distance from the top of the luminaire to the ceiling should exceed the height of the fascia. This would allow removal of the fascia for installation and re-lamping.

Follow the installation instructions, and adhere to the local electrical code.

## Compliances

Rated IP20 for dry indoor locations, and IP43 for dry to wet outdoor locations. Certified to UL 1598 C-US, and QPS standards, and the Americans with Disabilities Act (ADA).

The Consultants Europe (CE) listing is available upon request.



# Amherst QS

**TMSLIGHTING**  
ESTABLISHED 1923

## AM200QS

1 2 3 4 5 6 7 8 9

Project: \_\_\_\_\_  
Type: \_\_\_\_\_  
Quantity: \_\_\_\_\_

Notes:

### 1 • Location

I: Indoor  
O: Outdoor (16" width only)

### 2 • Size

13: 13" w x 12" h x 3.8 d (33cm x 30cm x 10cm)  
16: 16" w x 14" h x 3.8" d (41cm x 36cm x 10cm)

### 3 • Lamping

13CF2: 2x 13W CF (PL-T; 13" w only)  
18CF2: 2x 18W CF (PL-T)  
26CF2: 2x 26W CF (PL-T)  
14LED: 14W LED (13" w only; CRI 80)  
28LED: 28W LED (16" w only; CRI 80)

### 4 • LED CCT (color temp.)

—: None  
30K: 3000K  
35K: 3500K  
40K: 4000K

### 5 • Voltage

120: 120V  
277: 277V  
347: 347V (CF only)

### 6 • Finish

#### Plated (indoor)

SN: Satin nickel  
CH: Chrome  
BC: Black chrome  
AC: Antique copper  
AB: Antique brass  
SB: Satin brass  
PB: Polished brass

#### Powder-coated

F05: White  
F09: Pewter  
F15: Matte black  
F16: Gloss black  
F18: Flat aluminum  
F19: Mirror silver  
F24: Melted platinum (textured)  
F25: Melted gold (textured)  
F26: Melted copper (textured)  
F31: Silver metallic  
F33: Pyrite bronze  
RAL: RAL custom color (specify)

### 7 • Diffuser

OP: Opal-white acrylic  
SD: Sand-blasted, white acrylic  
FPD: Faux perforated acrylic

### 8 • Dimming

—: None  
DIM: CF dimming (Advance Mark 10 ®)  
DIMV: CF dimming (Advance Mark 7 ®; 0-10V)  
DIMD: CF dimming (Advance DALI)  
DIME: CF dimming (Lutron Ecosystem ®)  
DIML: LED dimming (0-10V; current-sinking)  
Note: 120-277V supply only.

### 9 • Emergency

—: None  
EMR: Remote CF or LED  
EMCR: Remote CF or LED with cold pack  
Note: 120-277V supply only.

**Note:** Some options may not be compatible with others. To ensure compatibility between options, please visit [tmslighting.com](http://tmslighting.com), on the "details" page of this luminaire, and use the configuration tool.

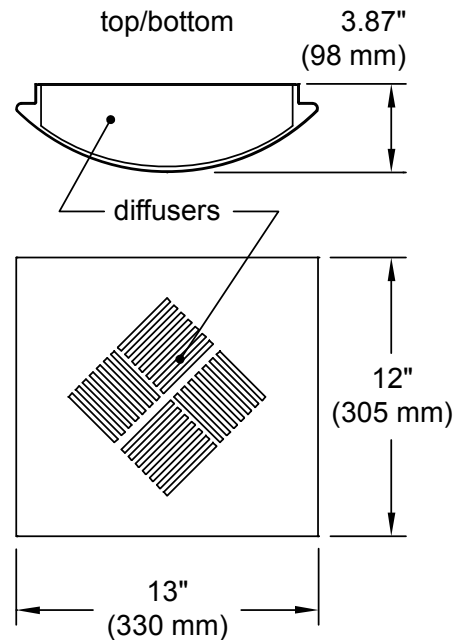


# Amherst QS

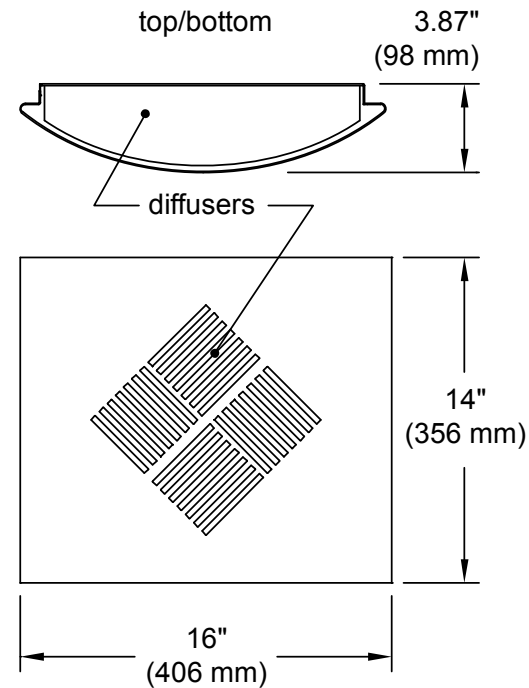
**TMS**LIGHTING

ESTABLISHED 1923

**AM200QS-I/O-13**



**AM200QS-I/O-16**



## Custom

TMS Lighting can customize this and many of our standard fixtures. The dimensions, lamp types, enclosure and colors could be modified to suit your lighting and architectural requirements. Contact your local representative for more details: <http://www.tmslighting.com/info/agents>

Specifications are subject to change without notice.

## TMS Lighting Inc.

247A Summerlea Road,  
Brampton, Ontario,  
Canada. L6T 4E1

Web Site: [tmslighting.com](http://tmslighting.com)

**North America:** (905) 793-1174

**Toll-free:** (866) 793-1174

**Fax:** (905) 793-1175

**UK & Europe:** 44-1474-250-654