

Sign 24



Features

- Asymmetrical reflector provides wide area coverage
- Approved for indoor and outdoor applications
- Surge suppressor protects the internal components
- Practical options for application and design flexibility
- Quality components for extended lamp and component life

Applications

Sign 24 is ideal for illuminating signage at close range. It is designed to project at a 60° angle of incidence to cover the full height of the target area.

Construction

TMSLIGHTING

ESTABLISHED 1923

High grade aluminum reflector and mounting arm, with stainless steel hardware.

Lamp

Operates with Cree™ LED (19W max.), compact fluorescent (42W max., PL-T), metal halide (100W max. E-17), and incandescent (100W max., A-19) light sources. Specify 3000K, 3500K, or 4000K CCT for LED systems.

A dimmable 17W LED lamp is also available (120V, PAR 38, E26 base, CCT 4000K, 60° beam).

Note: LED systems use 120-277V supply voltage, and are not compatible with 347V. Incandescent and metal halide systems, and those using the 17W LED PAR 38 lamp, use a medium base socket (E26). LED modules do not require a socket, and are wired directly to the integral driver.

Diffuser

Globe: clear and prismatic glass globes are available for greater diffusion and lamp protection.

Note: G3 is available with 15LED, 32CF, 100MH and 100IN max.

Only prismatic globes are available with LED systems.

Globes are not available with the 17W LED PAR 38 lamps.

Option

Wire Guard: a steel, chrome-plated wire guard is available for lamp protection against light projectiles, wildlife, and serves as a vandal deterrent.

Ballast / Driver

Integral and remote, ballasts and drivers are available for indoor and outdoor locations.

Ballasts are integral and electronic; efficient with a high power factor greater than 90%, and quiet with an "A" sound rating.

The LED source is controlled by an advanced electronic driver that delivers consistent power.

Surge Suppressor

All 120V, 277V, and universal voltage LED luminaires are equipped with an integral, 6kV surge suppressor.

Dimming

The LED dimming option is the 0-10V current-sinking type.

Note: The dimming option is available to systems with 120-277V supply voltage only. Use a current-sinking dimming system (by others) for LED dimming.

Compatibility of this product is not guaranteed with all control systems.

Emergency

For LED and CF systems, integral and remote emergency back-ups are available, in the standard temperature and cold temperature type. See "Emergency Back-ups for

Sign 24



Features

- Asymmetrical reflector provides wide area coverage
- Approved for indoor and outdoor applications
- Surge suppressor protects the internal components
- Practical options for application and design flexibility
- Quality components for extended lamp and component life

TMSLIGHTING

ESTABLISHED 1923

Sign Lights”.

Note: The emergency back-up option is available with 120-277V systems only.

The test switch and indicator light would be remote.

EM Integral LED: (min. operating temp. +5C/+40F)

EMR Remote LED: (20 ft. / 6.096 m max. distance from EM to LED; min. operating temp. +5C/+40F; dry location mounting)

EMC Integral LED with Cold Pack: (min. operating temp. -20C/-4F)

EMCR Remote LED with Cold Pack: (20 ft. / 6.096 m max. distance from EM to LED; min. operating temp. -20C/-4F)

EM Integral CF: (min. operating temp. +5C/+40F)

EMC Integral CF with Cold Pack: (min. operating temp. -20C/-4F)

EMR Remote CF: (7 ft. / 2.134 m max. distance from EM to lamp; min. operating temp. +5C/+40F; dry location)

EMCR Remote CF with Cold Pack: (7 ft. / 2.134 m max. distance from EM to lamp; min. operating temp. -20C/-4F)

Finish

Available in several TMS specialty brushed, plated, and powder-coated finishes; see the TMS “Finishes and Diffusers” chart.

Custom RAL finishes are available by special order.

Note: The reflector would be finished with white on the inside, and the specified color on the outside. Textured finishes are applied to all areas of the reflector.

Mounting

Mount on a flat surface, directly over a standard 4” electrical junction box.

Follow the installation instructions and adhere to your local electrical code.

Compliances

QPS-C/US, or UL-C/US certified to UL1598 standards. Rated IP20 for use in dry, indoor locations, or IP23 for use in dry to wet locations, indoor and outdoor.

The Consultants Europe (CE) listing is available upon request.



Sign 24

TMSLIGHTING

ESTABLISHED 1923

24

1

2

3

4

5

6

7

8

Project: _____
Type: _____
Quantity: _____

Notes:

1 • Lamping

100IN: 100W INC (A-19)
17LED: 17W LED (supplied)
15LED: 15W LED (CRI 80)
19LED: 19W LED (CRI 80)
26CF: 26W CF (PL-T)
32CF: 32W CF (PL-T)
42CF: 42W CF (PL-T)
70MH: 70W MH (E-17)
100MH: 100W MH (E-17)

2 • LED CCT (color temp.)

---: None
30K: 3000K
35K: 3500K
40K: 4000K

3 • Voltage

120: 120V
277: 277V
347: 347V (CF and MH only)

4 • Ballast / Driver

---: None
WM: Wall mount (integral)
N1: Remote, indoor mount (NEMA 1)
N4: Remote, outdoor mount (NEMA 4)

5 • Finish

Specialty

BR: Brushed aluminum

Plated

AN: Anodized

Powder-coated

F05: White
F06: Clay brown
F08: Midnight blue
F09: Pewter
F10: Fire red
F13: Forest green
F14: Sunshine yellow
F15: Matte black
F16: Gloss black
F18: Flat aluminum
F19: Mirror silver
F21: Architectural bronze
F24: Melted platinum (textured)
F25: Melted gold (textured)
F26: Melted copper
F31: Silver metallic
F32: Bronze metallic
F33: Pyrite bronze
F34: Burnt orange
RAL: RAL custom color (specify)

6 • Dimming

---: None
DIML: LED dimming

7 • Emergency

---: None
EM: Integral LED or CF
EMC: Integral LED or CF with cold pack
EMR: Remote LED or CF
EMCR: Remote LED or CF with cold pack

8 • Wire Guard

---: None
W10: Wire guard - 10"

Note: Some options may not be compatible with others. To ensure compatibility between options, go to tmslighting.com, on the "details" page of this luminaire, and use the configuration tool.



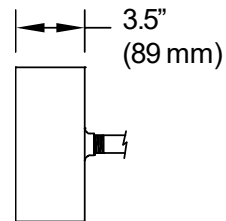
Sign 24

TMSLIGHTING

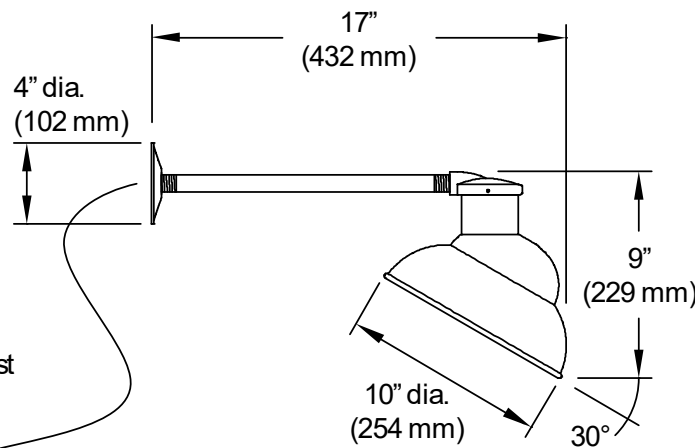
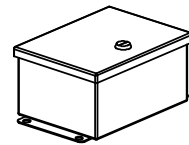
ESTABLISHED 1923

Dimensions

LED driver or CF/MH
wall mount ballast



LED driver or CF/MH
remote mount ballast



Custom

TMS Lighting can customize this and many of our standard fixtures. The dimensions, lamp types, enclosure and colors could be modified to suit your lighting and architectural requirements. Contact your local representative for more details: <http://tmslighting.com/info/agents>

Specifications are subject to change without notice.

TMS Lighting Inc.
247A Summerlea Road,
Brampton, Ontario,
Canada. L6T 4E1
Web Site: tmslighting.com

North America: (905) 793-1174
Toll-free: (866) 793-1174
Fax: (905) 793-1175

UK & Europe: 44-1474-250-654