

IKSSL
ILLUMINATION

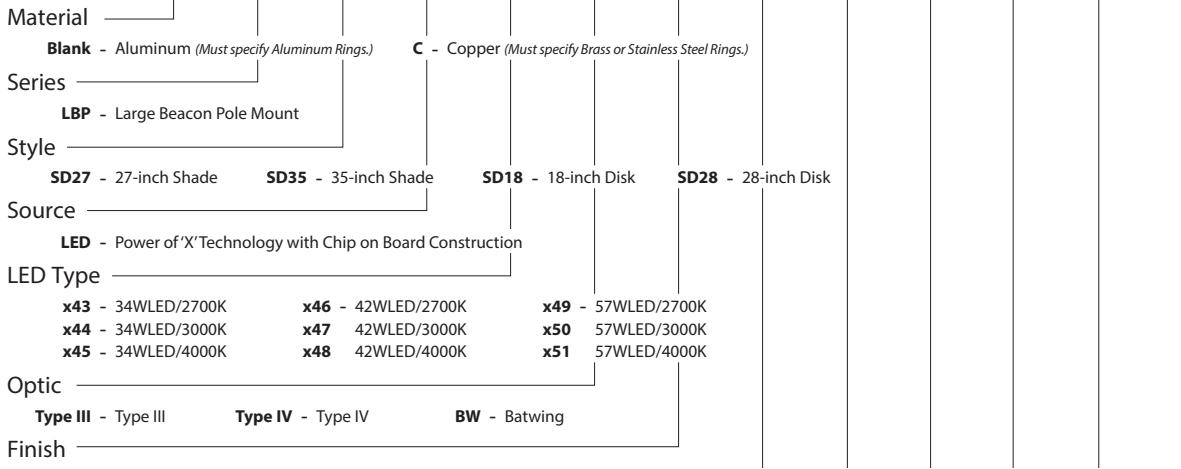
THE POWER OF



LARGE BEACON POLE MOUNT (LBP)

PROJECT:	
TYPE:	
CATALOG NUMBER:	LBP LED MT
SOURCE:	LED - Power of 'X' Technology
NOTES:	

CATALOG NUMBER LOGIC



- NAT** - Natural*
- BP** - Brown Patina*
- GP** - Green Patina*
- NIC** - Nickel Plate*
- BZW** - Bronze Wrinkle

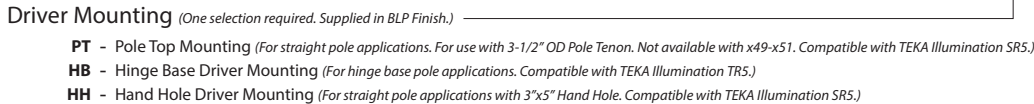
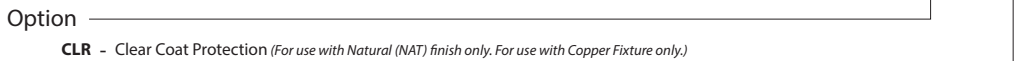
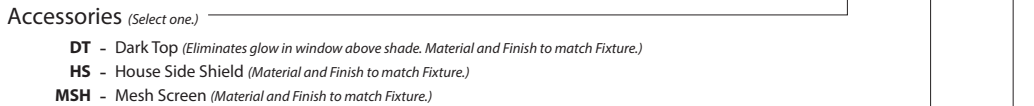
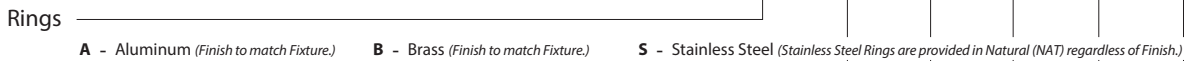
*See Powder Coat Finish Chart to the right for additional choices.
*Not available with Aluminum.
For Aluminum fixtures, specify Standard or Premium Powder Coat.*

Powder Coat Standard Finish

Powder Coat Color	Satin	Wrinkle
Bronze	BZP	BZW
Black	BLP	BLW
White (Gloss)	WHP	WHW
Aluminum	SAP	—
Verde	—	VER

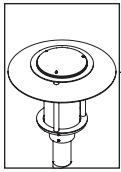
Powder Coat Premium Finish

ABP - Antique Brass Powder	CMG - Cascade Mountain Granite	RMG - Rocky Mountain Granite
AMG - Aleutian Mountain Granite	CRI - Cracked Ice	SDS - Sonoran Desert Sandstone
AQW - Antique White	CRM - Cream	SMG - Sierra Mountain Granite
BCM - Black Chrome	HUG - Hunter Green	TXF - Textured Forest
BGE - Beige	MDS - Mojave Desert Sandstone	WCP - Weathered Copper
BPP - Brown Patina Powder	NBP - Natural Brass Powder	WIR - Weathered Iron
CAP - Clear Anodized Powder	OCF - Old Copper	<i>Also available in RAL Finishes See submittal SUB-1439-00</i>



TEKA ILLUMINATION	40429 Brickyard Drive • Madera, CA 93636 • USA 559.438.5800 • FAX 559.438.5900 www.tekaillumination.com • info@tekaillumination.com	SUBMITTAL DATE	DRAWING NUMBER
		04-04-2018	SUB-2475-00

THIS DOCUMENT CONTAINS PROPRIETARY INFORMATION OF TEKA ILLUMINATION AND ITS RECEIPT OR POSSESSION DOES NOT CONVEY ANY RIGHTS TO REPRODUCE, DISCLOSE ITS CONTENTS, OR TO MANUFACTURE, USE OR SELL ANYTHING IT MAY DESCRIBE. REPRODUCTION, DISCLOSURE OR USE WITHOUT SPECIFIC WRITTEN AUTHORIZATION OF TEKA ILLUMINATION IS STRICTLY FORBIDDEN.



BKSSL
BUILT BY STATE LIGHTING



LARGE BEACON POLE MOUNT (LBP)

PROJECT:	
TYPE:	

LM79 DATA

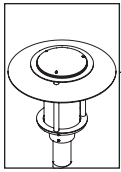
TEKA LED #	Optic	LUMENS (Delivered)	CCT	INPUT WATTS (Typ.)	CRI (Typ.)
x43	BW	3330	2700	34	80
x44	BW	3451	3000	34	80
x45	BW	3621	4000	34	80
x46	BW	4806	2700	42	80
x47	BW	5072	3000	42	80
x48	BW	5151	4000	42	80
x49	BW	6109	2700	57	80
x50	BW	6854	3000	57	80
x51	BW	6960	4000	57	80
x43	TYPE III	3417	2700	34	80
x44	TYPE III	3542	3000	34	80
x45	TYPE III	3716	4000	34	80
x43	TYPE IV	3457	2700	34	80
x44	TYPE IV	3583	3000	34	80
x45	TYPE IV	3760	4000	34	80

L70 DATA

Minimum Rated Life (hrs.) - 70% of initial lumens (L70)
50,000
50,000
50,000
50,000
50,000
50,000
50,000
50,000
50,000
50,000
50,000
50,000
50,000
50,000
50,000
50,000

DRIVER DATA

Type	AC Input Range	Frequency Hz	Power Factor At Full Load (Efficiency)	THD	InRush Current	Operating Current	Operation Ambient Temperature	Dimmer Type	Dimmer Range
D34	120-277Vac	50/60	>0.9	<20%	30mA ² s @ 277V	1050mA	-30° C ~ 50°C	0-10	1-100%
D42	120-277Vac	50/60	>0.9	<20%	30mA ² s @ 277V	1050mA	-30° C ~ 50°C	0-10	1-100%
D57	100-277Vac	50/60	>0.90	<20%	50A max @ 277V	1400mA	-30°C to +85°C	0-10	10-100%



BKSSL
BROADBAND KINETIC SOLID STATE LIGHTING

THE POWER OF

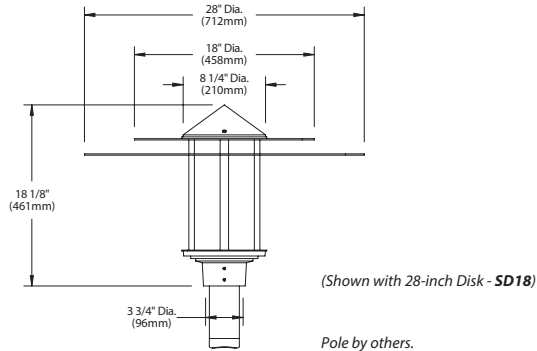
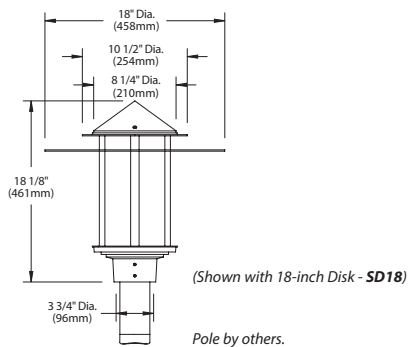
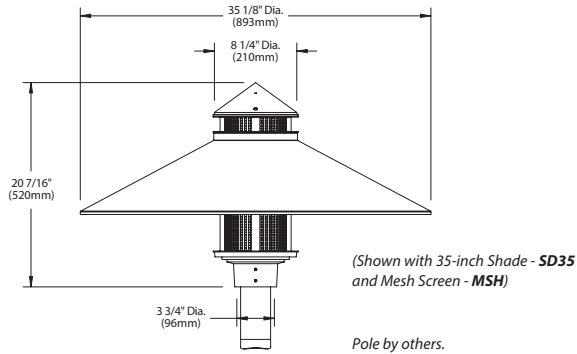
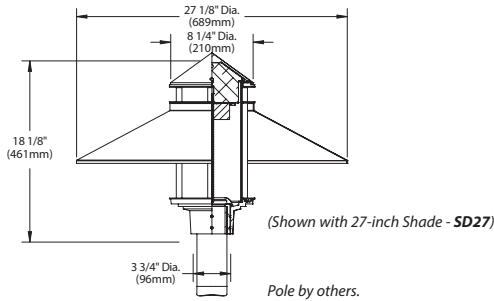


LARGE BEACON POLE MOUNT (LBP)

PROJECT:

TYPE:

SIDE VIEW



All dimensions indicated on this submittal are nominal. Contact Technical Sales if you require more stringent specifications.

SPECIFICATIONS

GreenSource Initiative™

Metal and packaging components are made from recycled materials. Manufactured using renewable solar energy, produced onsite. Returnable to manufacturer at end of life to ensure cradle-to-cradle handling. Packaging contains no chlorofluorocarbons (CFC's). Use of this product may qualify for GreenSource efficacy and recycling rebate(s). Consult www.tekaillumination.com/greensource for program requirements.

Materials

Copper: Constructed from copper and brass. These enduring metals are inherently corrosion resistant.

Aluminum: Constructed from Copper-free Aluminum (Type 6061-T6).

Installation

Slip fits 3 1/2" OD tenon or pole. (Specify Separately).

Shade

Hand spun from high purity ASTM 3003-H14 Aluminum or ASTM C101 Copper. Specify 27" or 35".

Disk

Made from 6061-T6 Aluminum or Copper. Specify 18" or 27".

Lens

6" dia. Clear acrylic lens.

Body

Cast 360 Aluminum or Cast C836 Red Brass. With High Temperature Gasket provides water tight seal to Lens Compartment.

Rings

6061-T6 Aluminum Ring, 360 Brass Ring or 304 Stainless Steel Ring (Specify Separately).

BKSSL®

Integrated solid state system with 'X' technology is scalable for field upgrade. Modular design with electrical quick disconnects permit field maintenance. Minimum 50,000 hour rated life at 70% of initial lumens (L70). BKSSL® technology provides long life, significant energy reduction and exceptional thermal management.

Color Management

Chip on board technology delivers natural white light. Exact color point conformity exceeds ANSI C78.377 standard. Module exceeds 80 CRI (RA>80, R9.16). Color point uniformity 2 SDCM color control for 2700K-4000K CCT.

Optics

Batwing Optics command control of light rays exiting luminaire for an even illumination with superior spacing criteria. Delivers wide-angle distribution while limiting undesired light in the glare zone above 60 degrees, creating a balance between wide spacing and visual comfort. The result is a more evenly illuminated area space and a huge energy savings by using fewer fixtures.

The type III distribution is meant for roadway lighting, general parking areas and other areas where a larger area of lighting is required. Type III lighting needs to be placed to the side of the area, allowing the light to project outward and fill the area. This produces a filling light flow.

The type IV distribution produces a semicircular light meant for mounting on the sides of buildings and walls. It's best for illuminating the perimeter of parking areas and businesses.

Driver (34-57W)

[1] 1.05A (D34, D42) or 1.4A (D57), Class A, constant current driver. 120-277VAC (nominal) primary input voltage. 50/60Hz. >0.90 Power Factor, <15.0A in-rush current, ≤20%THD (nominal at 120VAC full load). Output over-voltage, over-current, and short circuit protection with auto recovery. EMC: FCC47CFR Part 15 Class B compliant. Dimming driver for use with standard 0-10V dimmers and switch controls. D34 or D42- 1-100% range (Refer to driver electrical data). D57- 10-100% dimming range.

Wiring

Tefzel® coated wire, 18AWG, 600V, 150° C rated and certified to UL 1659 standard.

Hardware

Tamper-resistant, stainless steel hardware.

Finish

Copper and Brass: Natural (NAT): Copper and brass components are sand blasted to expose the porous metal surface. Over time, and with exposure to the elements, the metals will naturally 'weather' resulting in a unique patina.

Also available with hand-crafted metal finishes including brown patina (BP), green patina (GP), polish (POL), and nickel plate (NIC).

Aluminum, Copper and brass components are also available in powder coat finishes.

Optional ceramic clear coat protection (copper and brass components only) seals and protects underlying metals and protects against discoloration, fading, and wear. Highly impervious to chemicals, solvents, and graffiti. For use with natural (NAT) and polish (POL) finishes.

Aluminum: StarGuard®, our exclusive RoHs compliant, 15 stage chromate-free process cleans and conversion coats aluminum components prior to application of Class 'A' TGIC polyester powder coating.

Clear Coat Protection

Optional ceramic clear coating seals and protects underlying metals and protects against discoloration, fading, and wear. Highly impervious to chemicals, solvents, and graffiti. For use with natural (NAT) finish.

Warranty

5 year limited warranty.

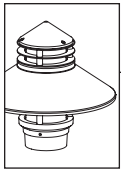
Listings

UL tested to IESNA LM-79. UL Listed. Certified to CAN/CSA/ANSI Standards. RoHs compliant. Suitable for indoor or outdoor use. Suitable for use in wet locations. Additionally suitable for installation within 4' of the ground. IP66 Rated. Made in USA.



Tefzel™ is trademark of The Chemours Company FC, LLC.

TEKA ILLUMINATION	40429 Brickyard Drive • Madera, CA 93636 • USA 559.438.5800 • FAX 559.438.5900 www.tekaillumination.com • info@tekaillumination.com	SUBMITTAL DATE	DRAWING NUMBER
		04-04-2018	SUB-2475-00



BKSSL
SOLID STATE LIGHTING

THE POWER OF



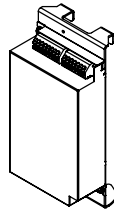
LARGE BEACON POLE MOUNT (LBP)

PROJECT:

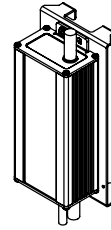
TYPE:

DRIVER MOUNTING OPTIONS

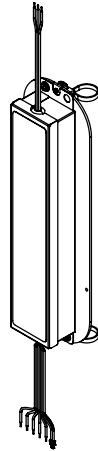
(Hand Hole Driver Mounting *HH*)



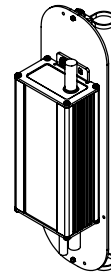
(Hand Hole Driver Mounting *HH*)



(Hinge Base Driver Mounting *HB*)



(Hinge Base Driver Mounting *HB*)



(Pole Top Mounting *PT*)

