

JOB NAME _____

CONTACT _____

ORDERING CODE _____



THETA4C LED Canopy Spot
Xicato

XICATO



S1 - MC



S3 - MC

DESCRIPTION

THETA4C is a performance spot fixture in a par30 cylinder form factor integrated with industry best LEDs up to 3130 lm. THETA4C has many options for most applications and carries the first 5 Year NO COLOR SHIFT AND FIXTURE WARRANTY.

HOUSING

Extruded aluminum housing with white, matte chrome or black finish

MOUNTING

- Canopy over a 3-1/2" to 4" recessed octagonal junction box for MP mounting option.

LISTINGS

- ETLus Listed to UL1598 (suitable for dry locations only)
- cETL Listed to CSA C22.2 #250.0 and #9.0
- Made in the USA - meets the requirements of the Buy American provision within the ARRA

LED INFO

- XICATO XTM: SDCM = 1x2 MacAdam Ellipse, Duv +/- 0.001, Lumen Maintenance: L₉₀ > 55,000 hrs

ORDERING CODES

SERIES	730	
APERTURE	4	4"
LED	XTM19 Xicato XTM 19mm	
DELIVERED LUMENS	16LM 1300 lm 20LM ² 1580 lm 30LM 2430 lm 38LM ¹ 3130 lm Standard Configuration: 3000K 83CRI	
CCCT	27K B27K ² 2700K 30K 2700K beauty V30K 3000K 35K 3000K vibrant 40K 3500K 400K 4000K	
CRI	83 ¹ 83 CRI 98 ² 98 CRI	
REFLECTOR	DA20 20° diffused DA40 40° diffused DA60 60° diffused SA20 20° specular SA40 40° specular SA60 60° specular	
SNOOT	S1 flush / lens (standard) S3 extended / lens CRO corona ring / lens	
VOLTAGE	120 UNV 120V 120V-277V	
DIMMING	ELV ⁵ 10% trailing edge dimming DIM10 ⁴ eldoLED flicker free 0-10V dimming to 1% DIM10Z ⁴ eldoLED flicker free 0-10V dimming to 0%	
FINISH	BK black WH white MC matte chrome	
MOUNTING OPTIONS	MP monopoint canopy	
STEM LENGTH	5 ⁵ 5" stem 28 ^{3,5} 28" stem 48 ³ 48" stem 60 ³ 60" stem 72 ³ 72" stem 96 ³ 96" stem 120 ³ 120" stem	

ORDERING CODE _____

Follow the steps to specify your fixture, example:

730 - 4 - XTM19 - 16LM - 27K - 83 - SA20 - S3 - 120 - ELV - MC - MP - 28

XTM19 (LED)	POWER	
	W (83 CRI)	W (98 CRI)
1300	16	19
1580	20	26
2430	30	41
3130	36	N/A

Power Factor ≥ 0.9

NOTES

1. 38LM available only in 83 CRI.
2. B27K Beauty Series is only available for 20LM. Choose 98 CRI (actual 93 CRI).
3. Field cuttable to specific length; length may be specified in 1" increments at additional charge.
4. DIM10 and DIM10Z only available in UNV voltage & stem lengths of 48, 60, 72, 96 and 120.
5. Stem lengths of 5 and 28 only available for ELV.

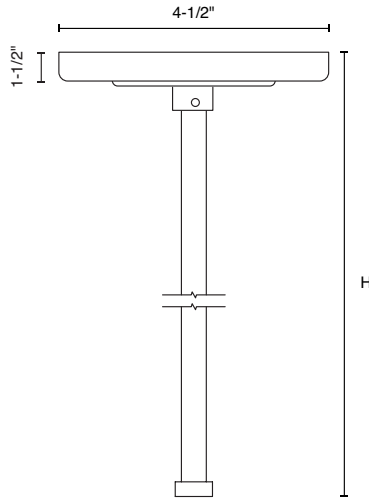
MOUNTING OPTIONS

Mounting Options

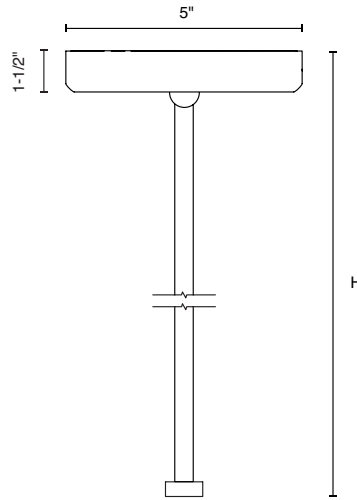
MP monopoint canopy

H

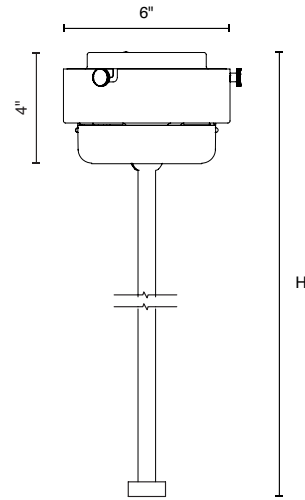
- 5 5" stem
- 28 28" stem (field adjustable to 6")
- 48 48" stem (field adjustable to 6")
- 60 60" stem (field adjustable to 6")
- 72 72" stem (field adjustable to 6")
- 96 96" stem (field adjustable to 54")
- 120 120" stem (field adjustable to 66")



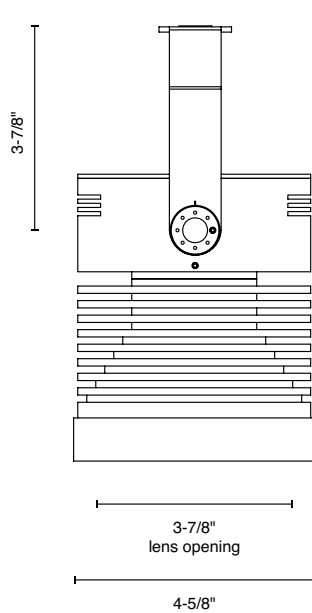
ELV CANOPY
STEM LENGTHS OF 5 AND 28



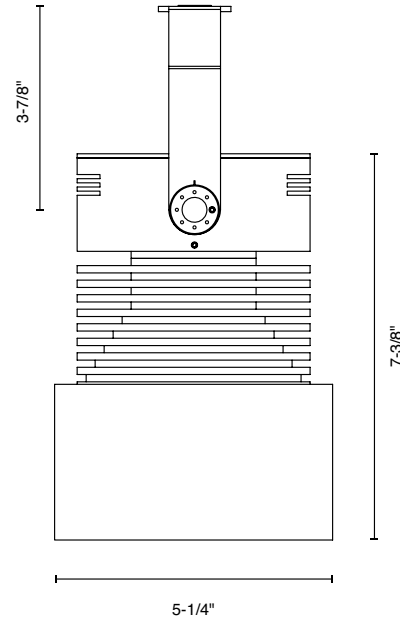
ELV CANOPY
STEM LENGTHS OF 48 THRU 120



DIM10/DIM10Z CANOPY
STEM LENGTHS OF 48 THRU 120



S1



S3

SNOOT



S1 flush



S3 extended

ACCESSORIES

- 900331 Diffuser lens
- 900332 Frosted lens
- 900330 Linear lens



900331



900332



900330