

Project Name:

Location:

Specifier:

Rep Agency:

Fixture Type:

Product Code:

# KLIK LEDstream ECO 37 Patented

## Description

Low profile small-aperture linear luminaire with highly diffuse lens and 2-Step binning of LEDs for exacting visual requirements. Available in incremental lengths of 1", with field-joints for continuous runs. The LEDstream ECO 37 is perfect for custom luminaire applications.

## Housing

Spec-grade aluminum extrusion in multiple finishes with machined endcaps yield an attractive finished appearance and long product life.

Clear Anodized

Powder Coat:

- Black satin
- White satin
- Silver satin
- Black texture

Consult factory for additional finish options

## Mounting

Fixtures ship as finished units with all mounting hardware, eliminating on-site fixture assembly to reduce installation time.

Surface mount bracket (LSECO37)- Mount directly to surface via tethered mount clips  
 Recessed Bracket Mount (LSECO37REC)- Recess in hollow wall board via tethered spring clips.

Continuous runs require use of provided join plates.

## Weight/Pack Size

0.85kg/m  
 70mm x 70mm x (L + 200mm)

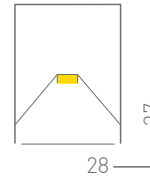
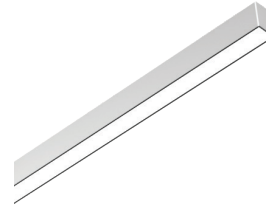
## Electrical/LED Driver

- Input Voltage: 120-277VAC (+/- 10%)
- Operating Temp: -25C to +40C
- Efficiency: 87%
- Driver: Must use provided Class II Driver
- Control: Non Dim, DALI, 0-10V
- Enclosure: NEMA2 wiring box with knockouts

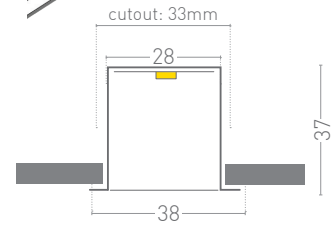
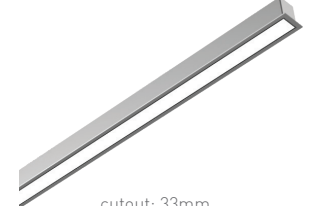
## Listings

- ETL listed, UL153
- cETL listed, CSA 22.2
- CE rated

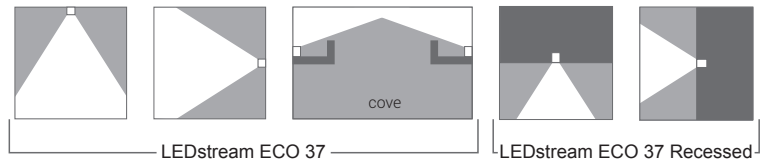
LEDstream ECO 37



LEDstream ECO 37 Recessed



## Distribution



**Product Codes** Follow the steps to specify your fixture. Enter Product Code in field at top of page. Example: **LSECO37SUR\_30KSTD500ANONON**

Fixture Type	Size	Mounting	Nominal Length (_____mm)	Color	Output (lm/m)	Finish	Control	Miters
LSECO LEDstream ECO	37 37mm	REC Recessed SUR Surface BRK Brkt Mount	MIN 0315 315mm (1') <i>Note: Fixtures longer than 2900mm (9.5') will have join</i>	27KSTD 2700K	500	ANO Anodized Clear	NON Non Dim	MITV Vertical Miters MITH Horizontal Miters MITC Custom Miters <i>Note: Drawings required for miters - see last page</i>
				30KSTD 3000K	1000	PCB Powder Coat Black	DAL Dali	
				30KCRI 3000K HI CRI	1500	PCS Powder Coat Silver	0-10 0-10V Dim	
				30KRGB 3000K RGBW	2250	PCW Powder Coat White	DMX DMX	
				35KSTD 3500K		ONX Powder Coat Black Texture	<i>Note: DMX Available in RGBW Only</i>	
				40KSTD 4000K		CUS Custom Color		
40KCRI 4000K HI CRI		<i>Note: Consult with Factory for Custom Colors</i>						
40KRGB 4000K RGBW								

Project Name:

Location:

Specifier:

Rep Agency:

Fixture Type:

Product Code:

### LED Performance

LED: Multiple LED offerings, dependent upon color and output  
 CCT: 2700, 3000, 3500, 4000 (others available)  
 CRI: 80-85  
 Life: 80% at 50k hrs and 85° C  
 Binning: 2 MacAdam Steps; Cross-binned for color consistency  
 Warranty: 5 Year Warranty

### KLIK LED® LEDSTREAM



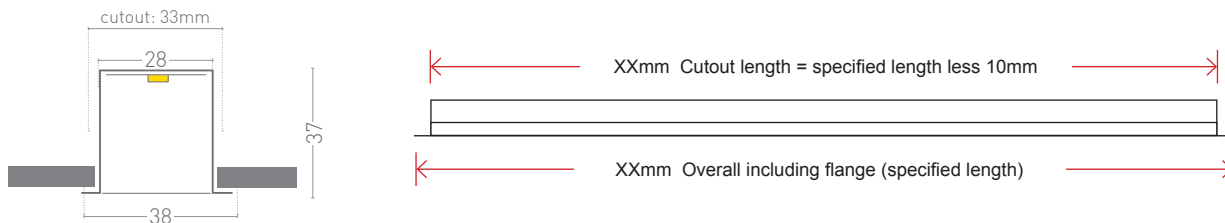
DIRECT	3000K				4000K				RGBW - 3000K				RGBW - 4000K			
Color <sup>2</sup>									RGB <sup>3</sup>	White	White	White	RGB <sup>3</sup>	White	White	White
LED Lumen/m <sup>1</sup>	500	1000 <sup>4</sup>	1500	2250	500	1000 <sup>4</sup>	1500	2250	500	1000	1500	2250	500	1000	1500	2250
Standard CRI (Ra) <sup>5</sup>	>80	>80	>80	>80	>80	>80	>80	>80		>80	>80	>80		>80	>80	>80
LED Watts/m	4	8	11	18 <sup>5</sup>	4	8	11	17 <sup>5</sup>	15	8	11	18	15	8	11	17
High CRI (Ra) <sup>4</sup>	98	98	98		98	98	98									
CRI R9 (R9)	80	80	80		80	80	80									
LED Watts/m	6	11	16		5	10	15									
Control	Non Dim · DALI · 0-10V · DMX (DMX = RGBW only)												(remote to luminaire - Does not fit through cut-out)			
Optics	LEDoptek															
Luminaire Length	Custom lengths in 1mm increments with fully illuminated diffuser; max 2.8m in single unit															
LEDS	Cree · LG Innotek · Nichia · Philips Lumileds															

1. All values shown are LED lumens and watts, see photometric files for system lumens and watts. 2. 2700K - 5000K available on request. 3. Lumen/m are calculated when all

### Accessories

Custom angled connectors  
 RGB and RGB/W color changing LEDs  
 Others Available

### Cutout Detail for Recessed Units



Project Name:

Location:

Specifier:

Rep Agency:

Fixture Type:

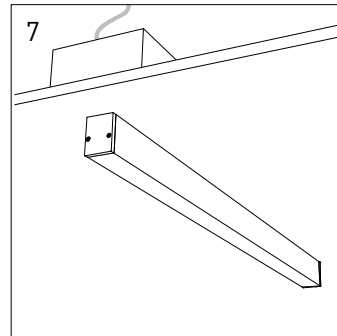
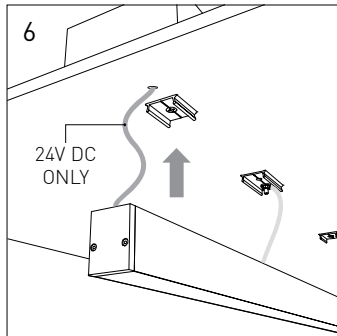
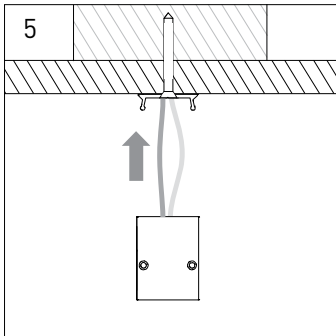
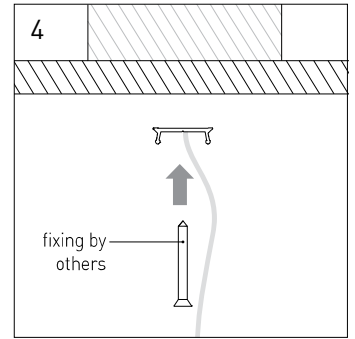
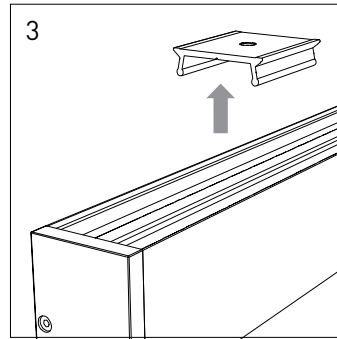
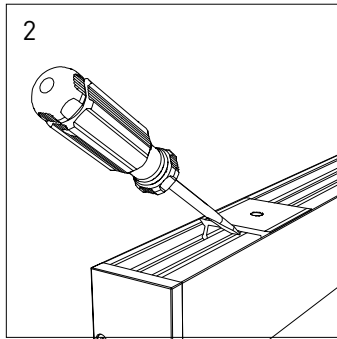
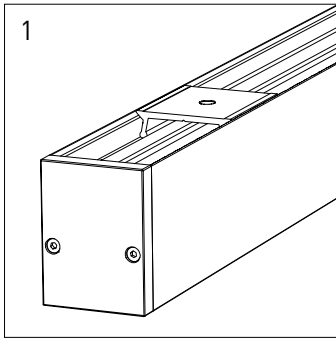
Product Code:

**Installation Instructions** *Additional instructions may apply, consult factory.*



**Instruction Sheet**  
LEDstream Eco 37 · Mounting · Surface

**Dimensions**  
w 28 · h 37  
**Weight**  
0.85kg/m



Project Name:

Location:

Specifier:

Rep Agency:

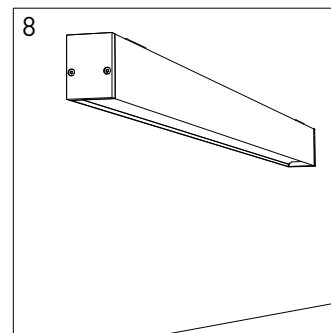
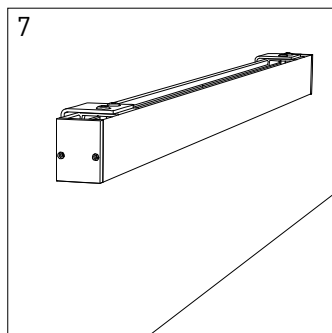
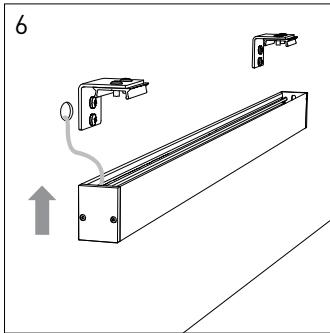
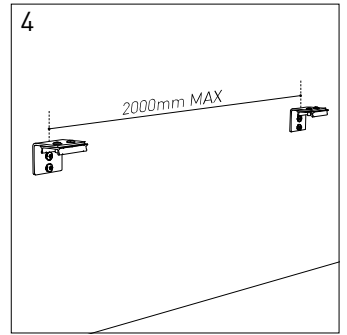
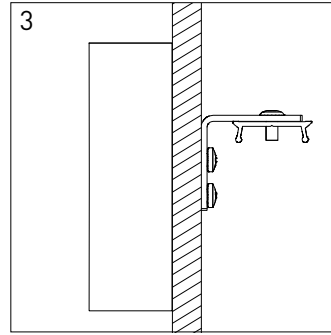
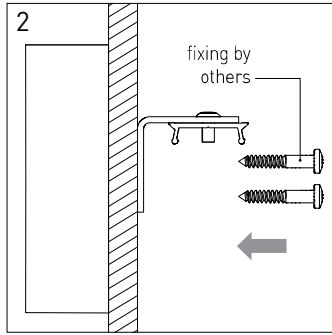
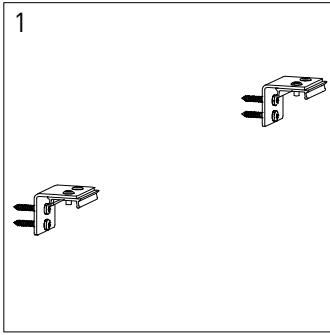
Fixture Type:

Product Code:

**Installation Instructions** *Additional instructions may apply, consult factory.*

**Instruction Sheet**  
LEDstream Eco 37 · Mounting · Wall Bracket

**Dimensions**  
w 28 · h 37  
**Weight**  
0.85kg/m



Project Name:

Location:

Specifier:

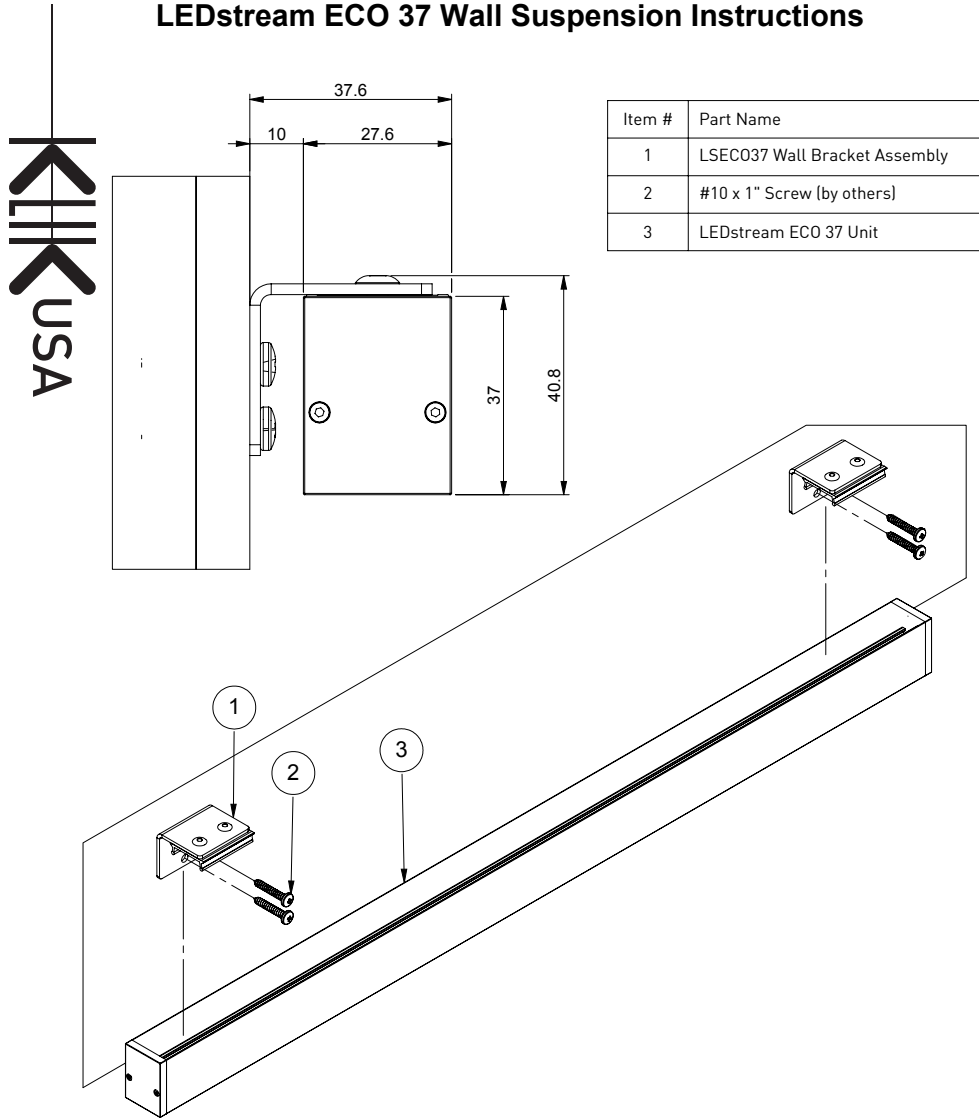
Rep Agency:

Fixture Type:

Product Code:

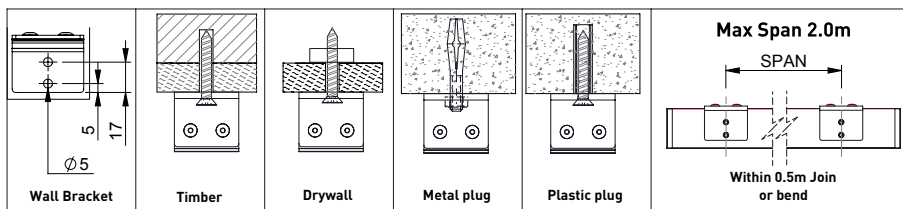
**Installation Instructions** Additional instructions may apply, consult factory.

**LEDstream ECO 37 Wall Suspension Instructions**



**IMPORTANT NOTES**

- Using appropriate fasteners suitable to the mounting surface is the responsibility of the installer.
- Units should be evenly suspended to avoid over-loading of suspension points.
- If the external flexible cable or cord of this luminaire is damaged, it shall be exclusively replaced by the manufacturer or licensed electrical contractor in order to avoid a hazard.



32389-1-A.1

Project Name:

Location:

Specifier:

Rep Agency:

Fixture Type:

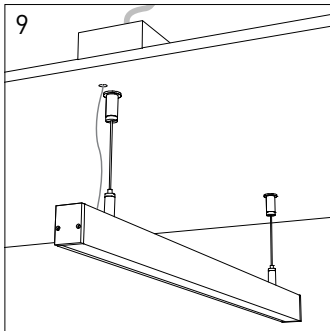
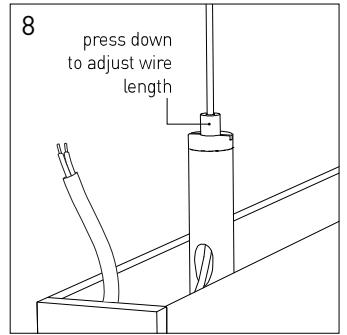
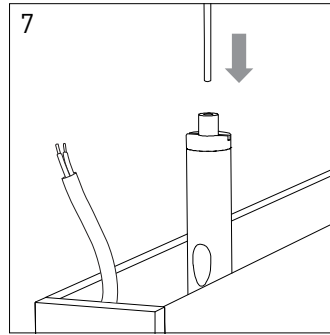
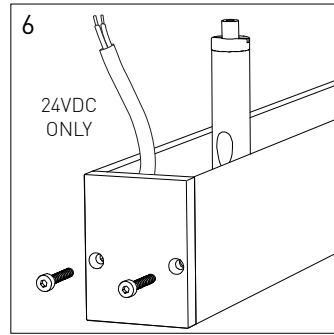
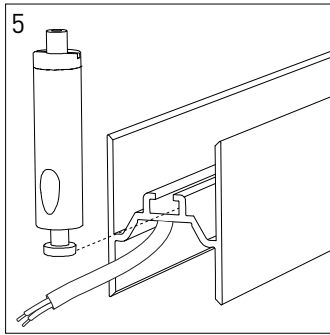
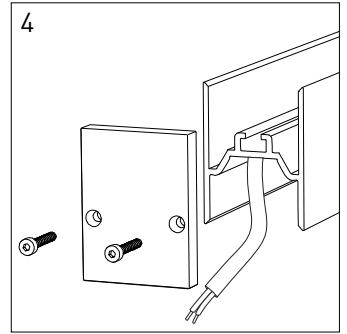
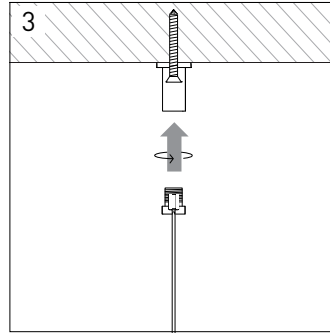
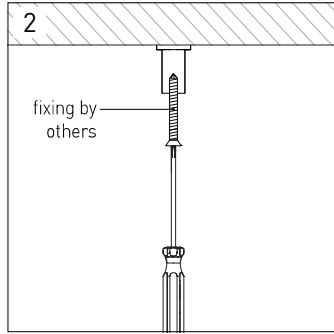
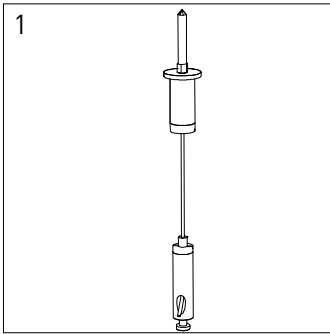
Product Code:

**Installation Instructions** Additional instructions may apply, consult factory.



**Instruction Sheet**  
LEDstream Eco 37 · Mounting · Wire

**Dimensions**  
w 28 · h 37  
**Weight**  
0.85kg/m



The light source contained in this luminaire shall only be replaced by the manufacturer or the service agent or a similar qualified person.

Project Name:

Location:

Specifier:

Rep Agency:

Fixture Type:

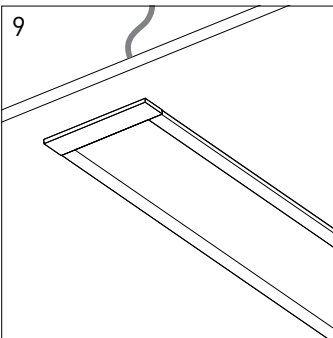
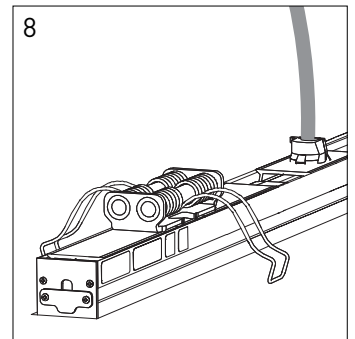
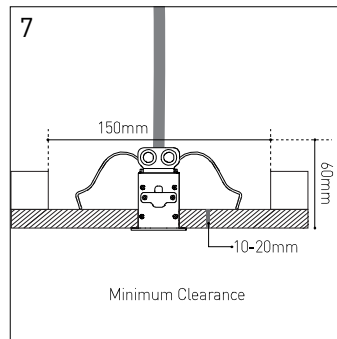
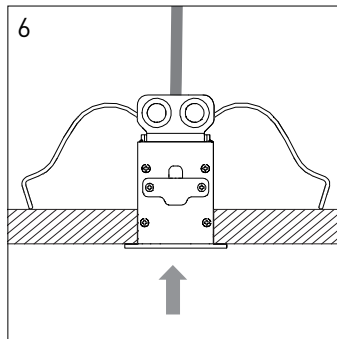
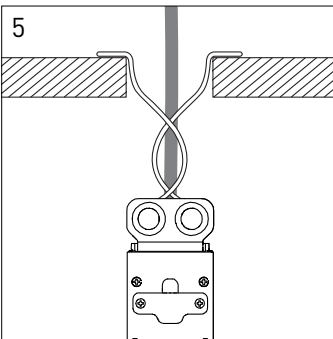
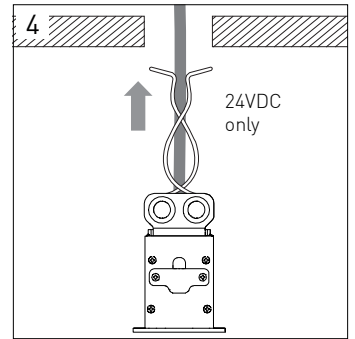
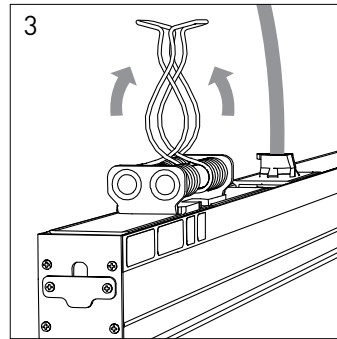
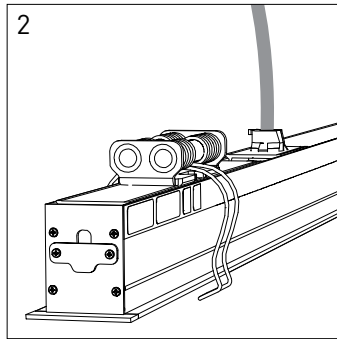
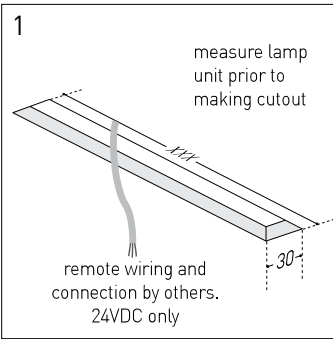
Product Code:

**Installation Instructions** Additional instructions may apply, consult factory.



**Instruction Sheet**  
LEDstream Eco 37 Recessed · Mounting · Spring

**Dimensions**  
w 38 · h 37  
**Weight**  
0.85kg/m



The light source contained in this luminaire shall only be replaced by the manufacturer or the service agent or a similar qualified person.

Project Name:

Location:

Specifier:

Rep Agency:

Fixture Type:

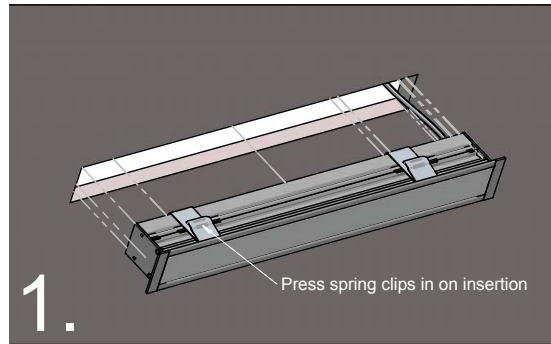
Product Code:

**Installation Instructions** *Additional instructions may apply, consult factory.*

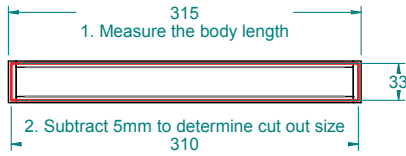
## LEDSTREAM ECO 37 Recessed 13 MM Gyprock Installation Instructions

Patented  
Revised 04.27.2019

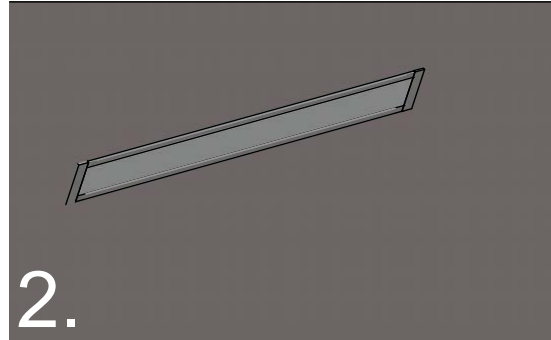
For constricted plenum installations



1. Determine position of fitting, cut out slot for lamp unit. Connect 24V wiring and push into place.



Cut out size calculation.



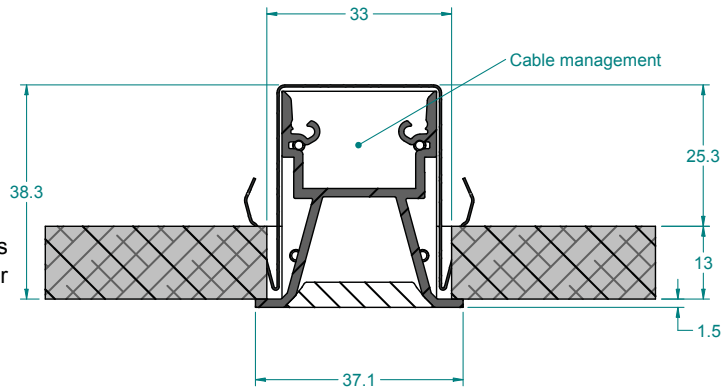
2. Installed.

### Important

Fixing Surface must be flat and free of any distortion.

Maximum distance between fixings is 900mm and 100mm from the ends or corners.

Using appropriate fasteners to suit the mounting surface is the responsibility of the installer.





Project Name:

Location:

Specifier:

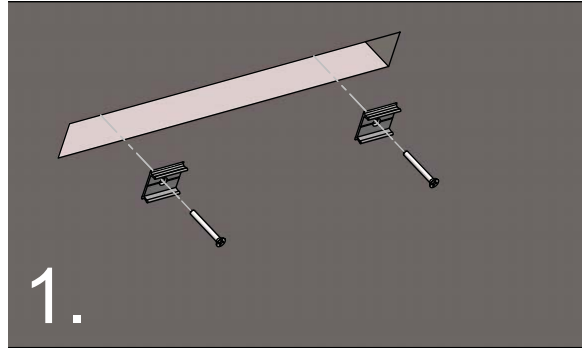
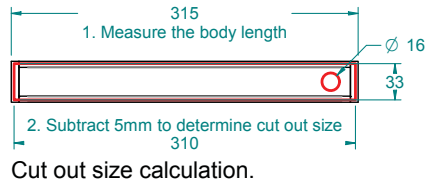
Rep Agency:

Fixture Type:

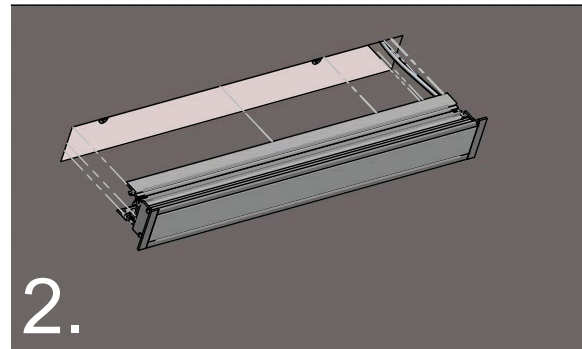
Product Code:

## LEDSTREAM ECO 37 Recessed 38 MM Deep Slot Installation Instructions

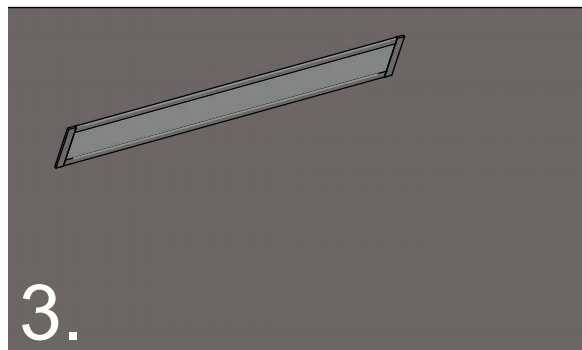
Patented  
Revised 10.27.2016



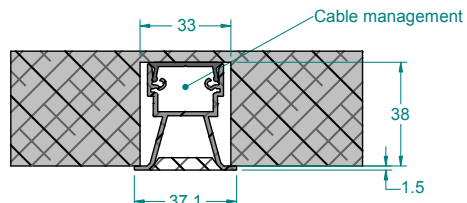
Determine position of fitting, prepare 16mm deep slot for lamp unit. Drill 16mmØ hole for wiring at end of slot.



Connect 24V wiring and push lamp unit into place.



Installed.



### Important

Fixing Surface must be flat and free of any distortion.

Maximum distance between fixings is 900mm and 100mm from the ends or corners.

Using appropriate fasteners to suit the mounting surface is the responsibility of the installer.

www.klikusa.com

sales@klikusa.com

Page: 1 of 1 - 10780-06-A

Project Name:

Location:

Specifier:

Rep Agency:

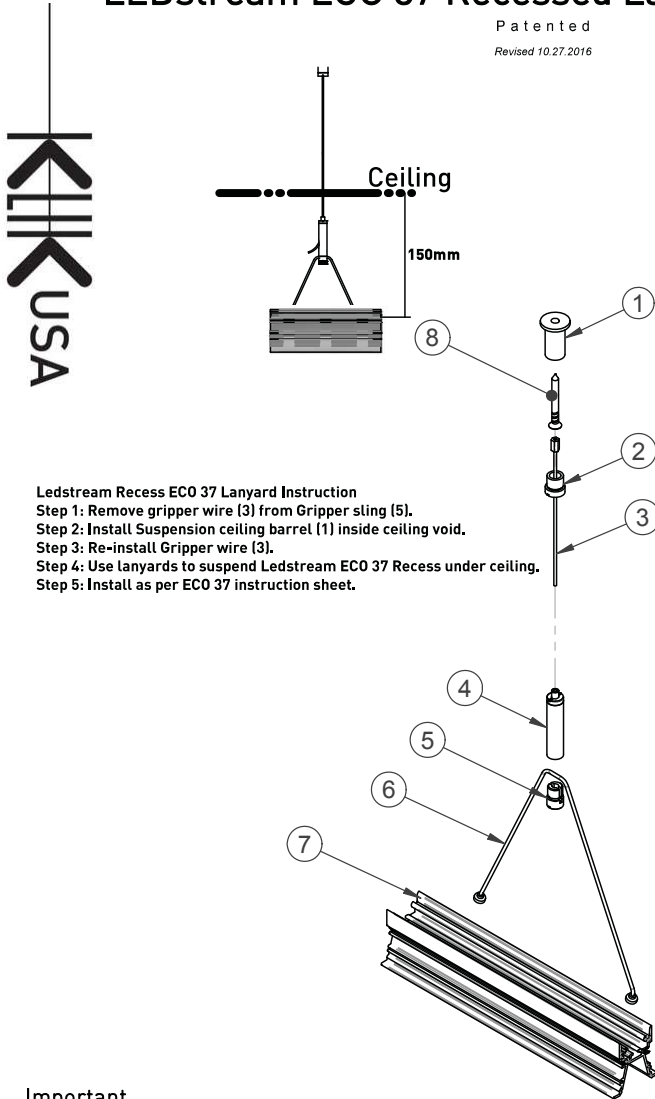
Fixture Type:

Product Code:

**Installation Instructions** Additional instructions may apply, consult factory.

## LEDstream ECO 37 Recessed Lanyard Instruction

Patented  
Revised 10.27.2016



Item #	Title
1	Suspension Ceiling Barrel
2	Suspension Ceiling Barrel Cap
3	Gripper Wire 0.5m
4	Gripper Sling A
5	Gripper Sling B
6	Suspension Sling
7	Ledstream ECO 37 REC
8	Fastener

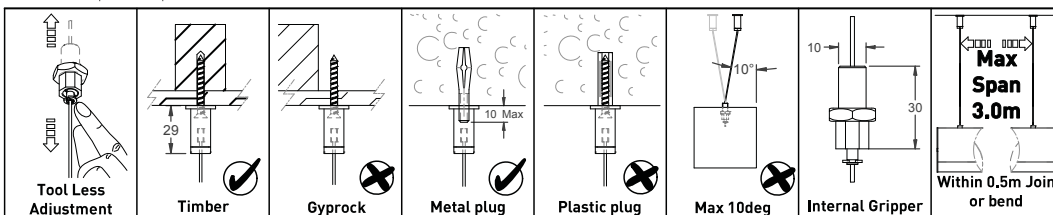
**Ledstream Recess ECO 37 Lanyard Instruction**

- Step 1: Remove gripper wire (3) from Gripper sling (5).
- Step 2: Install Suspension ceiling barrel (1) inside ceiling void.
- Step 3: Re-install Gripper wire (3).
- Step 4: Use lanyards to suspend Ledstream ECO 37 Recess under ceiling.
- Step 5: Install as per ECO 37 instruction sheet.

**Important**

- Using appropriate fasteners to suit the mounting surface is the responsibility of the installer.
  - Units should be evenly suspended to avoid the over-loading of suspension wires.
  - A maximum loading of 50kg is recommended on a single wire at any one time.
- Please ensure that excess suspension wire cannot contact live wires by either

- a) insulating excess wire
- b) cut off excess wire (if wire is cut, the fitting cannot be removed and refitted unless new suspension wire is used)
- c) If the external flexible cable or cord of this luminaire is damaged, it shall be exclusively replaced by the manufacturer or his service agent or similar qualified person in order to avoid a hazard



10970-01-A

Project Name:

Location:

Specifier:

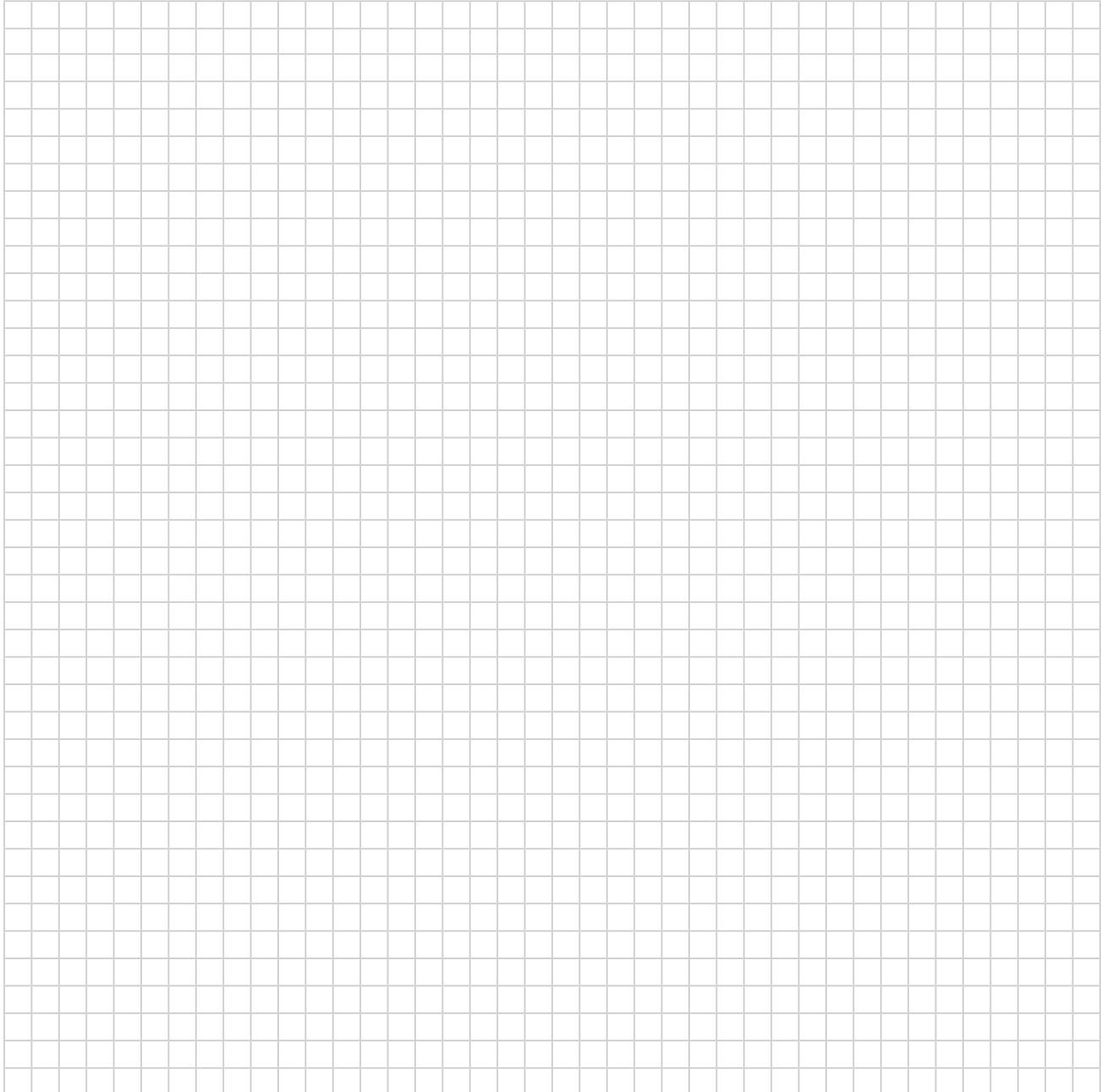
Rep Agency:

Fixture Type:

Product Code:

**Wiring Diagram**

Sketch plan view of fixture installation for driver layout and circuit design



A measurement scale can be applied as necessary to reflect the size of your space

**Note Approximate Scale: 1 square = \_\_\_\_\_**

Project Name:

Location:

Specifier:

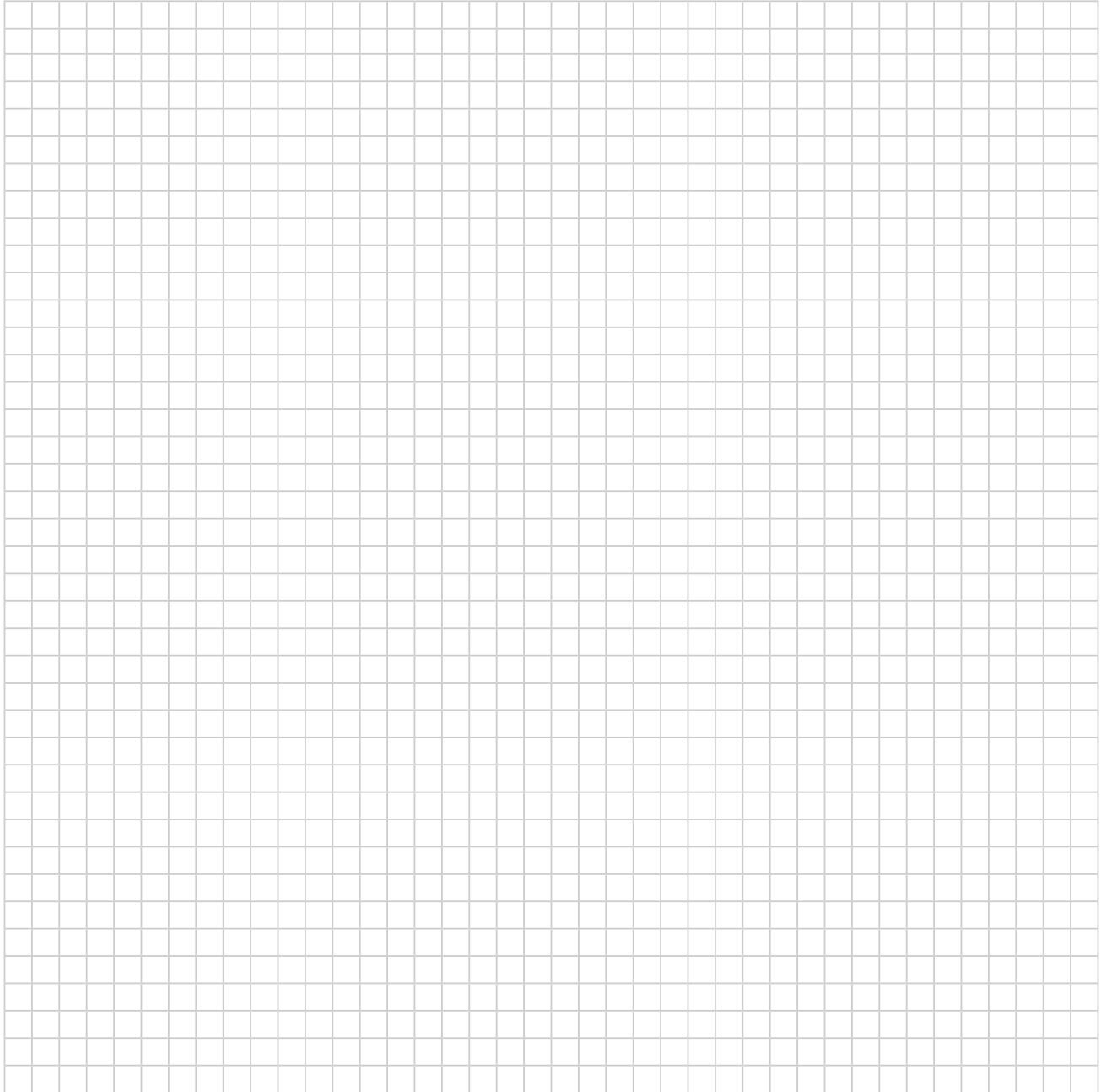
Rep Agency:

Fixture Type:

Product Code:

**Miter Diagram**

Sketch plan and elevation for custom miters



A measurement scale can be applied as necessary to reflect the size of your space

**Note Approximate Scale: 1 square = \_\_\_\_\_**