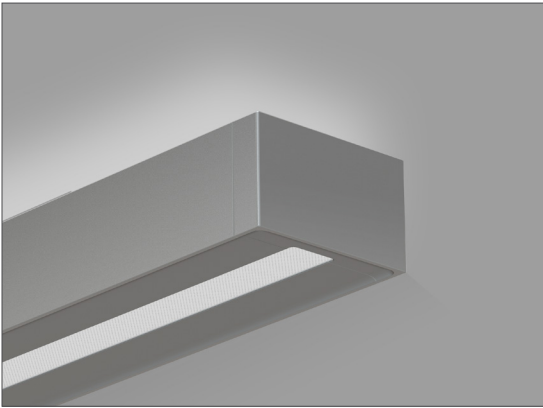


CANYON LED

WALL DIRECT/INDIRECT



LUMENWERX
WWW.LUMENWERX.COM



Shown with a PMO optics

DESCRIPTION

Canyon is a narrow linear LED luminaire with a distinctive 1.25" aperture running the length of the housing. Using advanced LED engines and optical control, Canyon provides wide spread uplight and a gentle glow of downlight from a 10/90 direct and indirect light distribution, delivering both efficient and comfortable illumination. Canyon is offered in a choice of color temperatures, together with comprehensive electrical and controls options. Please see additional specification sheets for Canyon with a fluorescent sources.

PROJECT: _____

TYPE: _____

NOTES: _____

ORDER GUIDE

up to 106 lm/W performance

| CANW | | LED | | | |
|--------------------|---|----------------------------|--------------------------|--|--|
| LUMINAIRE ID | OPTICS | LIGHT SOURCE | CRI | LUMEN PACKAGES | COLOR TEMP. |
| CANW - Canyon wall | PMO - Precision micro-prism Optic HLO - High-efficiency Lambertian Optic | LED - High performance LED | 80 - 80CRI 90 - 90CRI | 750 - Min. low output 750lm/ft 875 - Max. medium output 875lm/ft #### - Other required lm/ft | 27 - 2700K 30 - 3000K 35 - 3500K 40 - 4000K |

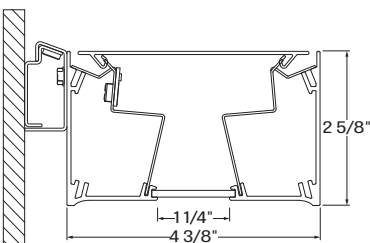
| 10/90 | | | | |
|---------------------------|---|---|---|--|
| LIGHT DISTRIBUTION | LUMINAIRE LENGTH | VOLTAGE | DRIVER | ELECTRICAL |
| 10/90 - 10% down - 90% up | #FT - Nominal length in feet Standard sections - 4', and 8' Continuous Run - for luminaires over 8' | 120 - 120V 277 - 277V UNV - 120V-277V 347 - 347V (not available with Lutron) | D1 - 1% 0-10V DA - DALI LTEA2W - Lutron 1% - 2 wire FP 120V LDE1 - Lutron Hi-lume 1% Eco LDE5 - Lutron 5% EcoSystem | 1 - 1 circuit + #EB - Emergency battery (min 4' fixture, except Lutron) + #EM - Emergency light circuit + #NL - Night light circuit + #GTD - Generator transfer device |

| DMB | | | |
|--------------------------------|--|--|--------------------------|
| MOUNTING | FINISH | CONTROLS | OPTIONS |
| DMB - Drywall mounting bracket | W - Matte white AL - Aluminum CF# - Custom finish specify RAL# | <u>STANDALONE CONTROLS</u> ¹ OMS - Onboard Occupancy ODS - Onboard Daylight OCS - Onboard Occupancy & Daylight <u>CONNECTED CONTROLS</u> CCS() - LU-Lutron, EN-Enlighted, OS-Osram, CR-Crestron. To specify see information on page 3 | FU - Fuse CU - Custom |

¹Available with 0-10V dimming, and 1 circuit options only

See page 2 for ordering code detailed information

CROSS SECTION



CANW - wall

OPTICS

PRECISION MICRO-PRISM OPTIC (PMO) - Angled LED array with matte aluminum reflectors and precision Micro-Prism Optic (PMO) shielding of 0.1" thick acrylic. Precisely formed pyramidal prisms with a 0.04" square base provide outstanding control of high-angle brightness. Canyon's widespread optic provides a batwing uplight distribution with peak intensity at 120° and a peak:zenith ratio of 2:1, permitting luminaire spacing ratio of 8:1 with even ceiling and task plane illuminance. The PMO optic provides 45° optical cut off for the downlight.

HIGH-EFFICIENCY LAMBERTIAN OPTIC (HLO) - Angled LED array with matte aluminum reflectors and High-Efficiency Lambertian Optic (HLO) shielding of diffusing 0.075" thick acrylic. HLO delivers up to 88% transmission and good source obscuration. Canyon's widespread optic provides a batwing uplight distribution with peak intensity at 120° and a peak:zenith of 2.5:1, permitting luminaire spacing ratio of 8:1 with even ceiling and task plane illuminance. Luminaire brightness is controlled by the flux-to-shielding area ratio.

LIGHT SOURCE - LED

Custom linear array of mid-flux LEDs are mounted directly to the housing for optimal thermal performance. Available in 2700K, 3000K, 3500K and 4000K with a minimum 80 CRI and an option for 90 CRI with elevated R9 value. Color consistency maintained to within 3 SDCM. LEDs operated at reduced drive current to optimize efficacy and lumen maintenance.

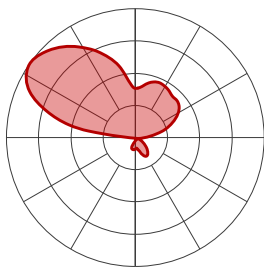
All LEDs have been tested in accordance with IESNA LM-80-08 and the results have shown L80 lumen maintenance greater than 60,000 hours. Absolute product photometry is measured and presented in accordance with IESNA LM-79, unless otherwise indicated.

PERFORMANCE PER 4' AT 4000K

10/90 - 10% down - 90% up

| LED output | Color Temp | Watts | Nominal Delivered Lumens | Efficacy LPW |
|---------------|------------|-------|--------------------------|--------------|
| low output | 4000K | 28.5 | 3000 | 106 |
| medium output | 4000K | 34 | 3500 | 103 |

LIGHT DISTRIBUTION

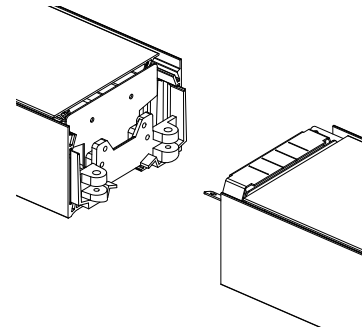


10/90 - 10% down - 90% up

LUMINAIRE LENGTH

Canyon is made up of standard 4 and 8 foot sections that may be joined together to create continuous run lengths. Nominal run length required must be noted in the product code. The minimum individual section available is 2 feet.

All individual sections are joined together onsite using the joiner kits provided. Lumenwerx offers joiner kits that are extremely simple to work with in the field and result in a fixture that appears virtually seamless with no light leak at any connection.



joining system for Canyon

ELECTRICAL

Factory-set, adjustable output current LED driver with universal (120-277VAC) input. Dimmable from 100% to 1% with 0-10V dimming control. Rated life (90% survivorship) of 50,000 hours at 50°C max. ambient (and 70°C max. case) temperature. At maximum driver load: Efficiency>84%, PF>0.9, THD<20%. Other specifiable options include Lutron Hi-Lume 1% (specify 2-wire, or Ecosystem Dim-to-Off), Lutron 5-Series (5% Ecosystem) and DALI protocol drivers. All of our standard 0-10V drivers are NEMA 410 compliant.

EMERGENCY

Factory installed long life high temperature recyclable Ni-Cad battery pack with test switch and charge indicator, minimum of 90 minutes operation, up to 875 lumens per 4ft (25°C) emergency lighting output. Recharge time of 24 hours.

MOUNTING OPTIONS

Fixtures may be horizontally mounted to the wall using a bracket. For long runs, a minimum of 6" from adjacent walls is required.

FINISH

Interior - 95%, reflective matte powder coated white paint

Exterior - matte white or aluminum powder coating. Custom finishes are also available.

CONTROLS

Lumenwerx offers several options for integrating occupancy and daylight harvesting controls in our luminaires.

STANDALONE CONTROLS

An integrated standalone sensor controls the luminaire in which it is installed. Depending on the length, more than one sensor may be necessary and may control the entire luminaire, or just a section of it. These controls operate independently. Unless otherwise agreed, location and functionality of the sensor within the luminaire are selected by Lumenwerx.

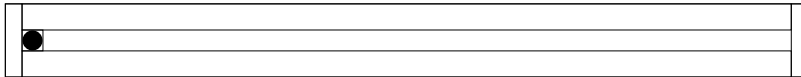
Three types are available:

OMS: An integral Passive InfraRed (PIR) sensor turns luminaires on and off automatically with field-adjustable time out period. No wall control is used.

Coverage pattern for large motion has a 12' diameter with the sensor mounted 8' above the floor; for small motion, the pattern has an 8' diameter. Typically, one sensor is required for every 10' of a continuous luminaire run.

ODS: An integral, daylight harvesting sensor with closed-loop operation dims the luminaire in which it is installed in order to compensate for available daylight. The sensor measures the combination of daylight and luminaire light reflected from horizontal surfaces below the luminaire. Initial onsite calibration is required via the use of provided remote control.

OCS: Both an occupancy and a daylight sensor are installed in the luminaire.



Location of an Onboard control

CONNECTED CONTROLS

With Connected Controls, sensors or nodes installed in the luminaire form part of a larger control system infrastructure from manufacturers such as: Lutron*, Enlighted, Osram ENCELIUM, Acuity nLight, Crestron and others. These connected controls allow for a scalable system providing features like occupancy and daylight control, manual control, scheduling and configuration of various zones and scenes. Energy reporting and system monitoring are also possible. Specific capabilities depend on the control system being used.

Lumenwerx installs the components (sensors, nodes, power packs, etc) which may be supplied to us by a third party, or procured directly by Lumenwerx, depending on the control system manufacturer.

Lumenwerx is solely responsible for the installation of specified components; the controls manufacturer is responsible for performance of the control system.

To indicate a Lumenwerx luminaire with Connected Controls, identify the specific onsite control system to be integrated into the luminaires using the ordering code.

Due to the diversity of components, you must contact controls@lumenwerx.com to assure complete compatibility with intended control system and to fully specify the luminaire.

Complete control specifications, sensor/node/power pack layout, and narrative for the control system are required for Lumenwerx to create shop drawings and submittals.

* Lumenwerx offers a Lutron Vive-Enabled fixture option using either the DFCSJ-OEM-OCC (OCS Option) or DFCSJ-OEM-RF (wireless only, no sensor)

Integral Fixture Modules and a DALI or EcoSystem LED driver based on customer dimming requirements.

Please contact our controls department at controls@lumenwerx.com for further assistance.

CONSTRUCTION

Housing - Extruded aluminum 0.075" nominal, matte white or aluminum powder coating. Custom finishes are also available.

End cap - Die cast aluminum (0.95" nominal)

Joiners - Male/female system made in die cast aluminum (0.95" nominal)

Interior brackets - Die formed cold rolled sheet steel 20 gauge thick

Reflectors - Flat rolled aluminum sheet 0.040" thick precisely die formed, 95% reflective matte white painted

WEIGHT

Canyon 4ft - 9.25bs - 4.2kg

Canyon 8ft - 17.84lbs - 8.1kg

Canyon 12ft - 26.43lbs - 12kg

CERTIFICATIONS

ETL - Rated for Indoor Dry/Damp locations.

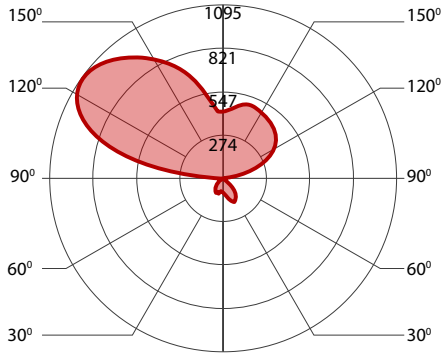
Conforms to UL Standard 1598 and certified to CAN/CSA Standard C22.2 No. 250.0.

WARRANTY

Lumenwerx provides a five-year limited warranty of electrical and mechanical performance of the luminaires, including the LED boards, drivers, and auxiliary electronics. Lumenwerx will repair or replace defective luminaires or components at our discretion, provided they have been installed and operated in accordance with our specifications. Other limitations apply, please refer to the full warranty on our website.

PERFORMANCE AT 10/90 - 10% down - 90%up

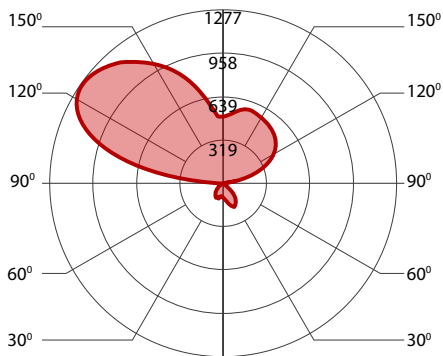
750 LUMEN AT 80CRI - LOW OUTPUT



PERFORMANCE PER 4'

| LED output | Color Temp | Watts | Nominal Delivered Lumens | Efficacy LPW |
|------------|------------|-------|--------------------------|--------------|
| low output | 2700K | 31 | 3000 | 97 |
| low output | 3000K | 30 | 3000 | 100 |
| low output | 3500K | 29 | 3000 | 103 |
| low output | 4000K | 28.5 | 3000 | 106 |

875 LUMEN AT 80CRI - MEDIUM OUTPUT



PERFORMANCE PER 4'

| LED output | Color Temp | Watts | Nominal Delivered Lumens | Efficacy LPW |
|---------------|------------|-------|--------------------------|--------------|
| medium output | 2700K | 36 | 3500 | 97 |
| medium output | 3000K | 36 | 3500 | 97 |
| medium output | 3500K | 35 | 3500 | 100 |
| medium output | 4000K | 34 | 3500 | 103 |