

VIA 1.5 & 2

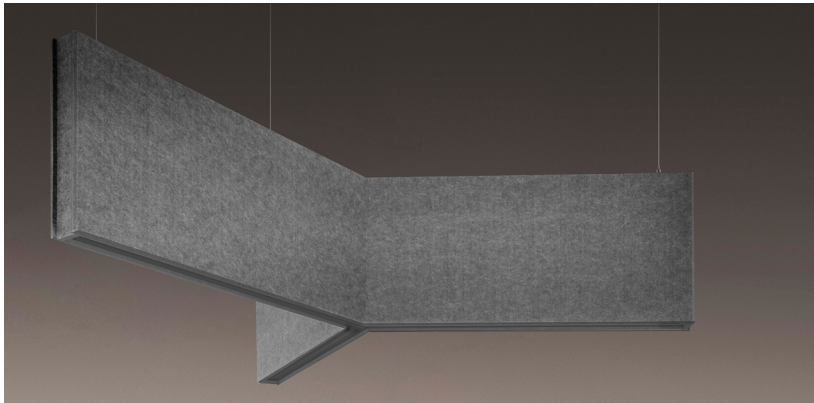
ACOUSTIX - SPOKE
BLANK



LUMENWERX

Project: _____

Type: _____



Via 1.5 Acoustix Blank Pendant Y Spoke 2 ft

DESCRIPTION

Via 1.5/Via 2 Acoustix Spoke Blank fixtures are unlit acoustic forms created to preserve the formal integrity and continuity of a lighting design. Detailed with a stylish regressed end cap, they are available in 29 PET felt colors (10 standard and 19 premium).

Order Guide

LUMINAIRE ID	LUMINAIRE HEIGHT	NON-POWERED MOUNTING
VIA1.5ACOBPY2 - Via 1.5 Acoustix Blank Pendant Y Spoke 2 ft VIA1.5ACOBPY3 - Via 1.5 Acoustix Blank Pendant Y Spoke 3 ft VIA1.5ACOBPX2 - Via 1.5 Acoustix Blank Pendant X Spoke 2 ft VIA2ACOBPY2 - Via 2 Acoustix Blank Pendant Y Spoke 2 ft VIA2ACOBPY3 - Via 2 Acoustix Blank Pendant Y Spoke 3 ft VIA2ACOBPX2 - Via 2 Acoustix Blank Pendant X Spoke 2 ft	8 - 8 inches 12 - 12 inches 16 - 16 inches	53WAC36 - 36" aircraft cable, white canopies (5" + 3" non-power) 55WSW18 - 18" white stem, white canopies (5" + 5" non-power)

FELT COLOR		OPTIONS																																	
<table border="0"> <tr> <td>STANDARD COLORS</td> <td>PREMIUM COLORS¹²</td> </tr> <tr> <td> <table border="0"> <tr> <td> FWN</td> <td> LVN</td> </tr> <tr> <td> FON</td> <td> LEN</td> </tr> <tr> <td> ION</td> <td> CYN</td> </tr> <tr> <td> TBN</td> <td> PMN</td> </tr> <tr> <td> MDN</td> <td> FGN</td> </tr> </table> </td> <td> <table border="0"> <tr> <td> PKN</td> <td> CDN</td> <td> IVN</td> <td> BHN</td> </tr> <tr> <td> OGN</td> <td> LCN</td> <td> SLN</td> <td> CFN</td> </tr> <tr> <td> LNN</td> <td> SYN</td> <td> CNN</td> <td> GRN</td> </tr> <tr> <td> LMN</td> <td> BLN</td> <td> GHN</td> <td> MON</td> </tr> <tr> <td> EGN</td> <td> NVN</td> <td> CLN</td> <td> ESN</td> </tr> </table> </td> </tr> </table>	STANDARD COLORS	PREMIUM COLORS¹²	<table border="0"> <tr> <td> FWN</td> <td> LVN</td> </tr> <tr> <td> FON</td> <td> LEN</td> </tr> <tr> <td> ION</td> <td> CYN</td> </tr> <tr> <td> TBN</td> <td> PMN</td> </tr> <tr> <td> MDN</td> <td> FGN</td> </tr> </table>	FWN	LVN	FON	LEN	ION	CYN	TBN	PMN	MDN	FGN	<table border="0"> <tr> <td> PKN</td> <td> CDN</td> <td> IVN</td> <td> BHN</td> </tr> <tr> <td> OGN</td> <td> LCN</td> <td> SLN</td> <td> CFN</td> </tr> <tr> <td> LNN</td> <td> SYN</td> <td> CNN</td> <td> GRN</td> </tr> <tr> <td> LMN</td> <td> BLN</td> <td> GHN</td> <td> MON</td> </tr> <tr> <td> EGN</td> <td> NVN</td> <td> CLN</td> <td> ESN</td> </tr> </table>	PKN	CDN	IVN	BHN	OGN	LCN	SLN	CFN	LNN	SYN	CNN	GRN	LMN	BLN	GHN	MON	EGN	NVN	CLN	ESN	<p>TB# - T-bar caddy clip, specify grid size TG# - Tegular caddy clip, specify grid size ST - Screw slots caddy clip NA - None</p>
STANDARD COLORS	PREMIUM COLORS¹²																																		
<table border="0"> <tr> <td> FWN</td> <td> LVN</td> </tr> <tr> <td> FON</td> <td> LEN</td> </tr> <tr> <td> ION</td> <td> CYN</td> </tr> <tr> <td> TBN</td> <td> PMN</td> </tr> <tr> <td> MDN</td> <td> FGN</td> </tr> </table>	FWN	LVN	FON	LEN	ION	CYN	TBN	PMN	MDN	FGN	<table border="0"> <tr> <td> PKN</td> <td> CDN</td> <td> IVN</td> <td> BHN</td> </tr> <tr> <td> OGN</td> <td> LCN</td> <td> SLN</td> <td> CFN</td> </tr> <tr> <td> LNN</td> <td> SYN</td> <td> CNN</td> <td> GRN</td> </tr> <tr> <td> LMN</td> <td> BLN</td> <td> GHN</td> <td> MON</td> </tr> <tr> <td> EGN</td> <td> NVN</td> <td> CLN</td> <td> ESN</td> </tr> </table>	PKN	CDN	IVN	BHN	OGN	LCN	SLN	CFN	LNN	SYN	CNN	GRN	LMN	BLN	GHN	MON	EGN	NVN	CLN	ESN				
FWN	LVN																																		
FON	LEN																																		
ION	CYN																																		
TBN	PMN																																		
MDN	FGN																																		
PKN	CDN	IVN	BHN																																
OGN	LCN	SLN	CFN																																
LNN	SYN	CNN	GRN																																
LMN	BLN	GHN	MON																																
EGN	NVN	CLN	ESN																																

¹ Please consult factory for more color options.
² Lead time may vary.

VIA 1.5 & 2

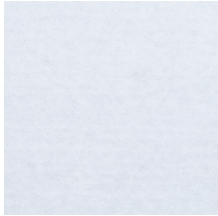
ACOUSTIX - SPOKE
BLANK

LUMENWERX

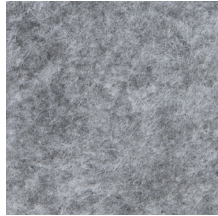
Project: _____

Type: _____

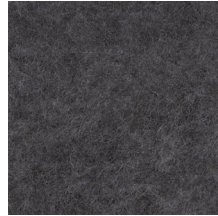
Standard Color Options



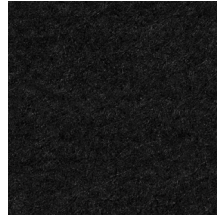
FWN - FROST WHITE



FON - FOG



ION - IRON



TBN - TRUE BLACK



MDN - MIDNIGHT BLUE



LVN - LAVENDER



LEN - LATTE



CYN - CHERRY



PMN - PLUM



FGN - FOREST GREEN

Premium Color Options*



PKN - PAPRIKA



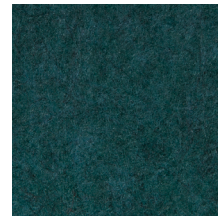
OGN - ORANGE



LNN - LEMON



LMN - LIME



EGN - EVERGREEN



CDN - CLOUDY



LCN - LICHEN



SYN - SKY



BLN - BLUEBERRY



NVN - NAVY



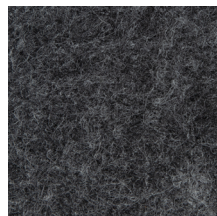
IVN - IVORY



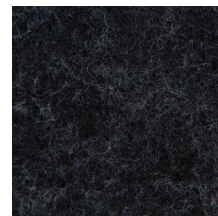
SLN - STEEL



CNN - CARBON



GHN - GRAPHITE



CLN - CHARCOAL



BHN - BLUSH



CFN - CAFÉ



GRN - GREIGE



MON - MOCHA



ESN - ESPRESSO

*Please consult factory
for more color options.
*Lead time may vary.

VIA 1.5 & 2

ACOUSTIX - SPOKE
BLANK

LUMENWERX

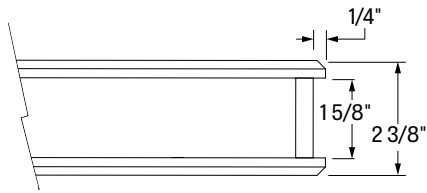
Project: _____

Type: _____

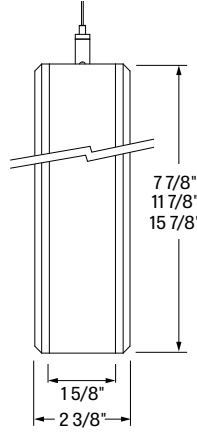
Dimensions

Via 1.5 Acoustix Blank Pendant

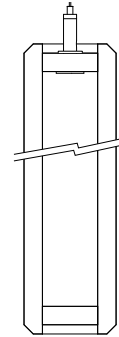
Bottom view



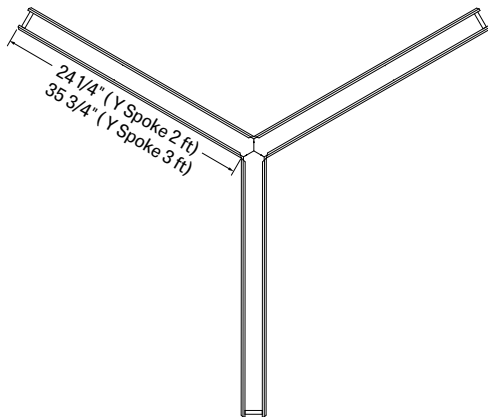
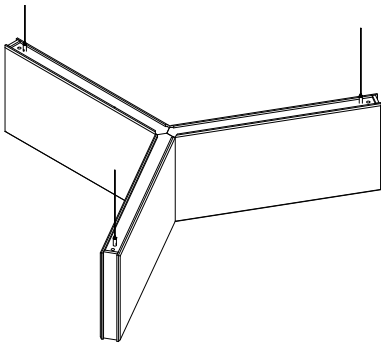
Side view



Section view

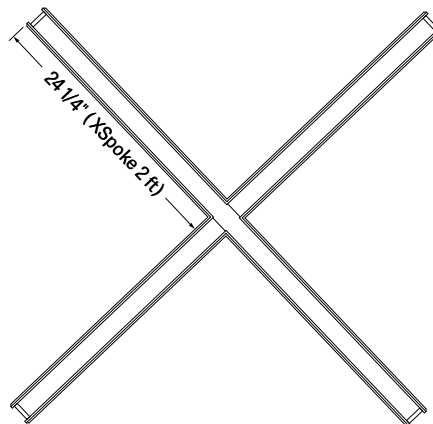
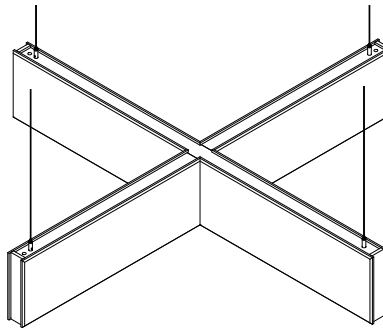


Via 1.5 Acoustix Pendant Y Spoke



Bottom View

Via 1.5 Acoustix Pendant X Spoke



Bottom View

VIA 1.5 & 2

ACOUSTIX - SPOKE
BLANK

LUMENWERX

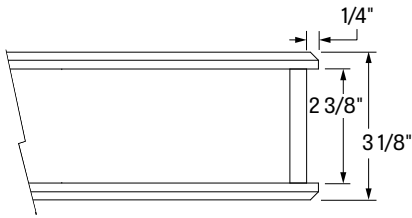
Project: _____

Type: _____

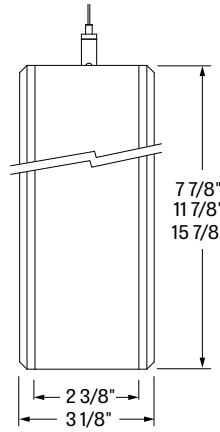
Dimensions

Via 2 Acoustix Blank Pendant

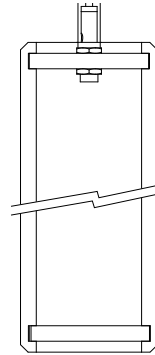
Bottom view



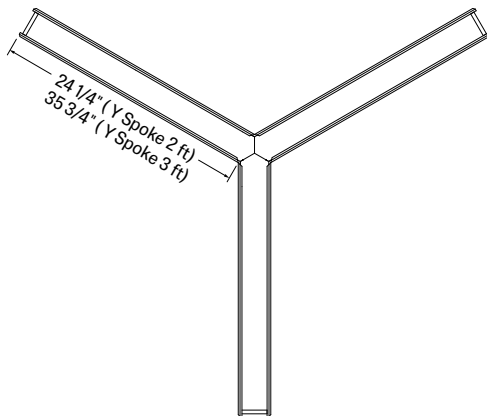
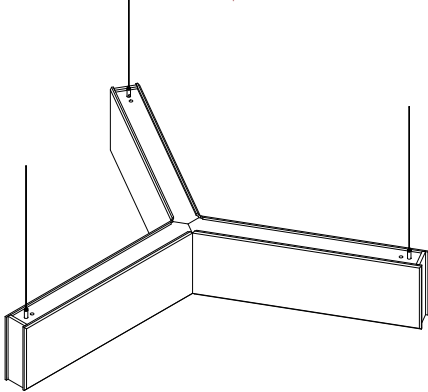
Side view



Section view

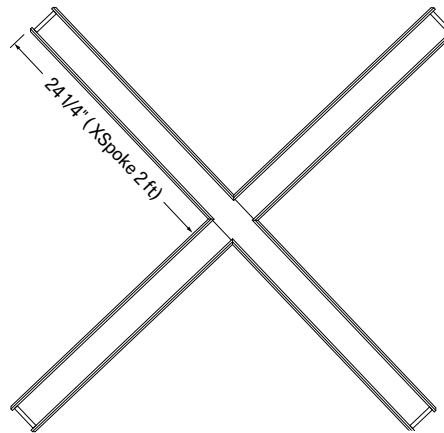
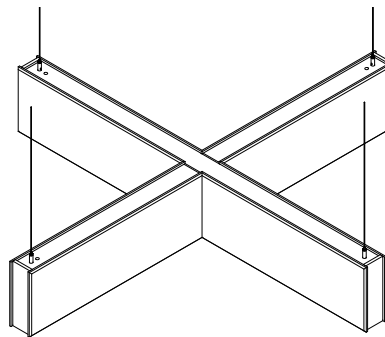


Via 2 Acoustix Pendant Y Spoke



Bottom View

Via 2 Acoustix Pendant X Spoke



Bottom View

VIA 1.5 & 2

ACOUSTIX - SPOKE
BLANK

LUMENWERX

Project: _____

Type: _____

Acoustic Calculator

Using the Lumenwerx Acoustix Value Calculator table, you can determine the number of acoustic luminaires required in a space by fixture type. We have three levels of recommended sound reduction: good, better, and best. Choosing one of these options will reduce the sound accordingly. The best option indicates the best acoustic improvement. Calculations are based on a standard ceiling height of 9 feet.



- ① Calculate the square feet of your room (L x W).
- ② Choose the level of acoustical improvement you are looking for, and find the corresponding value based on your room dimension and luminaire configuration.

% in reduction in reverberation time		
😊	GOOD	25%
😊😊	BETTER	40%
😊😊😊	BEST	50%

BODY	HEIGHT	Room dimensions under 300 sq ft			Room dimensions over 300 sq ft		
		GOOD 😊	BETTER 😊😊	BEST 😊😊😊	GOOD 😊	BETTER 😊😊	BEST 😊😊😊
Y Spoke 2 ft	8"	29	14	9	44	23	15
	12"	44	21	12	68	33	21
	16"	57	29	18	87	44	29
Y Spoke 3 ft	8"	43	20	14	65	34	23
	12"	65	32	18	101	50	32
	16"	86	43	27	131	65	43
X Spoke 2 ft	8"	38	18	12	58	30	20
	12"	58	28	16	90	44	28
	16"	76	38	24	116	58	38

- ③ Use the Lumenwerx Acoustix Value Formula to determine the number of luminaires needed in the room.

$$\text{Square feet} \div \text{Value} = \text{Number of luminaires}$$

Example:

Luminaires: Via 1.5 Acoustix Pendant Y Spoke 2 ft, 12" high
Room square feet: L: 20 ft x W: 18 ft = 360 sq ft
Desired acoustical improvement: Better = 33
Number of luminaires needed in the room: 360 ÷ 33 = **11 luminaires**

NOTES:

- You can mix lit and blank fixtures.
- Lumenwerx acoustic calculators were developed to act as a guide. For precise acoustic performance in a space, please consult an acoustician.

VIA 1.5 & 2

ACOUSTIX - SPOKE
BLANK

LUMENWERX

Project: _____

Type: _____

Technical Specifications

LUMINAIRE SHAPE

Via Acoustix Spoke is available in 2 shapes, Y and X spoke, and 3 height options, 8", 12", and 16". Y spoke comes in 2' and 3' options, and X spoke comes in 2' only.

MOUNTING OPTIONS

For cable-mounted fixtures - 53WAC36 (5" + 3" non-powered white canopies and 36" aircraft cables)

For stem mounted fixtures - 55WSW18 (5" + 5" non-powered white canopies and 18" white stems)

Caddy clips, if required specify under OPTIONS

FINISH

Interior - 95%, reflective matte powder coated white paint

Exterior - matte white powder coating

ACOUSTIC FINISH

Material is 100% polyester containing up to 50% of recycled plastic bottles (PET) with an ASTM E-84 Class A fire rating and is moisture resistant.

CARE:

Remove dust and debris with a clean, dry, soft, lint-free cloth, or vacuum.

CONSTRUCTION

Housing - Extruded aluminum (0.095" nominal) up to 90% recycled content

Interior brackets - Die formed cold rolled sheet steel 18 gauge thick

End caps - Die cast aluminum (0.95" nominal)

Hanger - Chromed Griplock securely attached with spring steel hardware in end caps and/or joiners

Aircraft cable suspension - 7x7 braids aluminum aircraft cable 0.06" thick

Stem - 0.5" diameter threaded steel tube matte white or aluminum powder coating. Custom finishes are also available.

WEIGHT

Via 1.5 Acoustix Blank (16in fixture)

Via 1.5 Acoustix Blank Spoke Y 2ft - 2.42lbs - 1.1kg

Via 1.5 Acoustix Blank Spoke Y 3ft - 3.67lbs - 1.66kg

Via 1.5 Acoustix Blank Spoke X 2ft - 3.32lbs - 1.51kg

Via 2 Acoustix Blank (16in fixture)

Via 2 Acoustix Blank Spoke Y 2ft - 2.54lbs - 1.15kg

Via 2 Acoustix Blank Spoke Y 3ft - 3.87lbs - 1.76kg

Via 2 Acoustix Blank Spoke X 2ft - 3.5lbs - 1.59kg

WARRANTY

Lumenwerx provides a five-year limited warranty of electrical and mechanical performance of the luminaires, including the LED boards, drivers, and auxiliary electronics. Lumenwerx will repair or replace defective luminaires or components at our discretion, provided they have been installed and operated in accordance with our specifications. Other limitations apply, please refer to the full warranty on our website.



WELL for Sound - This luminaire is recommended for use as an acoustical absorption surface to limit reverberation times (RT) in a given space. This luminaire contributes to noise reduction and vibration dampening to promote focus and concentration. Reverberation needs to be calculated in each space based on the materials used.