

PROJECT NAME:	APPROVED BY:
CATALOG NO:	TYPE NO:

TUFFLITE H - EMERGENCY LIGHT

6,12 & 24 Volt • 120-360 Watt Metal

The Tufflite H Series provides durable emergency lighting units with the ability to power remote fixture loads. The cabinet is constructed of sturdy 20 gauge steel and finished in an attractive durable white powder coat. Batteries are long life, maintenance free sealed Lead Calcium, 6, 12 or 24 volt DC. Optional Nickel Cadmium batteries are available.



Construction

- Two fully adjustable, top mounted Par 36 style lighting heads in high impact thermoplastic are supplied as standard. Lighting heads are available with a variety of lamp types and wattage's
- Accommodates up to four lighting heads (2 top, 2 side) Standard units are supplied with two top mounted heads
- 20 gauge steel cabinet with universal knock-out mounting pattern finished in a durable white powder coat finish (other colors available to order)
- Key hole mounting slots and conduit knockouts are provided for additional mounting possibilities

Electrical

- 24 volt units provide for reduced voltage drops over longer cable runs
- Maintenance free sealed Lead Calcium batteries
- Self-test / Self-Diagnostic monitoring available
- Premium, fully automatic current limited "Pulse Switching" charger provides ideal charge conditions for optimum battery performance and life
- External Momentary test switch and dual diagnostic LED indicator displays AC presence and Hi-Charge status

- Field selectable 120 or 277 VAC input
- Short Circuit battery protection
- Line-latch prevents unnecessary discharge of battery during installation, loads will not illuminate until after application of utility power
- Low voltage cut-off prevents battery damage and ensures positive charge acceptance following an extended discharge
- Brownout sensing assures emergency operation during periods of low line voltage

Illumination

- High capacity models support total loads up to 360 watts or provide for extended discharge period
- 6 or 12 volt 9 watt tungsten lamps standard

Certification

- Listed to UL 924, meets NFPA 101 Life Safety Code, NFPA 70-NEC and OSHA requirements



Warranty

- 3 Year Limited Warranty

ORDERING GUIDE – H

Example: H2E200-2-W69-SD

Model	Operating Voltage/Wattage		No. of Top Mounted Lighting Heads	Lighting Heads	Options
H	Lead Calcium Battery	Nickel Cadmium Battery	0 No Lighting Heads	W69 Standard 6 Volt Unit 9 Watt Lamp Head	SD Self Test / Self Diagnostic V Voltmeter A Ammeter TD 15 Minute Time Delay (Specify AC Voltage) CS 3 Ft Conductor Cord & Plug WG7 Wire Guard (28" x 21" x 10") B Black Housing & Heads
	90 Minute Capacity	90 Minute Capacity		W129 Standard 12 Volt Unit 9 Watt Lamp Head	
	2E120 6 Volt – 120 Watt	4N130 12 Volt – 130 Watts	2 Double Lighting Heads	C Capsule Halogen	
	2E200 6 Volt – 200 Watt	4N200 12 Volt – 200 Watts		L65 6V 5W LED PAR 18 Thermoplastic	
	4E160 12 Volt – 160 Watts	6N200 24 Volt - 200 Watts		L67 6V 7W LED PAR 18 Thermoplastic	
	4E180 12 Volt – 180 Watts			L125 12V 5W LED PAR 18 Thermoplastic	
	4E360 12 Volt – 360 Watts			L127 12V 7W LED PAR 18 Thermoplastic	
	6E280 24 Volt – 280 Watts			L245 24V 5W LED PAR 18 Thermoplastic	
	6E360 24 Volt – 360 Watts			L247 24V 7W LED PAR 18 Thermoplastic	
	<i>Note: See Tufflite S Series for other Wattage requirements</i>				
H					

Fill in fields from categories above and complete type and part number.

Type Number:	Full Part Number:
---------------------	--------------------------

Tufflite H - Emergency Light

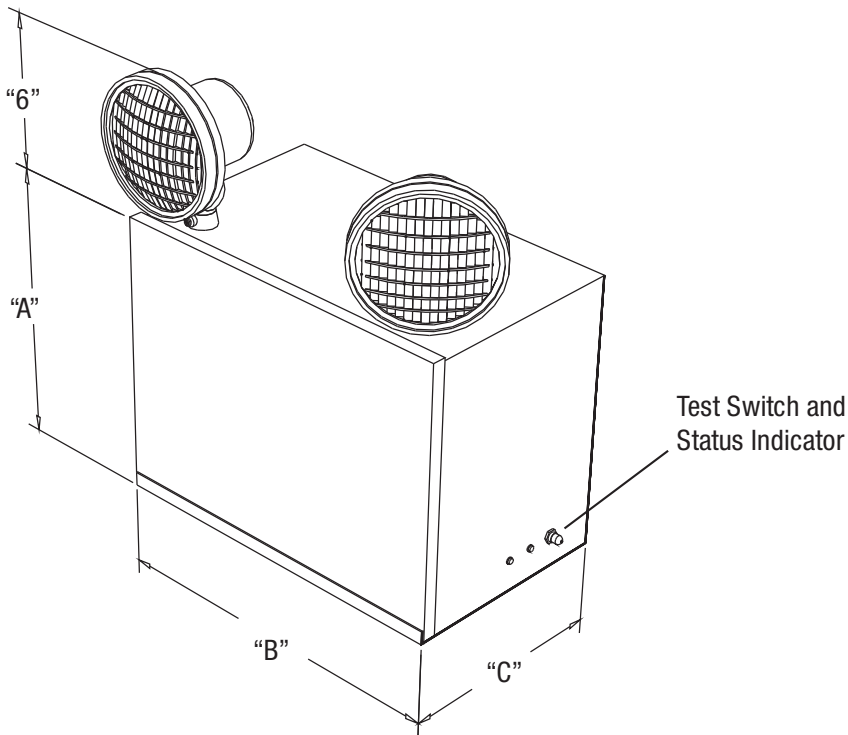
6,12 & 24 Volt • 120-360 Watt Metal

Operating Characteristics

Model	Voltage	Wattage			
		90 min	2 hrs	3 hrs	4 hrs
H2E120	6	120	95	67	49
H2E200	6	200	150	100	75
H4N130	12	130	97	65	48
H4E160	12	160	120	80	60
H4E180	12	180	135	90	67
H4E360	12	360	270	180	138
H6E280	24	280	210	140	105



Shown with optional MR16 lampheads and now available with LED



Optional MR16 Heads Available Lamps	
Voltage/Wattage	Lumens
12V 20 W	225
12V 35W	500
12V 50W	750
6V or 12V 5WLED	300
6 or 12V 7WLED	382

Dimensions

Model	"A"	"B"	"C"
160-200 W	10.0"	13.0"	8.0"
280-360 W	10.0"	18.0"	8.38"