

# LITESPHERE

*The Original Spec Grade Strand Light*



**tivoli**<sup>®</sup>



Project: \_\_\_\_\_ TYPE: \_\_\_\_\_

## Product Features

- VHO LED is 23 Times brighter than our standard output LED
- Up to 90 lumens with a 0.96 watts per globe
- 12V DC Low voltage system for long runs
- IP65
- cULus
- 3 Year warranty



Dimmable



Warranty

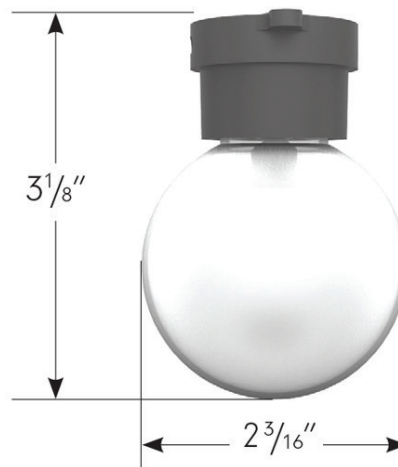


IP65



UL LISTED

## Dimensions



## Litesphere Ordering Guide

**WARNING:** For suspension application, catenary cable is required to support the product, otherwise the warranty will be void.

Product	Wire	Spacing	LED Type	CCT	Globe	Voltage
<b>LSL</b>	-	-	<b>CS</b>	-	-	<b>12</b>
Litesphere	<b>B</b> Black <b>W</b> White	<b>CS</b> Custom	<b>V</b> Very High Output <b>H</b> High Output <b>S</b> Standard Output	<b>19</b> 1900K <b>27</b> 2700K <b>30</b> 3000K <b>35</b> 3500K <b>40</b> 4000K <b>50</b> *5000K <b>AM</b> *Amber <b>RB</b> *Royal Blue <b>RD</b> *Red <b>GN</b> *Green <b>YL</b> *Yellow	<b>C</b> Clear <b>F</b> Frosted <b>Y</b> Yellow <b>R</b> Red <b>O</b> Orange <b>G</b> Green <b>B</b> Blue <b>P</b> Purple <b>Z</b> Varied Colors	<b>12</b> 12V DC

NOTE: For standard on-center spacing of 6", 12', 18', and 24" please refer to our Litesphere 2.0 specification



Tivoli manufactures Litesphere to your specified lengths. Individual lengths and runs must be specified at time of ordering as a separate line item. See below for run length ordering information

For colored globes, 3500K recommended.

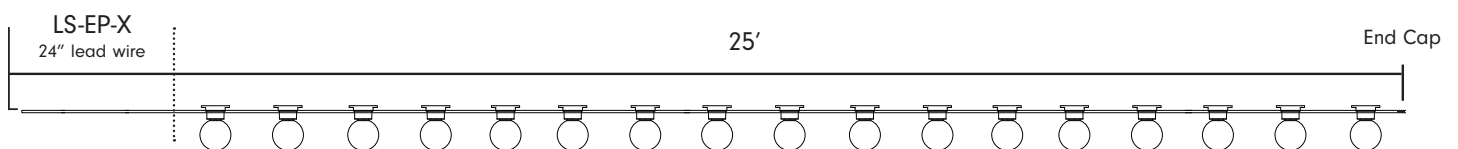
\*Available in VHO LED only

## Lengths, Runs and End-Prep Ordering Guide

With the example below, you will receive 3 runs at 25' with a standard factory 2' power lead in black or white wire.

### Example: L25-3

**L25** - **3**  
Length in feet      Number of Runs



#### Run and Lengths\*

**L\_\_-X**

**L\_\_** = Length in feet are placed after the "L"

**XX** = Number of runs for each length

#### End-Prep\*

**LS-EP-X**

**X** = B (Black), W (White)

Standard 24" factory lead wire included with each run

#### Extra End-Prep

**LS-XEP-X-XX**

**X** = B (Black), W (White)

**XX** = Length in feet (18ft max)

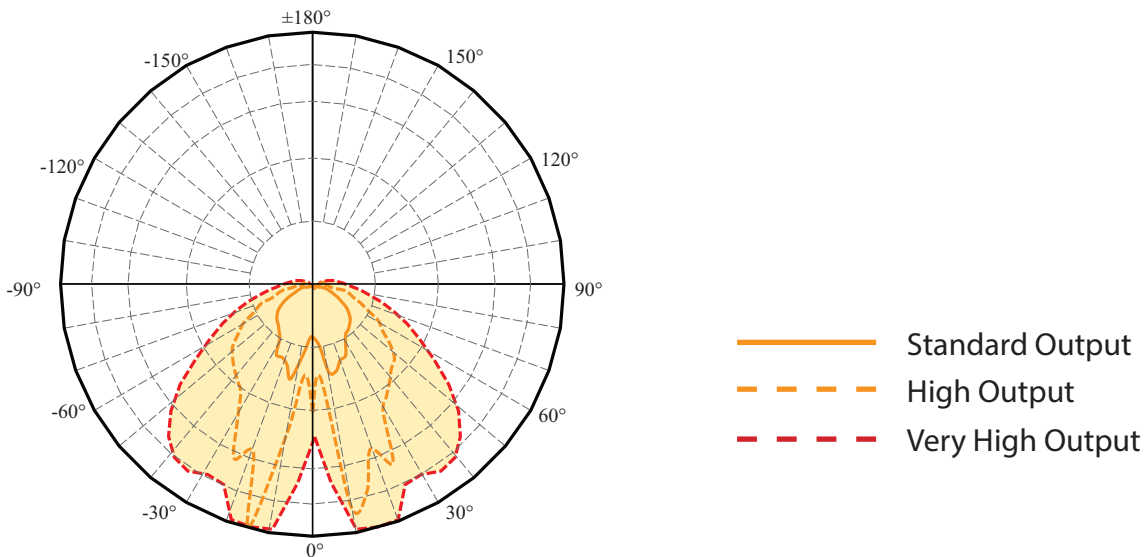
If extra lead wire is needed please add above part number

\*REQUIRED

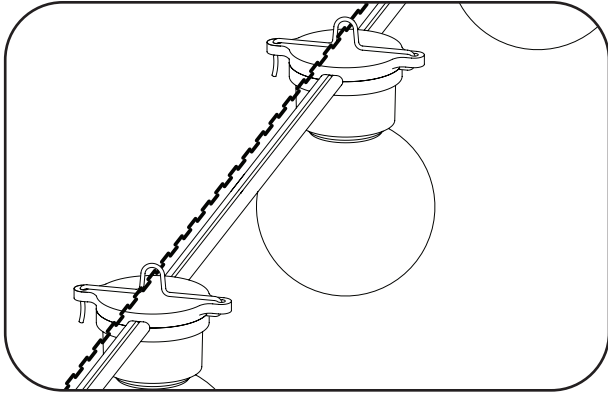
## Specifications

Output - Based 3000K Clear Globe	Standard Brightness	Hight Output	Very High Output
Efficacy	40	46	94
Lumens/globe	6	15	90.2
<b>Electrical</b>			
Input Voltage	12V DC		
Power Consumption (W/LED)	0.09	0.23	0.96
<b>Control</b>			
Control System	0-10V, ELV, MLV, DMX 512		
<b>Physical</b>			
Dimensions	2 3/16"W x 3 1/8"H		
Socket Housing	PVC		
American Wire Gauge	16 AWG		
Globe	PC		
Mounting	Surface Mount, Suspended		
Operating Temperature	-20°C to 50°C (-4°F to 122°F)		
Storage Temperature	-40°C to 80°C (-40°F to 176°F)		
<b>Certification and Testing</b>			
Certification	cULus		
Environment	Wet Location		
IP Rating	IP65		
Warranty	3 Years		

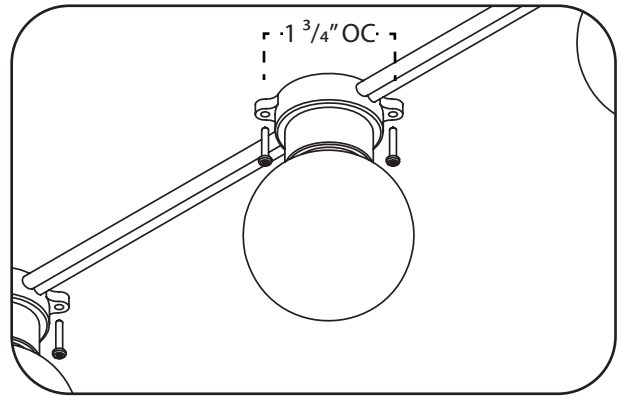
## Photometrics



**Mounting Options**



Catenary cable hangers  
(Hanger clips included, cable available)



Direct/Surface

**Mounting Accessories**



**LS-CABLE-60 Catenary Cable Kit - 60'**  
(1/8" galvanized cable includes 2 cable locks for use with loads up to 200lbs)

**LS-CABLE-110 Catenary Cable Kit - 110'**  
(1/8" galvanized cable includes 2 cable locks for use with loads up to 200lbs)

**LS-CABLE-500 Catenary Cable Kit - 500'**  
(1/8" galvanized cable for use with loads up to 200lbs)



**LS-LOCK-4**  
Cable Lock for 1/8th inch cable, Heavy-duty lockable fasteners support loads up to 200 lbs. Can be easily adjusted without the use of tools. Includes (2) Locks, (1) cable release key.



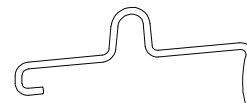
**LS-TT**  
Catenary Cable Tensioning Tool up to 880lbs with minimal effort due to the 6:1 gear drive mechanism. Integral torque gauge controls the load applied to the wire, giving consistent tension every time and optimizing the life of the wire.



**LS-UVZP-XX-50**  
X = BK (Black), WH (White)  
50 pc Bag set. UV resistant, heavy duty ties. Maximum weight up to 100 lbs./per tie.



**LS-UVZP-XX-30**  
X = BK (Black), WH (White)  
30 pc Bag set. UV resistant, heavy duty ties. Maximum weight up to 100 lbs./per tie.



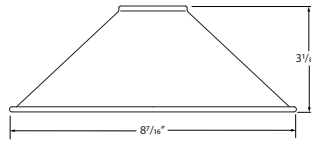
**LS-HANG-CLIP**  
EXTRA individual socket hanger clips for 8 gauge stainless steel aircraft cable (Sold Each)

Note: The above part # is for additional clips only. Each socket will have (1) hanger clip at the time of ordering

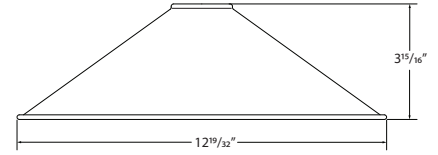
## Light Shades



### HAT



**SHADE-HT-BK-BK-8**  
Light Shade - HAT  
8.3" Black Top, Black Bottom

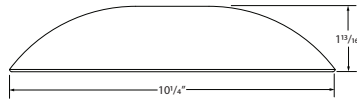


**SHADE-HT-BK-BK-13**  
Light Shade - HAT  
12.6" Black Top, Black Bottom  
**\*SHADE-HT-BK-CO-13**  
Light Shade - HAT  
12.6" Black Top, Copper Bottom

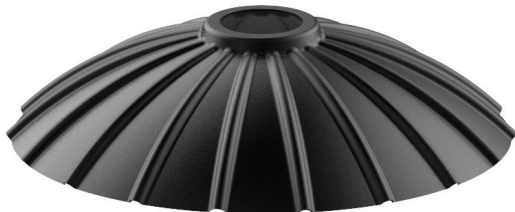
\*Consult factory for lead time and MOQ



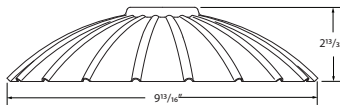
### DISH



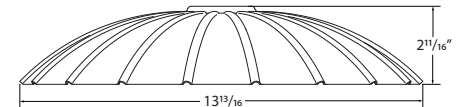
**SHADE-DS-BK-BK-10**  
Light Shade - DISH  
10.2" Black Top, Black Bottom



### FLOWER



**SHADE-FL-BK-BK-10**  
Light Shade - FLOWER  
9.8" Light Shade, Black Top, Black Bottom



**SHADE-FL-BK-BK-13**  
Light Shade - FLOWER  
13.8" Light Shade, Black Top, Black Bottom

### Accessories

**SHADE-ADP-LSL-BK-01** Litesphere Light Shade Adapter

PVC Black Adapter - Sold individually. Includes (1) Adapters, (1) Adapter bracket, (2) set screws and (1) Allen Key

**SHADE-ADP-LSL-BK-10** Litesphere Light Shade Adapter

PVC Black Adapter Kit - Sold in packs of 10. Includes (10) Adapters, (10) Adapter bracket, (20) set screws and (1) Allen Key

**SHADE-ADP-LSL-BK-25** Litesphere Light Shade Adapter

PVC Black Adapter Kit - Sold in packs of 25. Includes (25) Adapters, (25) Adapter bracket, (50) set screws and (1) Allen Key

**SHADE-ADP-LSL-BK-50** Litesphere Light Shade Adapter

PVC Black Adapter Kit - Sold in packs of 50. Includes (50) Adapters, (50) Adapter bracket, (100) set screws and (1) Allen Key



## Replacement Parts

**Note:** All replacement globes come with (1) foam washer each.



**LS-CG**  
Clear



**LS-FG**  
Frosted



**LS-YG**  
Yellow



**LS-RG**  
Red



**LS-OG**  
Orange



**LS-GG**  
Green



**LS-BG**  
Blue



**LS-PG**  
Purple



Very High Output



Standard & High Output

**LSL-19-V-12**  
12V Wedge base  
1900K  
**LSL-27-V-12**  
12V Wedge base  
2700K  
**LSL-30-V-12**  
12V Wedge base  
3000K  
**LSL-35-V-12**  
12V Wedge base  
3500K  
**LSL-40-V-12**  
12V Wedge base  
4000K  
**LSL-50-V-12**  
12V Wedge base  
5000K  
**LSL-AM-V-12**  
12V Wedge base  
Amber

**LSL-RD-V-12**  
12V Wedge base  
Red  
**LSL-RB-V-12**  
12V Wedge base  
Royal Blue  
**LSL-GN-V-12**  
12V Wedge base  
Green  
**LSL-YL-V-12**  
12V Wedge base  
Yellow

**STANDARD**  
**LSL-19-S-12**  
12V Wedge  
base  
1900K  
**LSL-27-S-12**  
12V Wedge  
base  
2700K  
**LSL-30-S-12**  
12V Wedge  
base  
3000K  
**LSL-35-S-12**  
12V Wedge  
base  
3500K  
**LSL-40-S-12**  
12V Wedge  
base  
4000K

**HIGH OUTPUT**  
**LSL-19-H-12**  
12V Wedge base  
1900K  
**LSL-27-H-12**  
12V Wedge base  
2700K  
**LSL-30-H-12**  
12V Wedge base  
3000K  
**LSL-35-H-12**  
12V Wedge base  
3500K  
**LSL-40-H-12**  
12V Wedge base  
4000K

## Power Supplies

### ADNM - NON DIMMING

DESCRIPTION	CAT NO	APPLICATION	PRIMARY VOLTAGE	SECONDARY VOLTAGE	CIRCUIT BREAKERS	MAX LOAD	CIRCUIT CAPACITY
ADNM Series Class 2 Transformer	ADNM-60-1-5-12-D	Indoor / Outdoor	100-277V AC 50/60 HZ	12V DC	1	60W	5A
	ADNM-80-1-5-12-D				1	60W	5A
	ADNM-150-2-5-12-D				2	2x60W	2x5A
	ADNM-240-3-5-12-D				3	3x60W	3x5A
	ADNM-320-4-5-12-D				4	4x60W	4x5A

### ADNM - 0-10V DIMMING

DESCRIPTION	CAT NO	APPLICATION	PRIMARY VOLTAGE	SECONDARY VOLTAGE	CIRCUIT BREAKERS	MAX LOAD	CIRCUIT CAPACITY
ADNM Series Class 2 Transformer	ADNM-60-1-5-12-DOT	Indoor / Outdoor	100-277V AC 50/60 HZ	12V DC	1	60W	5A
	ADNM-80-1-5-12-DOT				1	60W	5A
	ADNM-150-2-5-12-DOT				2	2x60W	2x5A
	ADNM-240-3-5-12-DOT				3	3x60W	3x5A
	ADNM-320-4-5-12-DOT				4	4x60W	4x5A

### ADNM - DMX SINGLE ADDRESS

DESCRIPTION	CAT NO	APPLICATION	PRIMARY VOLTAGE	SECONDARY VOLTAGE	CIRCUIT BREAKERS	MAX LOAD	CIRCUIT CAPACITY
ADNM Series Class 2 Transformer	ADNM-60-1-5-12-DIN	Indoor / Outdoor	100-277V AC 50/60 HZ	12V DC	1	60W	5A
	ADNM-80-1-5-12-DIN				1	60W	5A
	ADNM-150-2-5-12-DIN				2	2x60W	2x5A
	ADNM-240-3-5-12-DIN				3	3x60W	3x5A
	ADNM-320-4-5-12-DIN				4	4x60W	4x5A

### ADNM - DMX MULTI ADDRESS

DESCRIPTION	CAT NO	APPLICATION	PRIMARY VOLTAGE	SECONDARY VOLTAGE	CIRCUIT BREAKERS	MAX LOAD	CIRCUIT CAPACITY
ADNM Series Class 2 Transformer	ADNM-150-2-5-12-DIN-2	Indoor / Damp	100-277V AC 50/60 Hz	12V DC	2	2x60W	5A
	ADNM-240-3-5-12-din-3				3	3x60W	3x5A

### INFINITY - MLV / ELV / 0-10V / PWM / TRIAC

DESCRIPTION	CAT NO	APPLICATION	PRIMARY VOLTAGE	SECONDARY VOLTAGE	CIRCUIT BREAKERS	MAX LOAD	MIN LOAD	CIRCUIT CAPACITY
Infinity Series Class 2 Transformer	INF-J-30-1-2-5-12	Indoor / Outdoor	100 - 277V AC	12V DC	1	30W	3W	2.5A
	INF-J-60-1-5-12				1	60W	6W	5A
	INF-J-180-3-5-12				3	3x60W	3x6W	3x5A
	INF-J-300-5-5-12				5	5x60W	5x6W	5x5A



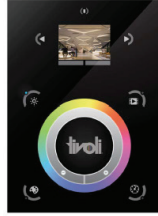
## Controls



Touchscreen

### **TVOQ-1-WH**

WH (White only)  
16 DMX channel, 16 scene,  
4 zone, glass touch screen



Touchscreen

### **TVOQ-10-XX-7**

XX = BK (Black), WH (White)  
1024 DMX channel, 500 scene,  
10 zone, glass touch screen



Touchscreen

### **TVOQ-2-XX**

XX = BK (Black), WH (White)  
512 DMX channel, 99 scene,  
1 zone, glass touch screen